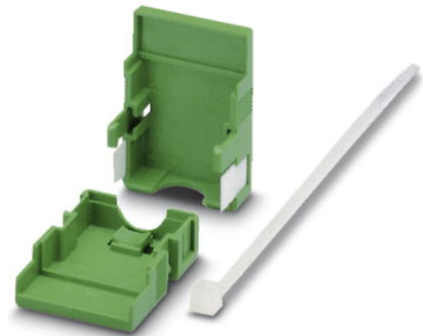


# KGG-MC 1,5/ 4

Order No.: 1834369



<http://eshop.phoenixcontact.de/phoenix/treeViewClick.do?UID=1834369>

Cable housing, Pitch: 3.81 mm, Number of positions: 4, Dimension a: 17.63 mm, Color: green

Commercial data	
EAN	4017918051884
Pack	10 pcs.
Customs tariff	85472000
Weight/Piece	0.00453 KG
Catalog page information	Page 190 (CC-2009)

### Product notes

WEEE/RoHS-compliant since: 01/01/2003



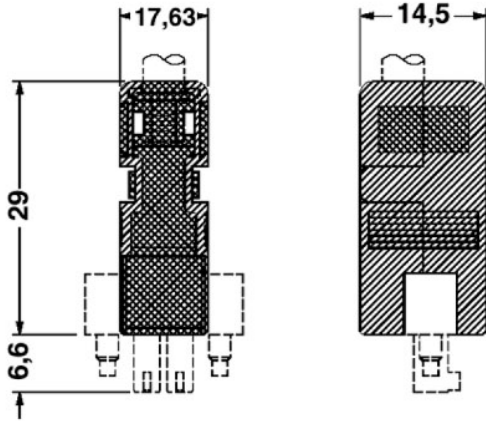
<http://www.download.phoenixcontact.com>  
Please note that the data given here has been taken from the online catalog. For comprehensive information and data, please refer to the user documentation. The General Terms and Conditions of Use apply to Internet downloads.

### Accessories

Item	Designation	Description
<b>Marking</b>		
1007248	SBS10:UNBEDRUCKT	Marker cards, unprinted, for individual labeling with the M-PEN, 250-section, perforated, white plastic

**Diagrams/Drawings**

Dimensioned drawing



**Address**

PHOENIX CONTACT Deutschland GmbH  
Flachmarktstr. 8  
32825 Blomberg, Germany  
Phone +49 5235 3 12000  
Fax +49 5235 3 41200  
<http://www.phoenixcontact.de>



© 2010 Phoenix Contact  
Technical modifications reserved;

单击下面可查看定价，库存，交付和生命周期等信息

[>>Phoenix Contact \(菲尼克斯\)](#)