

## Sleeve housing for cable connector - RC-000000Z100 - 1593037

Please be informed that the data shown in this PDF Document is generated from our Online Catalog. Please find the complete data in the user's documentation. Our General Terms of Use for Downloads are valid (<http://download.phoenixcontact.com>)

Sleeve housing for cable connector, angled, Screw locking, M23, Shielded: No, Cable cross section: 6 mm...10 mm



### Key commercial data

|                                      |            |
|--------------------------------------|------------|
| Packing unit                         | 1 1        |
| Weight per Piece (excluding packing) | 141.77 GRM |
| Custom tariff number                 | 85366990   |
| Country of origin                    | Germany    |

### Technical data

#### General

|                           |   |
|---------------------------|---|
| Note                      | Order information Order contact inserts and cable clamping separately |
| Type of locking           | Screw locking   |
| Contact connection method | Crimp connection  |
| Type of contacts          | Socket  |
| Conductor entry           | 6 mm ... 10 mm  |

#### Ambient conditions

|                      |                   |
|----------------------|-------------------|
| Ambient temperature  | -20 °C ... 125 °C |
| Degree of protection | IP65              |

#### Material

|                            |  |
|----------------------------|--|
| Housing material           | Turned parts: copper zinc alloy (CuZn), die-cast parts: zinc (GD-Zn) |
| Gasket and O-ring material | FPM  |

#### Specifications according to DIN EN 61984:2001

|                          |        |
|--------------------------|--------|
| Installation height max. | 2000 m |
|--------------------------|--------|

# Sleeve housing for cable connector - RC-0000000Z100 - 1593037

## Classifications

eCl@ss

|            |          |
|------------|----------|
| eCl@ss 4.0 | 272607xx |
| eCl@ss 4.1 | 27260701 |
| eCl@ss 5.0 | 27260701 |
| eCl@ss 5.1 | 27260701 |
| eCl@ss 6.0 | 27260708 |
| eCl@ss 7.0 | 27440312 |
| eCl@ss 8.0 | 27440312 |

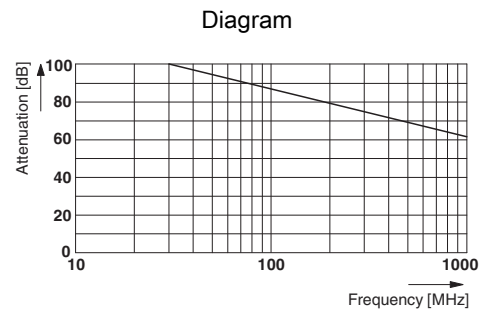
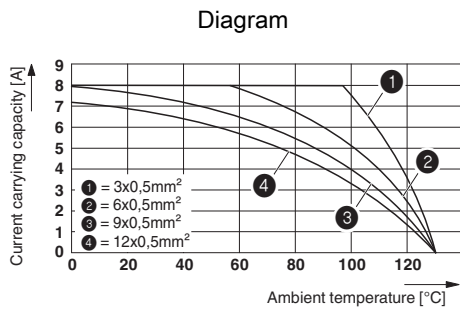
## ETIM

|          |          |
|----------|----------|
| ETIM 3.0 | EC001121 |
| ETIM 4.0 | EC000437 |
| ETIM 5.0 | EC000437 |

## UNSPSC

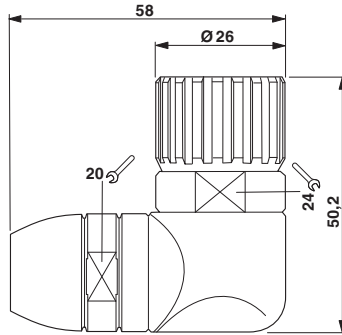
|               |          |
|---------------|----------|
| UNSPSC 6.01   | 43172015 |
| UNSPSC 7.0901 | 43201404 |
| UNSPSC 11     | 43172015 |
| UNSPSC 12.01  | 43201404 |
| UNSPSC 13.2   | 43201404 |

## Drawings



## Sleeve housing for cable connector - RC-0000000Z100 - 1593037

Dimensioned drawing



© Phoenix Contact 2013 - all rights reserved  
<http://www.phoenixcontact.com>

单击下面可查看定价，库存，交付和生命周期等信息

[>>Phoenix Contact\(菲尼克斯\)](#)