

Relay connectors - ST-REL4-KG 48/21-21 - 2823353

Please be informed that the data shown in this PDF Document is generated from our Online Catalog. Please find the complete data in the user's documentation. Our General Terms of Use for Downloads are valid (<http://phoenixcontact.com/download>)




Relay connector, fitted with miniature switching relay, contacts (AgNi): Medium to large loads, 2 PDT, 48 V AC/DC input voltage, with light indicator, can be plugged into basic terminal blocks

The illustration shows version ST-REL 4-KG 24/21-21



Key commercial data

| | |
|--------------------------------------|---------------------------------------------------------------------------------------------------------|
| Packing unit | 1 pc |
| GTIN |  4 017918 077365 |
| Weight per Piece (excluding packing) | 46.86 GRM |
| Custom tariff number | 85364190 |
| Country of origin | Germany |

Technical data

Dimensions

| | |
|--------|---------|
| Width | 27 mm |
| Height | 33 mm |
| Depth | 66.5 mm |

Ambient conditions

| | |
|-----------------------------------------|------------------|
| Ambient temperature (operation) | -20 °C ... 50 °C |
| Ambient temperature (storage/transport) | -20 °C ... 70 °C |

Coil side

| | |
|-------------------------------------------|----------------|
| Nominal input voltage U_N | 48 V AC/DC |
| Input voltage range in reference to U_N | 0.9 ... 1.1 |
| Typical input current at U_N | 9 mA |
| Typical response time | 9 ms (with DC) |

Relay connectors - ST-REL4-KG 48/21-21 - 2823353

Technical data

Coil side

| | |
|---------------------------|----------------------------|
| Typical release time | 10 ms (with DC) |
| Operating voltage display | Yes |
| Protective circuit | Bridge rectifier, varistor |

Contact side

| | |
|---------------------------------------|-----------------------|
| Contact type | Single contact, 2-PDT |
| Contact material | AgNi |
| Maximum switching voltage | 250 V AC/DC |
| Maximum inrush current | 5 A |
| Limiting continuous current | 3 A |
| Interrupting rating (ohmic load) max. | 70 W (at 24 V DC) |
| | 85 W (at 48 V DC) |
| | 60 W (at 60 V DC) |
| | 40 W (at 110 V DC) |
| | 60 W (at 220 V DC) |
| | 750 VA (for 250 V AC) |

General

| | |
|------------------------------------------|-----------------------------------------------|
| Test voltage relay winding/relay contact | 2.5 kV AC (50 Hz, 1 min.) |
| Test voltage PDT/PDT | 1 kV AC (50 Hz, 1 min.) |
| Operating mode | 100% operating factor |
| Mechanical service life | Approx. 2×10^7 cycles |
| Standards/regulations | DIN VDE 0110b, Gr. C for 250 V DC |
| | IEC 60255/DIN VDE 0435 (in relevant parts) |
| | DIN EN 50178/DIN VDE 0160 (in relevant parts) |
| | EN 60730/DIN VDE 0631 |
| | DIN VDE 0160 (in relevant parts) |

Classifications

eCl@ss

| | |
|------------|----------|
| eCl@ss 4.0 | 27371104 |
| eCl@ss 4.1 | 27371104 |
| eCl@ss 5.0 | 27371001 |
| eCl@ss 5.1 | 27371001 |
| eCl@ss 6.0 | 27371001 |
| eCl@ss 7.0 | 27371001 |
| eCl@ss 8.0 | 27371001 |

Relay connectors - ST-REL4-KG 48/21-21 - 2823353

Classifications

ETIM

| | |
|----------|----------|
| ETIM 2.0 | EC000196 |
| ETIM 3.0 | EC000196 |
| ETIM 4.0 | EC000196 |
| ETIM 5.0 | EC000196 |

UNSPSC

| | |
|---------------|----------|
| UNSPSC 6.01 | 30211916 |
| UNSPSC 7.0901 | 39121515 |
| UNSPSC 11 | 39121515 |
| UNSPSC 12.01 | 39121515 |
| UNSPSC 13.2 | 39121515 |

Approvals

Approvals

Approvals

GOST / GOST

Ex Approvals

Approvals submitted

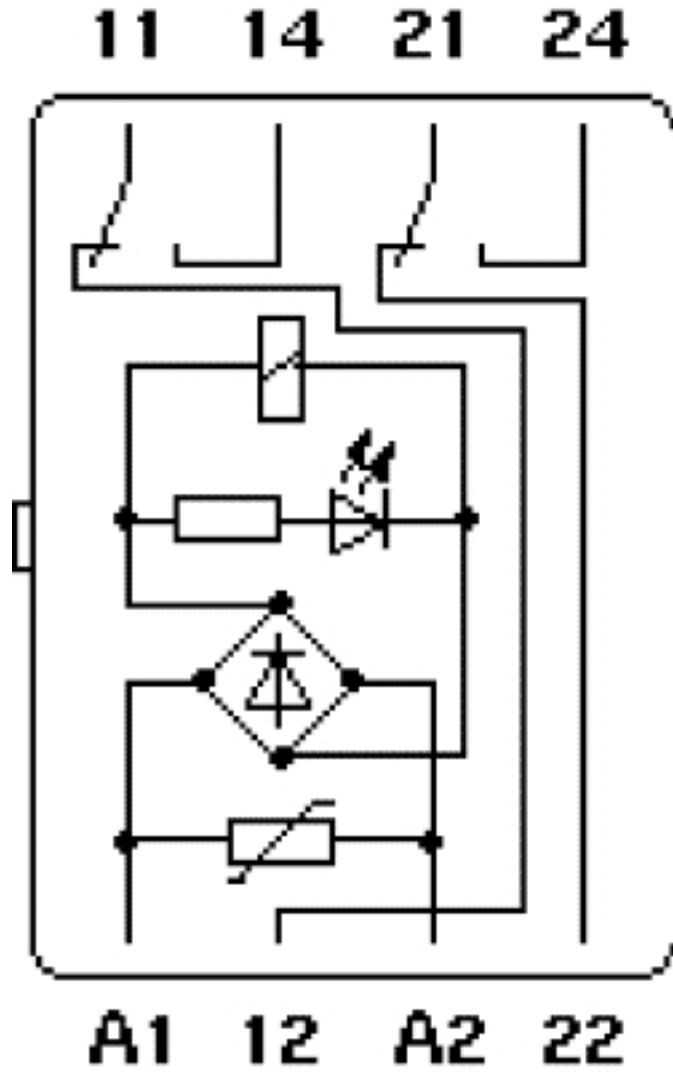
Approval details



Drawings

Relay connectors - ST-REL4-KG 48/21-21 - 2823353

Circuit diagram



单击下面可查看定价，库存，交付和生命周期等信息

[>>Phoenix Contact\(菲尼克斯\)](#)