

Double socket - EO-AB/UT/LED/DUO/V/GFI/15



1263628

<https://www.phoenixcontact.com/us/products/1263628>

Please be informed that the data shown in this PDF document is generated from our Online Catalog. Please find the complete data in the user documentation. Our General Terms of Use for Downloads are valid.



Double socket, Pin connector pattern type AB 15A, Screw connection, gray, for mounting on a DIN rail in the service interface or direct mounting, 125 V AC, 15 A, -20 °C, 60 °C, UL 508

Commercial Data

Item number	1263628
Packing unit	1 pc
Minimum order quantity	1 pc
Note	Made to Order (non-returnable)
Sales Key	B19
Product Key	BE7613
GTIN	4063151375386
Weight per Piece (including packing)	286.6 g
Weight per Piece (excluding packing)	286 g
Customs tariff number	85366990
Country of origin	PL

Double socket - EO-AB/UT/LED/DUO/V/GFI/15



1263628

<https://www.phoenixcontact.com/us/products/1263628>

Technical Data

Product properties

Product type	Socket
Response time	25 ms (6 mA)

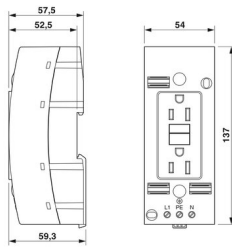
Electrical properties

Nominal voltage U_N	125 V AC (60 Hz)
Nominal current I_N	15 A

LED signaling

Status display	Yes
----------------	-----

Dimensions

Dimensional drawing	
Width	54 mm
Height	137 mm
Depth	57.5 mm

Material specifications

Color	gray
Flammability rating according to UL 94	V2
Insulating material	PA
Contact material	CuZn37

Connector

Type of plug	Pin connector pattern type AB 15A
--------------	-----------------------------------

Environmental and real-life conditions

Ambient conditions

Degree of protection	IP20
Ambient temperature (operation)	-20 °C ... 60 °C

Standards and regulations

Standards

Standards/regulations	UL 508
-----------------------	--------

Double socket - EO-AB/UT/LED/DUO/V/GFI/15



1263628

<https://www.phoenixcontact.com/us/products/1263628>

Mounting

Mounting type	
	for mounting on a DIN rail in the service interface or direct mounting

Double socket - EO-AB/UT/LED/DUO/V/GFI/15

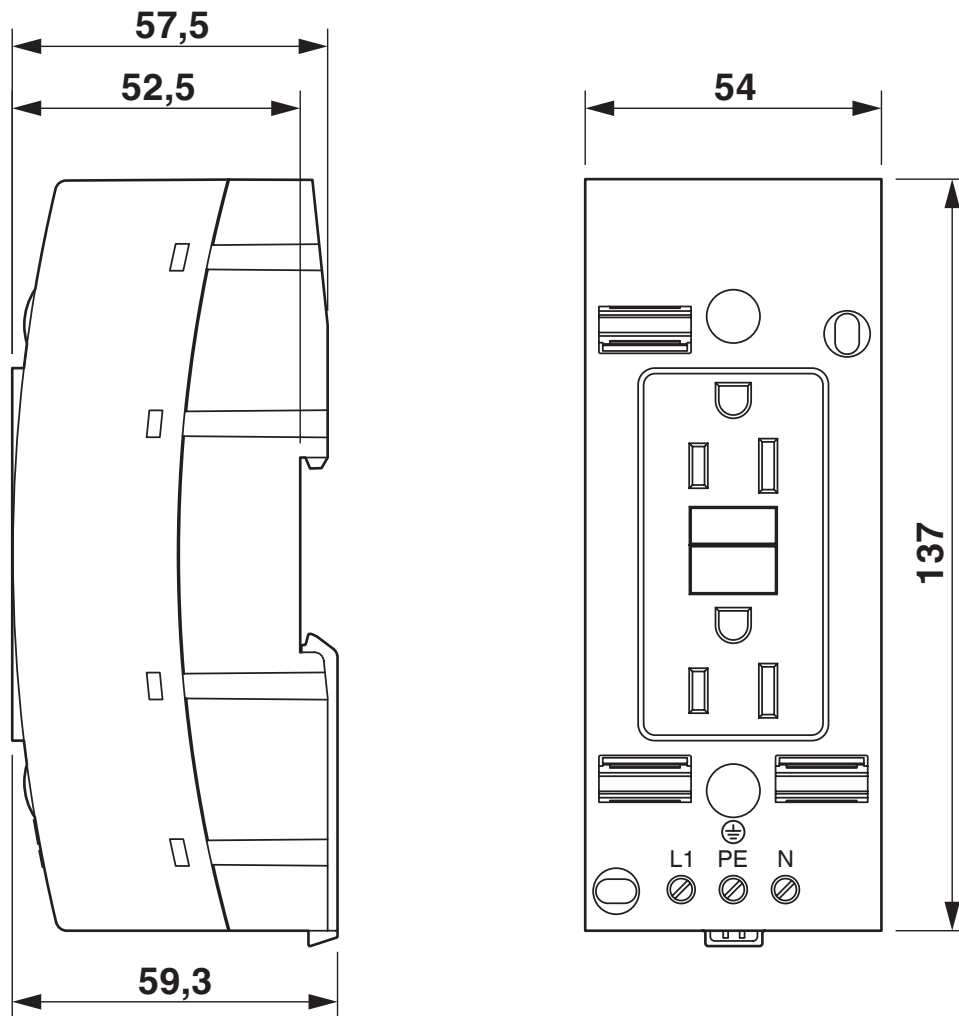


1263628

<https://www.phoenixcontact.com/us/products/1263628>

Drawings

Dimensional drawing

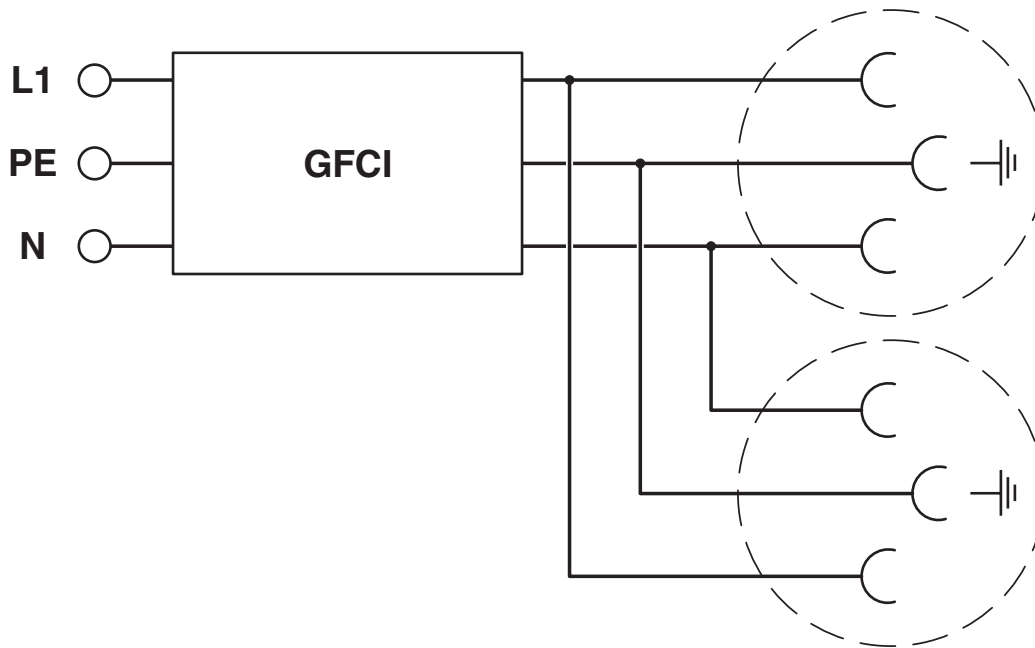


Double socket - EO-AB/UT/LED/DUO/V/GFI/15

1263628

<https://www.phoenixcontact.com/us/products/1263628>

Circuit diagram



Double socket - EO-AB/UT/LED/DUO/V/GFI/15



1263628

<https://www.phoenixcontact.com/us/products/1263628>

Approvals

 cULus Recognized Approval ID: E255026	Nominal Voltage U_N	Nominal Current I_N	Cross Section AWG	Cross Section mm^2
	120 V	15 A	24 - 12	-

Double socket - EO-AB/UT/LED/DUO/V/GFI/15



1263628

<https://www.phoenixcontact.com/us/products/1263628>

Classifications

ECLASS

ECLASS-11.0

27142305

ETIM

ETIM 7.0

EC001663

UNSPSC

UNSPSC 21.0

39121406

Double socket - EO-AB/UT/LED/DUO/V/GFI/15



1263628

<https://www.phoenixcontact.com/us/products/1263628>

Environmental Product Compliance

REACH SVHC

Lead 7439-92-1

Phoenix Contact 2022 © - all rights reserved

<https://www.phoenixcontact.com>

Phoenix Contact USA
586 Fulling Mill Road
Middletown, PA 17057, United States
(+717) 944-1300
info@phoenixcon.com

单击下面可查看定价，库存，交付和生命周期等信息

[>>Phoenix Contact \(菲尼克斯\)](#)