

Connector assembly frame - HC-CIF-B24-BFWD-FH-AL - 1404212

Please be informed that the data shown in this PDF Document is generated from our Online Catalog. Please find the complete data in the user's documentation. Our General Terms of Use for Downloads are valid (<http://download.phoenixcontact.com>)



HEAVYCON plug assembly frame, lower part with double locking latch, for sleeve housing without double locking latch or HC-CIF-.HFFD.. upper part, for type B24 contact inserts

Product Features

- Sturdy metal version
- Open base, pre-assembled cable harnesses can be used
- Standardized design; both PE sheets for inserts are connected conductively
- Safe capacitive PE even when connected slightly askew



Key commercial data

Packing unit	1 1
Weight per Piece (excluding packing)	220.0 GRM
Custom tariff number	85389099
Country of origin	Poland

Technical data

Dimensions

Length	120 mm
--------	--------

Ambient conditions

Ambient temperature (operation)	-40 °C ... 125 °C
---------------------------------	-------------------

General

Design	For B24
Material	Cast aluminum, uncoated
Locking latch material	High-grade steel, handle: PA-GF
Assembly instructions	A double locking latch is not mounted, which means that an assembled cable set can be used more easily

Connector assembly frame - HC-CIF-B24-BFWD-FH-AL - 1404212

Classifications

eCl@ss

eCl@ss 4.0	27140816
eCl@ss 4.1	27140816
eCl@ss 5.0	27143424
eCl@ss 5.1	27143424
eCl@ss 6.0	27143424
eCl@ss 7.0	27440209
eCl@ss 8.0	27440209

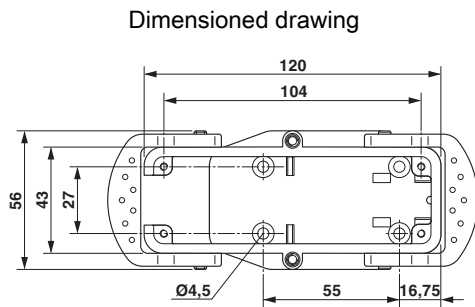
ETIM

ETIM 3.0	EC002310
ETIM 4.0	EC002310
ETIM 5.0	EC002310

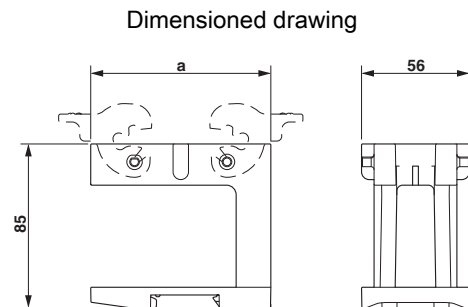
UNSPSC

UNSPSC 6.01	43172601
UNSPSC 7.0901	39121416
UNSPSC 11	43172601
UNSPSC 12.01	39121408
UNSPSC 13.2	39121408

Drawings



Dimensional drawing top view



Dimensional drawing, a = 120 mm

单击下面可查看定价，库存，交付和生命周期等信息

[>>Phoenix Contact\(菲尼克斯\)](#)