

Electronic housing - EG 45-GP/ABS GN - 2764153

Please be informed that the data shown in this PDF Document is generated from our Online Catalog. Please find the complete data in the user's documentation. Our General Terms of Use for Downloads are valid (<http://download.phoenixcontact.com>)



Housing base, with snap foot and test opening with side cover


Illustration shows a fully mounted version of the electronic housing

Product Features

- ✓ Tool-free mounting
- ✓ Date of manufacture and material and part identification embossed on the housing (recyclability)
- ✓ Functional and industry-oriented housing technology
- ✓ Optimum accommodation of electronic components with graded pitches with a design width of 22.5 mm, 45 mm, 67.5 mm, and 90 mm
- ✓ Practical and easy-to-wire conductor connection using extra finely stranded sturdy screw terminal blocks up to 2.5 mm²
- ✓ Fast snap-on mounting on symmetrical DIN rails according to EN 60715
- ✓ Shock and contamination-proof accommodation of electronic components (IP40 housing, IP20 terminal blocks)



Key commercial data

Packing unit	1 PCE
GTIN	 4 017918 065867
Custom tariff number	85369010
Country of origin	GERMANY

Technical data

General

Housing type	Component housing
Housing material	Acryl butadiene styrene (ABS)
Color	green

Dimensions

Electronic housing - EG 45-GP/ABS GN - 2764153

Technical data

Dimensions

Length	75 mm
Constructional height	107.5 mm
Width	45 mm

Technical data

Ambient temperature (operation)	-40 °C ... 80 °C
Inflammability class according to UL 94	HB
Power dissipation at 20°C in the horizontal mounting position	3.4 W 6.1 W
Number of positions	16

Classifications

ETIM

ETIM 2.0	EC001031
ETIM 3.0	EC001031
ETIM 4.0	EC001031
ETIM 5.0	EC001031

UNSPSC

UNSPSC 11	31261501
UNSPSC 12.01	31261501
UNSPSC 13.2	31261501
UNSPSC 6.01	31261501
UNSPSC 7.0901	31261501

eCl@ss

eCl@ss 4.0	27180401
eCl@ss 4.1	27180401
eCl@ss 5.0	27180506
eCl@ss 5.1	27180506
eCl@ss 6.0	27180802
eCl@ss 7.0	27182702

Approvals

Approvals

Electronic housing - EG 45-GP/ABS GN - 2764153

Approvals


Approvals

UL Recognized

Ex Approvals

Approvals submitted

Approval details

UL Recognized 

Accessories

Accessories

Assembly

Printed-circuit board connector - FKCT 2,5/ 8-ST - 1909278



Plug component, Nominal current: 12 A, Rated voltage (III/2): 320 V, Number of positions: 8, Pitch: 5 mm, Connection method: Spring-cage conn., Color: green, Contact surface: Tin

Plug/Adapter

Coding star - CR-MSTB - 1734401

Coding section, inserted into the recess in the header or the inverted plug, red insulating material



Electronic housing - EG 45-GP/ABS GN - 2764153

Accessories

Coding profile - CP-MSTB - 1734634

Coding profile, is inserted into the slot on the plug or inverted header, red insulating material



Plug - MVSTBW 2,5/ 8-STEH - 1784309

Plug component, Nominal current: 12 A, Rated voltage (III/2): 320 V, Number of positions: 8, Pitch: 5 mm, Connection method: Screw connection, Color: green, Contact surface: Tin

Coding star - CR-MSTB - 1734401

Coding section, inserted into the recess in the header or the inverted plug, red insulating material



Coding profile - CP-MSTB - 1734634

Coding profile, is inserted into the slot on the plug or inverted header, red insulating material



Base strip - MSTBO 2,5/ 8-GL-5,08 - 1850495



Header, Nominal current: 8 A, Rated voltage (III/2): 320 V, Number of positions: 8, Pitch: 5.08 mm, Color: green, Contact surface: Tin, Assembly: Soldering

Electronic housing - EG 45-GP/ABS GN - 2764153

Accessories

Printed-circuit board connector - MVSTBW 2,5/ 8-ST - 1792582



Plug component, Nominal current: 12 A, Rated voltage (III/2): 320 V, Number of positions: 8, Pitch: 5 mm, Connection method: Screw connection, Color: green, Contact surface: Tin

Printed-circuit board connector - MVSTBW 2,5/ 8-ST-5,08 - 1792812



Plug component, Nominal current: 12 A, Rated voltage (III/2): 320 V, Number of positions: 8, Pitch: 5.08 mm, Connection method: Screw connection, Color: green, Contact surface: Tin

Printed-circuit board connector - FKCT 2,5/ 8-ST-5,08 - 1902178



Plug component, Nominal current: 12 A, Rated voltage (III/2): 320 V, Number of positions: 8, Pitch: 5.08 mm, Connection method: Spring-cage conn., Color: green, Contact surface: Tin

PCB terminal block base - MKKDSH 3/ 2 - 1721045



PCB terminal block, Nominal current: 24 A, Nom. voltage: 400 V, Pitch: 5 mm, Number of positions: 2, Connection method: Screw connection, Mounting: Soldering, Conductor/PCB connection direction: 0 °, Color: green, The article can be aligned to create different nos. of positions!

PCB terminal block - MKKDSH 3/ 3 - 1721346



PCB terminal block, Nominal current: 24 A, Nom. voltage: 400 V, Pitch: 5 mm, Number of positions: 3, Connection method: Screw connection, Mounting: Soldering, Conductor/PCB connection direction: 0 °, Color: green, The article can be aligned to create different nos. of positions!

PCB terminal block base - MKKDSH 3/ 8 - 1703283

Electronic housing - EG 45-GP/ABS GN - 2764153

Accessories

PCB terminal block, Nominal current: 24 A, Nom. voltage: 400 V, Pitch: 5 mm, Number of positions: 8, Connection method: Screw connection, Mounting: Soldering, Conductor/PCB connection direction: 0 °, Color: green, The article can be aligned to create different nos. of positions!

Required add-on products

Electronic housing - EG 45-AE/ABS GN - 2764409



Housing cover, for connection on one side

Electronic housing - EG 45-A/ABS GN - 2764179



Housing cover, for connection on both sides

Electronic housing - EG 45-AG/ABS GN - 2907363

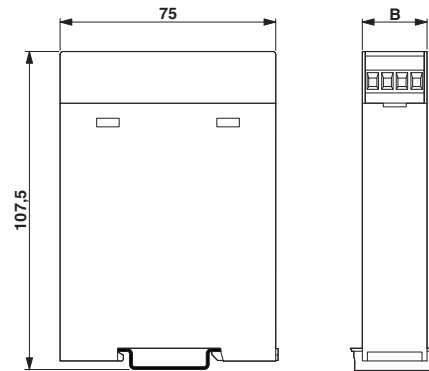


Housing cover, closed

Drawings

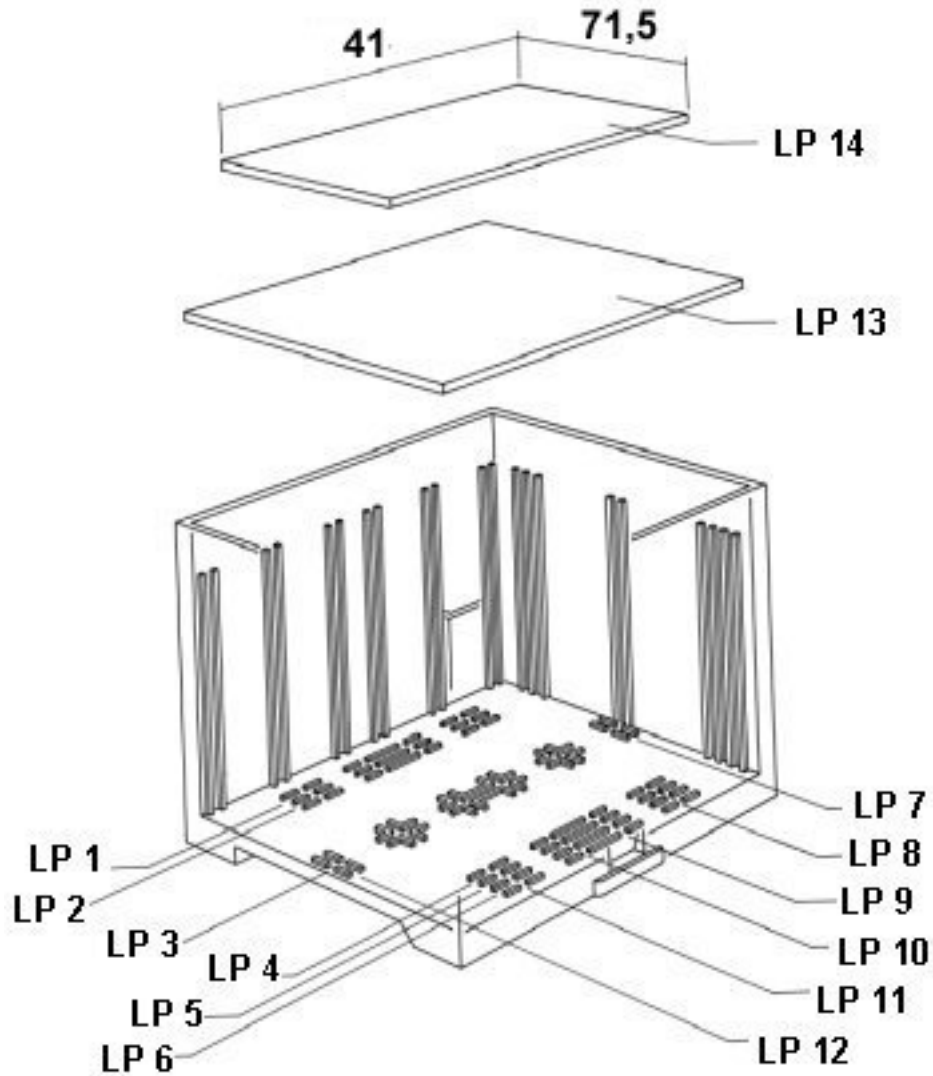
Electronic housing - EG 45-GP/ABS GN - 2764153

Dimensioned drawing



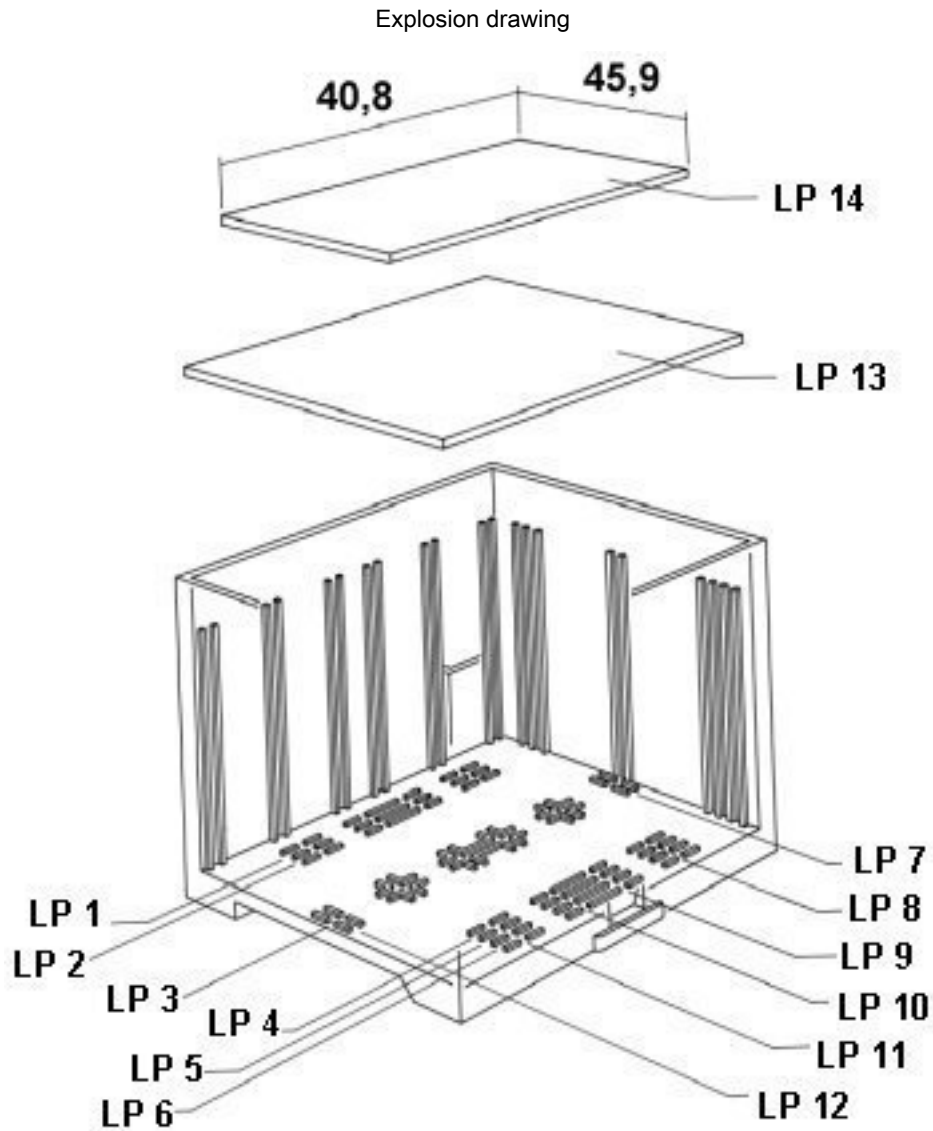
Electronic housing - EG 45-GP/ABS GN - 2764153

Explosion drawing



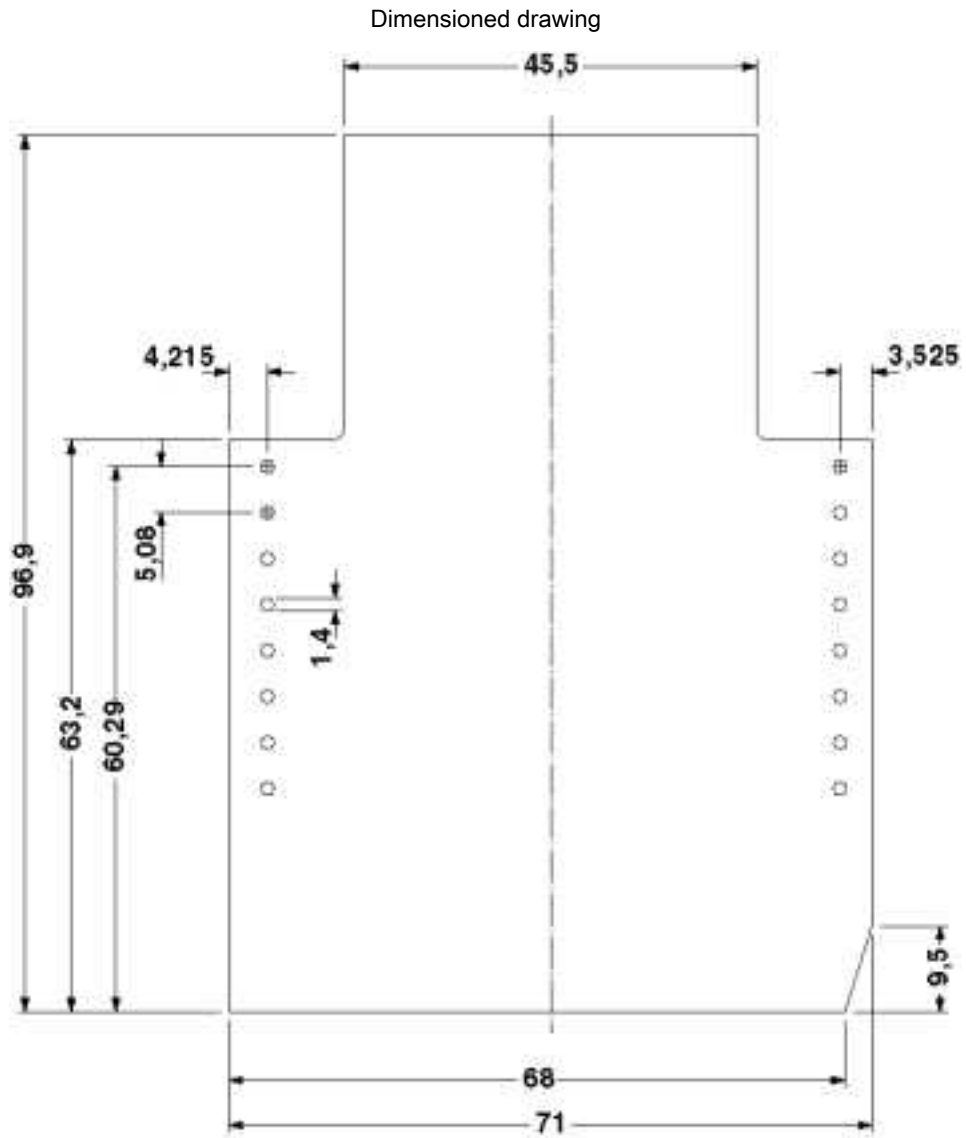
valid for PCB 13

Electronic housing - EG 45-GP/ABS GN - 2764153



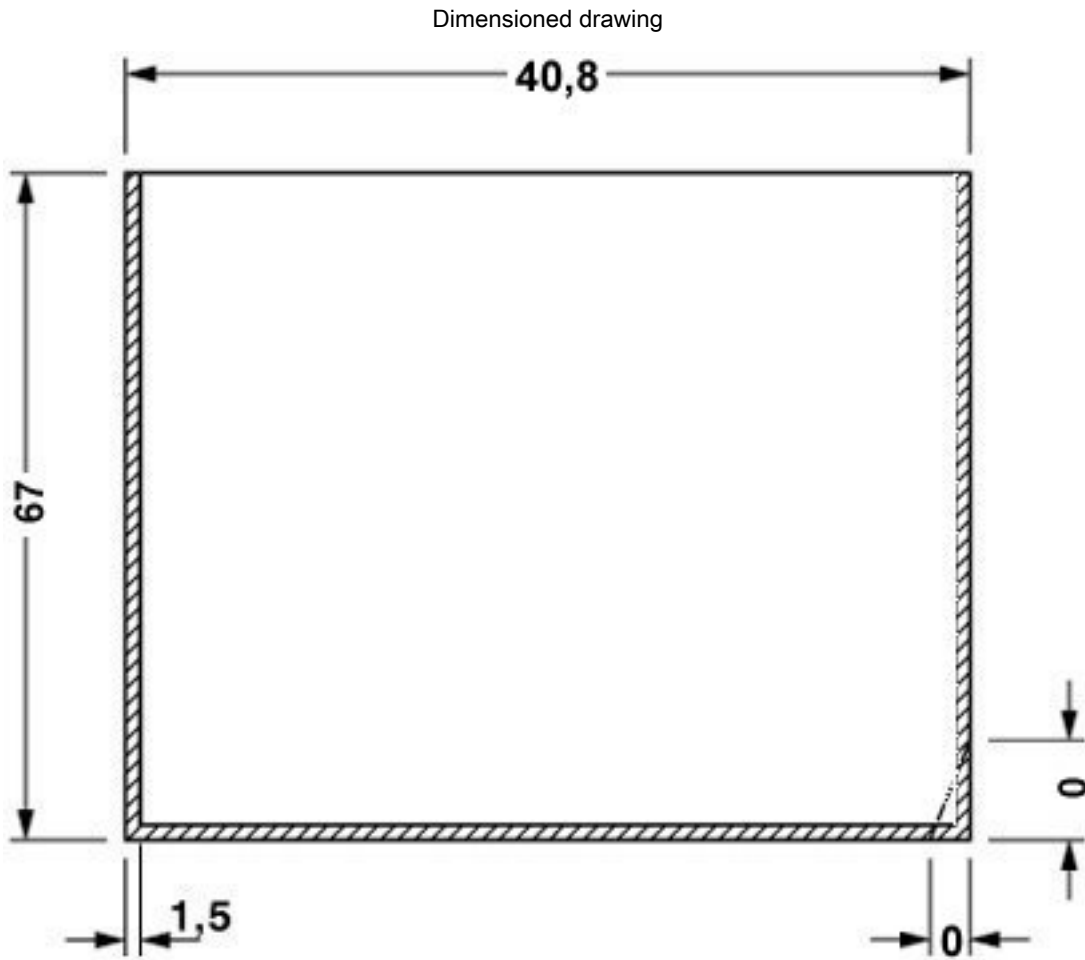
valid for PCB 14

Electronic housing - EG 45-GP/ABS GN - 2764153



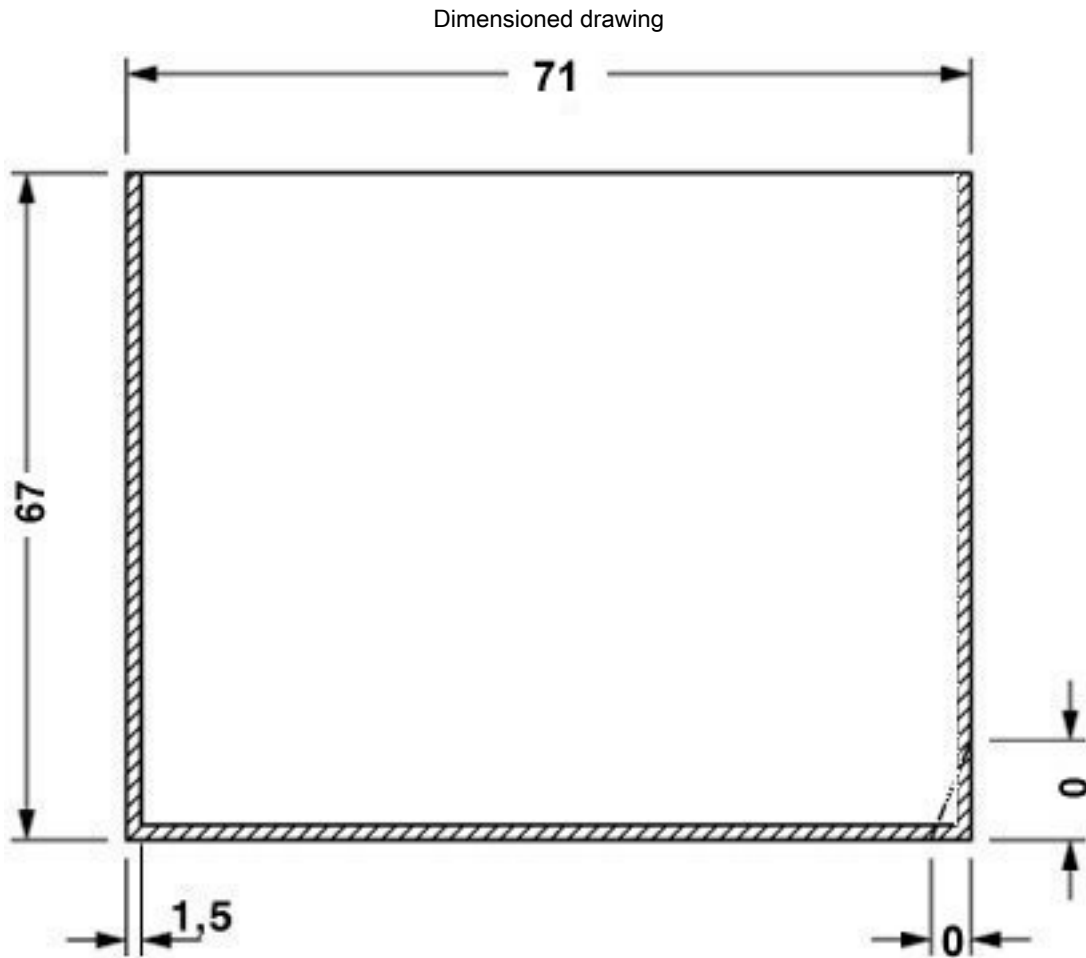
Component mounting side, if the double-level upper part is used

Electronic housing - EG 45-GP/ABS GN - 2764153



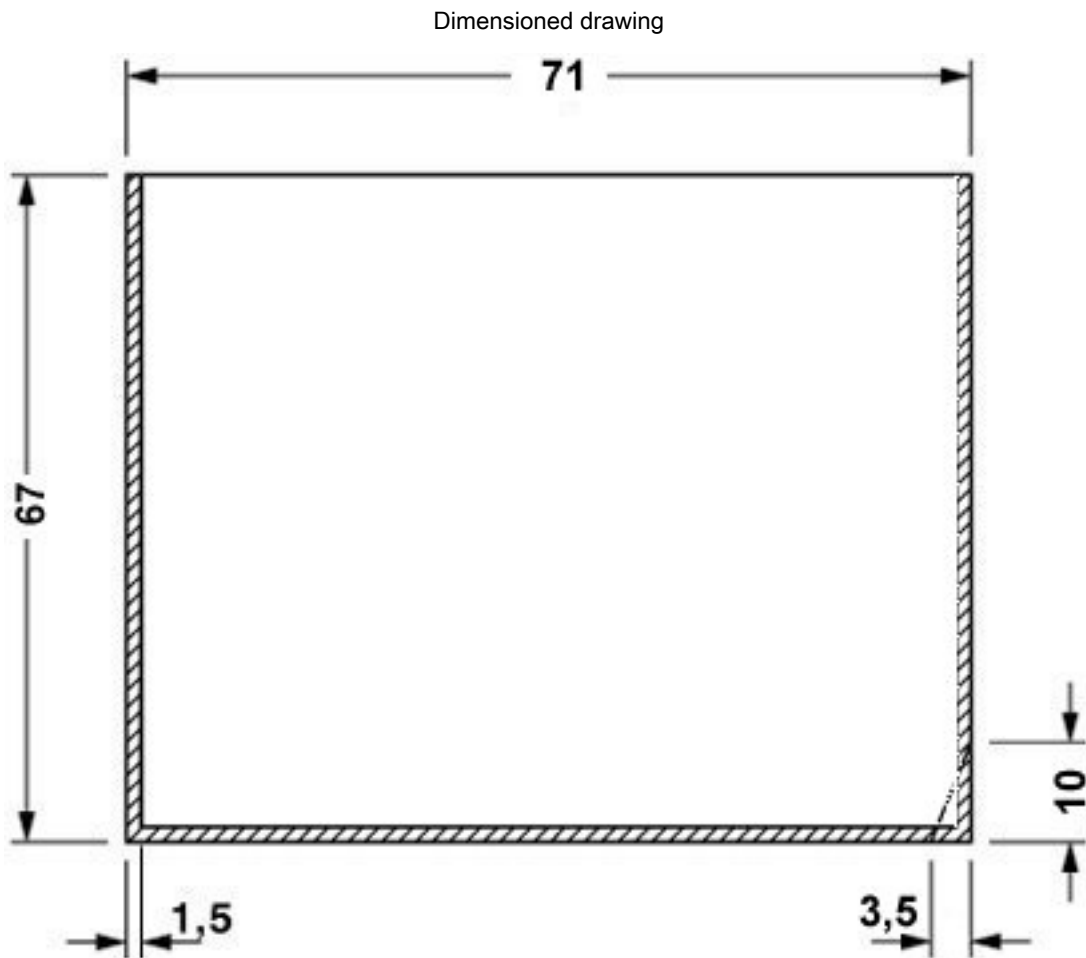
valid for PCB 1; 3; 5 and 6, see explosion drawing

Electronic housing - EG 45-GP/ABS GN - 2764153



valid for PCB 7 and 12, see explosion drawing

Electronic housing - EG 45-GP/ABS GN - 2764153



valid for PCB 10, see explosion drawing

单击下面可查看定价，库存，交付和生命周期等信息

[>>Phoenix Contact\(菲尼克斯\)](#)