

PSD-S OE LED ...

LED permanent light element, 24 V AC/DC



Data sheet
7949_en_02

© PHOENIX CONTACT 2017-08-24

1 Description

This optical signal element is part of a modular signal tower.

According to your requirements, a signal tower can be combined as desired, from a maximum of five signal elements. Set up to a maximum of five optical signal elements or up to four optical and one audible signal element.

Only use an acoustic signal element as the top element.

A bayonet locking system establishes the mechanical and electrical connection between the elements.

Connection elements with spring-cage or screw connection can be used for electrical connection of the signal tower.

Mounting elements for base or tube mounting can be used to mount the signal tower.

Features

- LED permanent light element for 24 V AC/DC
- Colors: Red, green, yellow, blue and clear
- Degree of protection: IP65, when installed or with cover



Make sure you always use the latest documentation.
It can be downloaded from the product at phoenixcontact.net/products.

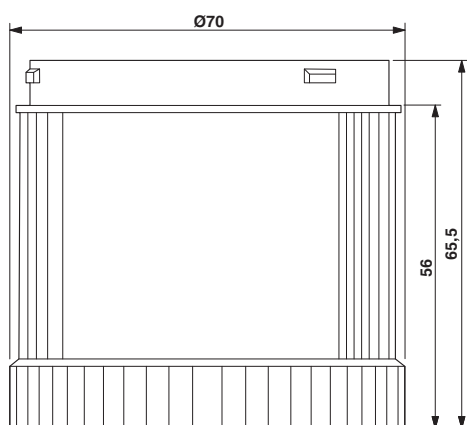
2	Table of contents	
1	Description	1
2	Table of contents	2
3	Ordering data	3
4	Technical data	3
5	Example of a signal tower	4
6	Assembly notes for a signal tower	4
7	Assembling the individual elements.....	5
8	Example for signal tower dimensions	5

3 Ordering data

Description	Type	Order No.	Pcs./Pkt.
LED permanent light element, 24 V AC/DC, red	PSD-S OE LED RD	2700107	1
LED permanent light element, 24 V AC/DC, green	PSD-S OE LED GN	2700119	1
LED permanent light element, 24 V AC/DC, yellow	PSD-S OE LED YE	2700122	1
LED permanent light element, 24 V AC/DC, clear	PSD-S OE LED CL	2700127	1
LED permanent light element, 24 V AC/DC, blue	PSD-S OE LED BU	2700131	1

4 Technical data

Dimensions (in mm)



Diameter	70 mm
Height	65.5 mm

General data

Material	Polycarbonate PC
Calotte color : PSD-S OE LED RD	red
Calotte color : PSD-S OE LED GN	green
Calotte color : PSD-S OE LED YE	yellow
Calotte color : PSD-S OE LED CL	clear
Calotte color : PSD-S OE LED BU	blue
Weight	58 g
Ambient temperature (operation)	-30 °C ... 50 °C
Degree of protection	IP65, when installed or with cover
Mounting position	any
Connection	Rubber seal pre-installed for each element

Electrical data

Input voltage	24 V AC/DC
Inrush current	max. 500 mA
Current consumption	max. 40 mA
Optical signal type	Permanent light
Source of light type	LED
Service life, electrical	max. 100,000 h
Operating time	100 %

Approvals/conformities

Conformance with EMC Directive 2014/30/EU

For the latest approvals, please visit phoenixcontact.net/products.

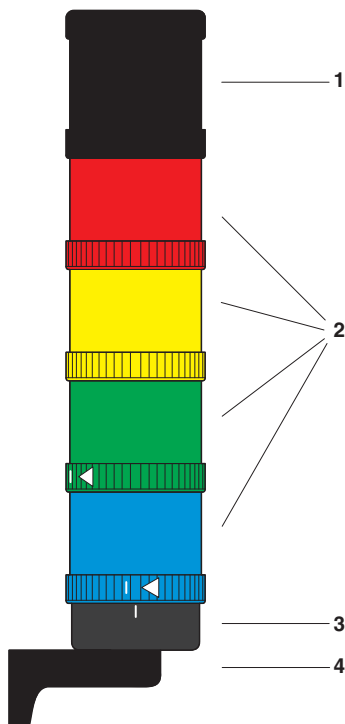
5 Example of a signal tower

Figure 1 Example of a signal tower

Key:

- 1 Audible signal element
- 2 Optical signal element
- 3 Connection element
- 4 Assembly element

6 Assembly notes for a signal tower

- Only use a maximum of five elements within a signal tower.
- Use only one audible element in a signal tower and position this element on top.
- When closing the bayonet locking system, observe the markings (see "Assembling the individual elements").

7 Assembling the individual elements

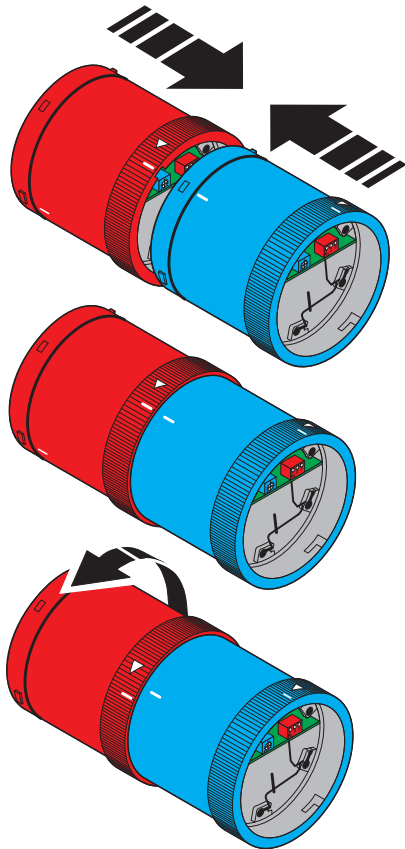


Figure 2 Assembling the individual elements

- Select the elements for your application.
- Connect the elements to be assembled so that the markings are aligned.
- Turn the upper element in the direction of the arrow.

8 Example for signal tower dimensions

The following figure shows the dimensions of a typical signal tower.

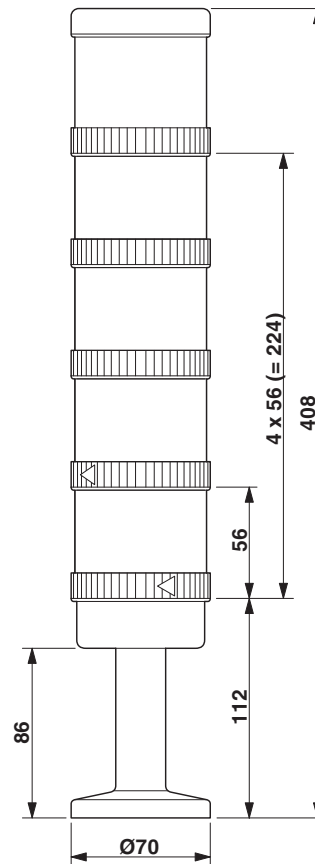


Figure 3 Dimensions of a signal tower (example)

单击下面可查看定价，库存，交付和生命周期等信息

[>>Phoenix Contact \(菲尼克斯\)](#)