


**SAC-3P-M12MS/5,0-PUR/M12FR2LBK**

Order No.: 1555457

<http://eshop.phoenixcontact.de/phoenix/treeViewClick.do?UID=1555457>

Sensor/Actuator cable, 3-position, PUR/PVC, Black RAL 9005, Plug, straight M12, A-coded, on Socket, angled M12, A-coded, with 2 LEDs, Cable length: 5 m

**Commercial data**

GTIN (EAN)	 4 046356 165617
Note	Made-to-order
sales group	D110
Pack	5 pcs.
Customs tariff	85444290

**Product notes**WEEE/RoHS-compliant since:  
11/07/2006

<http://www.download.phoenixcontact.com>  
Please note that the data given here has been taken from the online catalog. For comprehensive information and data, please refer to the user documentation. The General Terms and Conditions of Use apply to Internet downloads.

**Technical data****General data**

Rated current at 40°C	4 A
Rated voltage	24 V
Number of positions	3
Volume resistance	≤ 5 mΩ
Insulation resistance	≥ 100 MΩ
Length of cable	5 m

**General characteristics**

Coding	A - standard
Surge voltage category	II
Pollution degree	3
Degree of protection	IP65/IP68/IP69K
Insertion/withdrawal cycles	≥ 100
Contact material	CuSn
Contact surface material	Ni/Au
Contact carrier material	TPU GF
Material of grip body	TPU, hardly inflammable, self-extinguishing
Material, knurls	Zinc die-cast, (nickel-plated)
Sealing material	NBR
Status display	2 LEDs

**Conductor data**

Cable type	PUR/PVC black
Cable abbreviation	LiYY-11Y
Conductor cross section	0.34 mm <sup>2</sup>
AWG signal line	22
Conductor structure signal line	42x 0.10 mm
Core diameter including insulation	1.52 mm ±0.02 mm
Thickness, insulation	≥ 0.23 mm (Core insulation)
	≥ 0.38 mm (Outer cable sheath)
	Approx. 0.45 mm (Inner sheath)
External cable diameter	5.20 mm
Wire colors	Brown, blue, black
External sheath, color	Black RAL 9005
Insulation resistance	≥ 100 MΩ*km
Conductor resistance	≤ 57.3 Ω/km
Nominal voltage, conductor	300 V
Test voltage, conductor	2500 V
Overall twist	3 wires, twisted
Outer sheath, material	PUR
Material, inner sheath	PVC
Material conductor insulation	PVC
Conductor material	Bare Cu litz wires

Cable weight	37 kg/km
Smallest bending radius, fixed installation	52 mm
Smallest bending radius, movable installation	52 mm
Number of bending cycles	2000000
Bending radius	52 mm
Traversing path	5 m
Traversing rate	3 m/s

### Certificates / Approvals

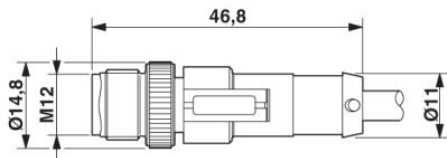


Certification

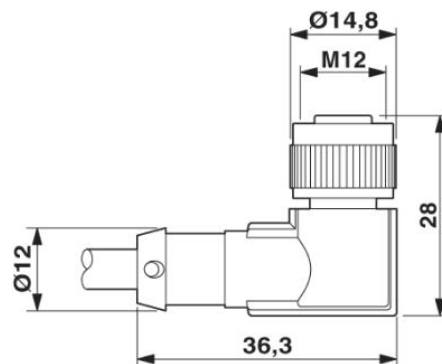
CUL Listed, UL Listed

### Diagrams/Drawings

Dimensioned drawing

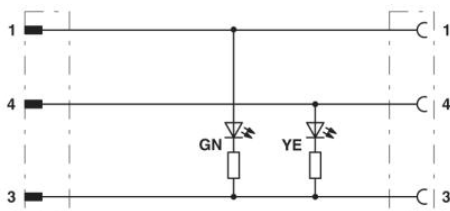


M12 x 1 male connector, straight



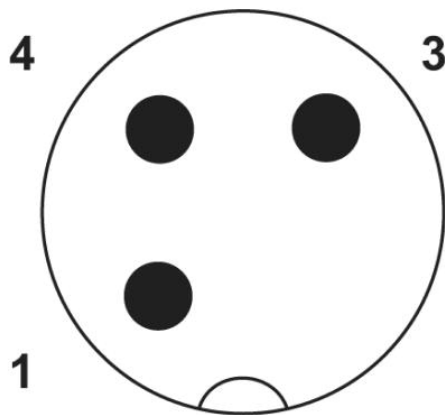
Socket M12 x 1, angled, with LED

Circuit diagram

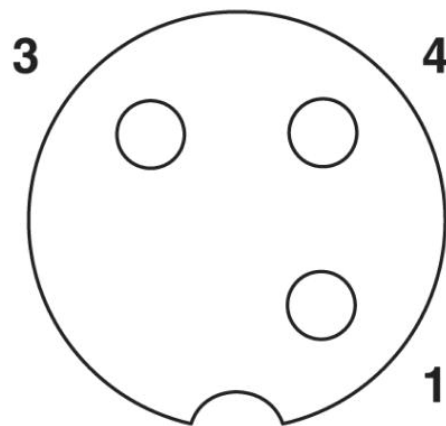


Schematic diagram

---



Pin assignment M12 plug, 3-pos., A-coded, view male side



Pin assignment M12 socket, 3-pos., A-coded, view female side

**Address**

PHOENIX CONTACT Deutschland GmbH  
Flachmarktstr. 8  
32825 Blomberg, Germany  
Phone +49 5235 3 12000  
Fax +49 5235 3 41200  
<http://www.phoenixcontact.de>



© 2011 Phoenix Contact  
Technical modifications reserved;

单击下面可查看定价，库存，交付和生命周期等信息

[>>Phoenix Contact\(菲尼克斯\)](#)