

# SACB-4/ 8-L-C SCO


Order No.: 1516797



<http://eshop.phoenixcontact.de/phoenix/treeViewClick.do?UID=1516797>

Sensor/actuator box, M12-SPEEDCON-socket, Number of slots: 4, Number of positions: 5, Slot assignment: Double, Status indication: Yes, pnp 180°, Shielding: No



Commercial data	
GTIN (EAN)	 4 017918 967529
sales group	D100
Pack	1 pcs.
Customs tariff	85366990
Catalog page information	Page 116 (PC-2009)

### Product notes

WEEE/RoHS-compliant since: 01/01/2008



<http://www.download.phoenixcontact.com>  
 Please note that the data given here has been taken from the online catalog. For comprehensive information and data, please refer to the user documentation. The General Terms and Conditions of Use apply to Internet downloads.

Technical data	
<b>General data</b>	
Rated voltage	24 V DC
Max. operating voltage $U_{max}$	30 V DC
Current carrying capacity per I/O signal	2 A
Current carrying capacity per slot	4 A

Total rated current	10 A
	2x 8 A (For electrical isolation)
Number of positions	5
Number of slots	4
Degree of protection	IP65/IP67/IP69K
Inflammability class acc. to UL 94	V0
Ambient temperature (operation)	-30 °C ... 80 °C
Sensor/actuator connection system	M12-SPEEDCON-socket

#### Local diagnostics function

Local diagnostics	Supply voltage per module Green LED
	Status display I/O Yellow LED

#### Master cable data

Type of connection	Pluggable screw connection
Conductor cross-section min. (signal)	0.14 mm <sup>2</sup>
Conductor cross-section max. (signal)	1.5 mm <sup>2</sup>
Conductor cross-section AWG min. (signal)	26
Conductor cross-section AWG max. (signal)	16
Conductor cross-section min. (energy)	0.14 mm <sup>2</sup>
Conductor cross-section max. (energy)	1.5 mm <sup>2</sup>
Conductor cross-section AWG min. (energy)	26
Conductor cross-section AWG max. (energy)	16
External cable diameter min.	7 mm
External cable diameter max.	12 mm
Stripping length	7 mm
Tightening torque, cover screw	0.35 Nm
Tightening torque, union nut	2.5 Nm
Tightening torque slot sensor/actuator cable	0.4 Nm
Tightening torque screw plug	0.4 Nm

#### Insulation material

Housing material	PBT
Material of the moulding mass	PUR
Contact material	Cu alloy
Contact surface material	Gold-plated
Contact carrier material	PA

Material of contact, master cable side	CU alloy
Material of contact surface, master cable side	Gold-plated
Material of the contact carrier on the master cable side	PA 66 V0
Material of threaded sleeve	Zinc die-cast
Material of threaded sleeve surface	Nickel-plated
Material, O-ring	NBR

**Pin assignment**

Slot/position = Wire color or connection	1 / 4 (A) = 1 / 4
	1 / 2 (B) = 1 / 2
	2 / 4 (A) = 2 / 4
	2 / 2 (B) = 2 / 2
	3 / 4 (A) = 3 / 4
	3 / 2 (B) = 3 / 2
	4 / 4 (A) = 4 / 4
	4 / 2 (B) = 4 / 2
	1-4 / 1 (+ 24 V) = U <sub>N</sub>
	1-4 / 3 (0 V) = 0 V
	1-4 / 5 (PE) = PE

**Certificates / Approvals**



Certification CUL, UL

**Accessories**

Item	Designation	Description
<b>Connector hood</b>		
1516713	SACB-C-H180 8/16 SCO	Connector hood with an integrated connector, for M12 sensor/ actuator boxes with metal thread and pluggable screw connection, for 4, 6 or 8 slots

**General**

1503357	SACB- 8X0,5/ 3X1,0-50,0 PUR	Master cable for sensor/actuator boxes, with PE conductor, unshielded, material PUR/PVC, 11-pos., 8 x 0.50 mm <sup>2</sup> and 3 x 1.00 mm <sup>2</sup> , length: 50 m
---------	-----------------------------	--

**Marking**

0804963	SS-ZB 17,5 WH	Contact marker Zack strip, unprinted: 5-section, for snapping into equipment and components with special marker carrier, can be labeled with M-PEN, CMS system or label BMKT 17.5 x 8, lettering field: 17.5 x 8 mm, color: white
---------	---------------	---

**Protection and sealing elements**

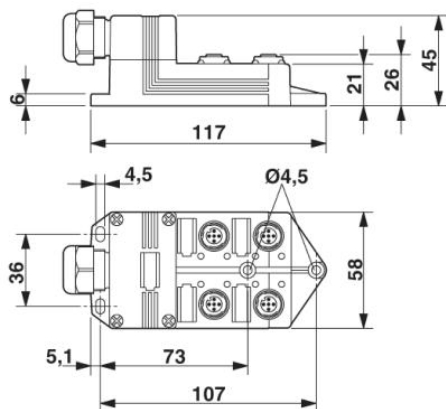
1553129	PROT-MS SCO	M12 screw plug with SPEEDCON quick locking for unoccupied M12 sockets of the sensor/actuator cables, boxes and flush-type connectors
---------	-------------	--

**Tools**

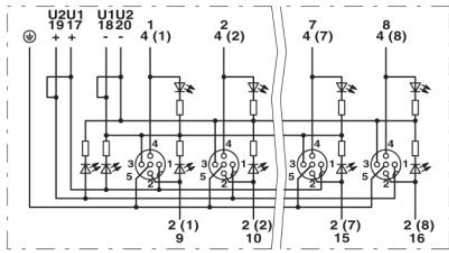
1208432	SAC BIT M12-D15	Nut for assembling sensor/actuator cables with M12 connector and for M12 connectors with QUICKON fast connection technology, for 4 mm hexagonal drive
1208445	SACC BIT M12-D20	Nut for assembling SACC M12 connectors for free assembly, excluding M12 connectors with QUICKON fast connection technology, for 4 mm hexagonal drive
1206450	SZK PZ1 VDE	Screwdriver, PZ crosshead, VDE insulated, size: PZ 1 x 80 mm, 2-component grip, with non-slip grip
1208429	TSD 04 SAC	Torque screwdriver, with preset torque of 0.4 Nm and 4 mm hexagonal drive for M12 connectors

**Diagrams/Drawings**

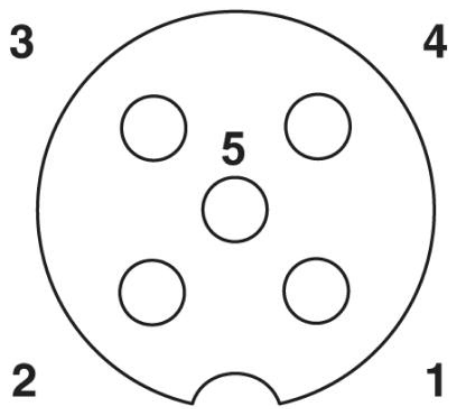
Dimensioned drawing



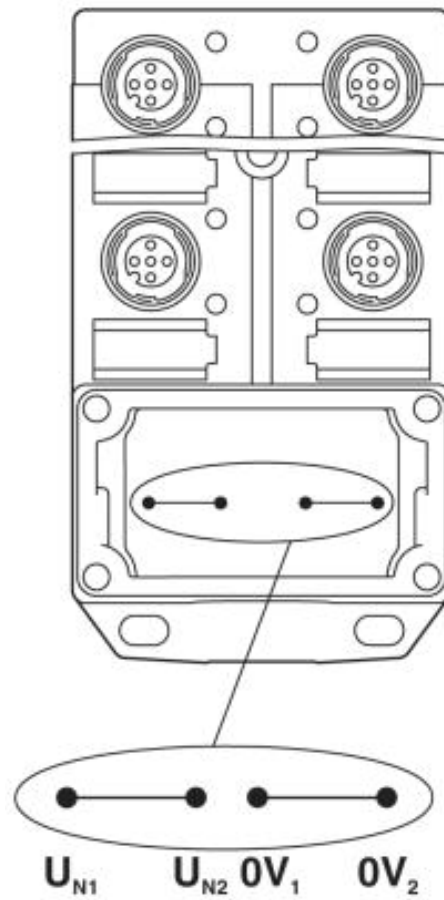
Circuit diagram



Schematic diagram

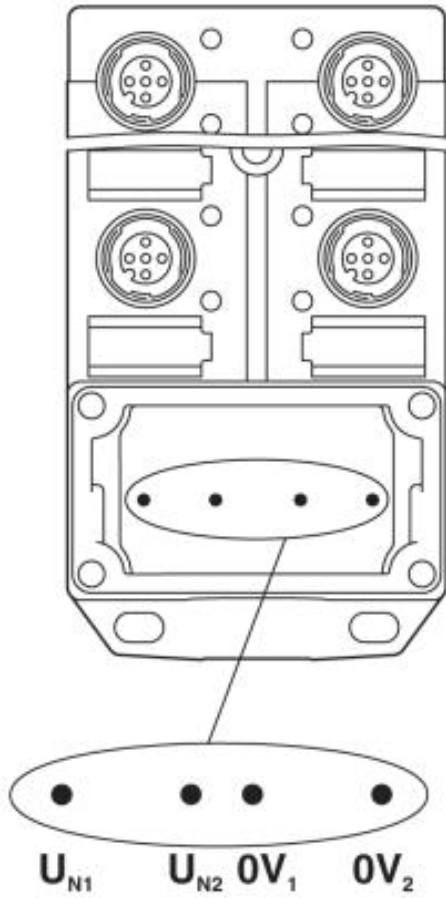


M12 slot, socket, 5-pos.



Potential  $U_{N1}$  and  $U_{N2}$  bridged

Electrically isolated



**Address**

PHOENIX CONTACT Inc., USA  
586 Fulling Mill Road  
Middletown, PA 17057, USA  
Phone (800) 888-7388  
Fax (717) 944-1625  
<http://www.phoenixcon.com>



© 2010 Phoenix Contact  
Technical modifications reserved;

单击下面可查看定价，库存，交付和生命周期等信息

[>>Phoenix Contact\(菲尼克斯\)](#)