

Sensor/actuator box - SACB-10/3-L-C-M8 HD



1197621

<https://www.phoenixcontact.com/us/products/1197621>

Please be informed that the data shown in this PDF document is generated from our Online Catalog. Please find the complete data in the user documentation. Our General Terms of Use for Downloads are valid.



Sensor/actuator box, application: Standard, connection method: M8 socket Metal, number of slots: 10, number of positions: 3, coding: A - standard, slot assignment: single, status display: yes, pnp; master cable connection: Pluggable screw connection 180°, shielding: no

Your advantages

- Safety in the field, thanks to molded housing and high degree of protection
- Convenient: increased machine availability thanks to quick and easy diagnostics
- Flexible: distributor box with connector hood for on-site assembly

Commercial Data

Item number	1197621
Packing unit	1 pc
Minimum order quantity	1 pc
Sales Key	B08
Product Key	BF3BCD
GTIN	4063151257941
Weight per Piece (including packing)	266.6 g
Weight per Piece (excluding packing)	266.6 g
Customs tariff number	85444290
Country of origin	DE

Sensor/actuator box - SACB-10/3-L-C-M8 HD



1197621

<https://www.phoenixcontact.com/us/products/1197621>

Technical Data

Notes

Note regarding documentation	For details about the PCB connectors used, refer to the technical data for MC 1,5/10-STF-3,5 (1847204)
Assembly instruction:	NOTE: Observe the permissible bending radii when laying conductors, since the degree of protection may be put in jeopardy if the bending forces are too high. Alleviate mechanical loads upstream of the connector, e.g. by using cable ties.
Note on application	Unused slots are to be sealed off prior to commissioning. Suitable sealing elements are to be found under "Accessories".

Product properties

Product type	Distributor boxes with M8 to M12 slots
Number of positions	3
Application	Standard
Number of slots	10
Coding	A - standard

Material specifications

Color	black
Material	PA 6 (Cable gland)
Sealing material	CR/NBR (Cable gland) FKM (Hood seal)
Material of threaded sleeve	Cu alloy
Material of threaded sleeve surface	Nickel-plated
Contact material	CuZn
Contact surface material	Ni/Au
Contact carrier material	PBT
Material of contact, master cable side	CU alloy
Material of the contact carrier on the master cable side	PA
Material of contact surface, master cable side	tin-plated
O-ring material	FKM
Material of the moulding mass	PUR
Housing material	PBT

Connection data

Pin assignment

Slot/position = Wire color or connection	1 / 4 (A) = 1 / 4
	2 / 4 (A) = 2 / 4
	3 / 4 (A) = 3 / 4
	4 / 4 (A) = 4 / 4
	5 / 4 (A) = 5 / 4
	6 / 4 (A) = 6 / 4

Sensor/actuator box - SACB-10/3-L-C-M8 HD



1197621

<https://www.phoenixcontact.com/us/products/1197621>

	7 / 4 (A) = 7 / 4
	8 / 4 (A) = 8 / 4
	9 / 4 (A) = 9 / 4
	10 / 4 (A) = 10 / 4
	1-10 / 1 (+24 V) = U _N
	1-10 / 3 (0 V) = 0 V

LED signaling

Status display present	yes
------------------------	-----

Electrical properties

Max. operating voltage U _{max}	30 V DC
Local diagnostics	Supply voltage Green LED
	Status display I/O Yellow LED
Nominal voltage U _N	24 V DC
Rated current, total	8 A
Max. current carrying capacity per path	2 A
Current carrying capacity per slot	2 A

Cable / line

Sensor/actuator connection system	M8 socket
Connection method	Pluggable screw connection
Metric conductor cross section (Signal)	0.14 mm ² ... 1.5 mm ²
Cross section AWG (Signal)	26 ... 16
Stripping length (signal)	7 mm
Metric conductor cross section (Power)	0.14 mm ² ... 1.5 mm ²
Cross section AWG (Power)	26 ... 16
Stripping length for sheath	70 mm (Master cable)
Tightening torque, cover screw	1 Nm
Tightening torque of mounting screw for fixing the housing	0.8 Nm

Standards and regulations

Standards/specifications	IEC 61076-2-104
--------------------------	-----------------

Ambient conditions

Degree of protection	IP67
Ambient temperature (operation)	-25 °C ... 80 °C

Sensor/actuator box - SACB-10/3-L-C-M8 HD

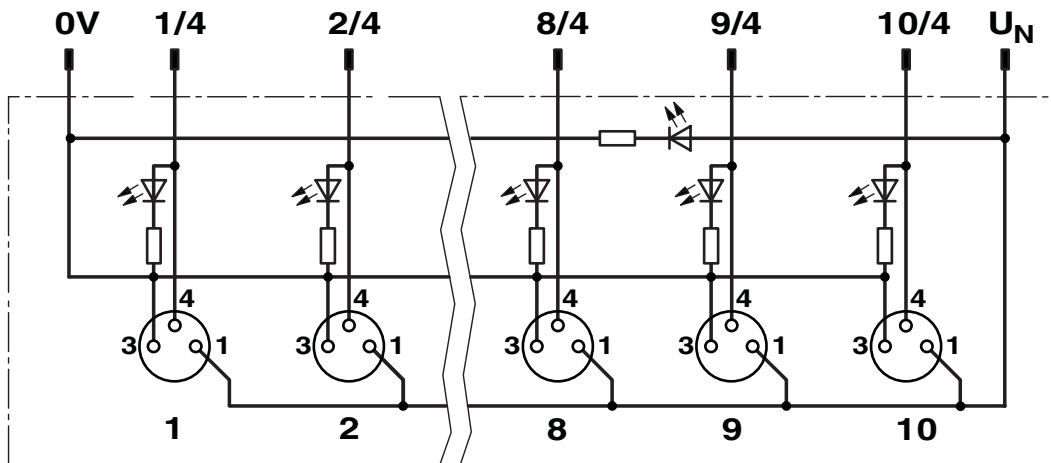


1197621

<https://www.phoenixcontact.com/us/products/1197621>

Drawings

Circuit diagram



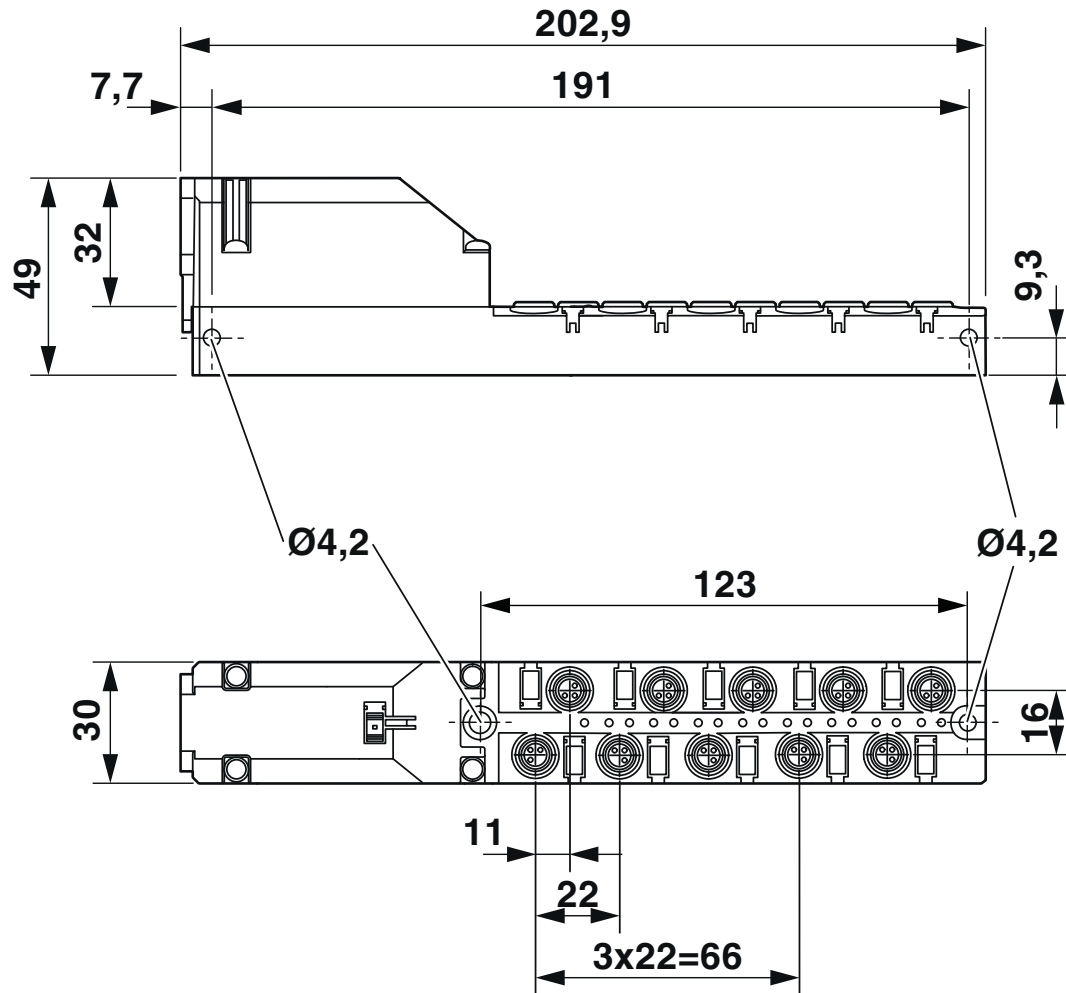
Sensor/actuator box - SACB-10/3-L-C-M8 HD



1197621

<https://www.phoenixcontact.com/us/products/1197621>

Dimensional drawing

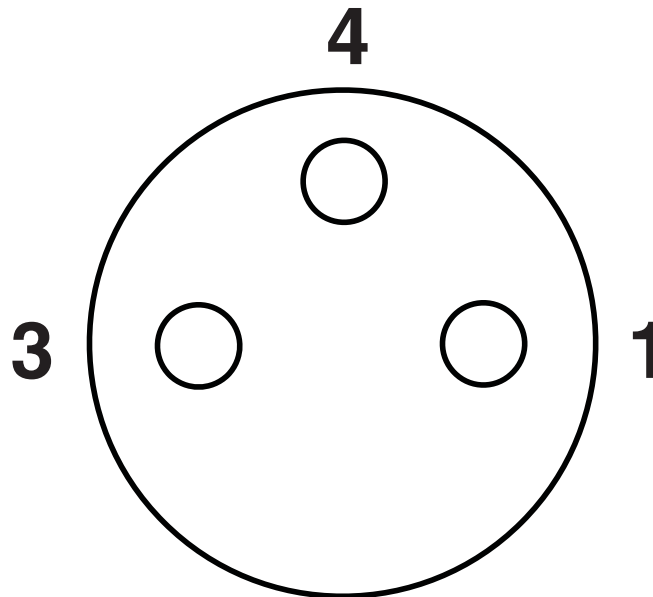


Sensor/actuator box - SACB-10/3-L-C-M8 HD

1197621

<https://www.phoenixcontact.com/us/products/1197621>

Schematic diagram



M8 slot, socket, 3-pos.

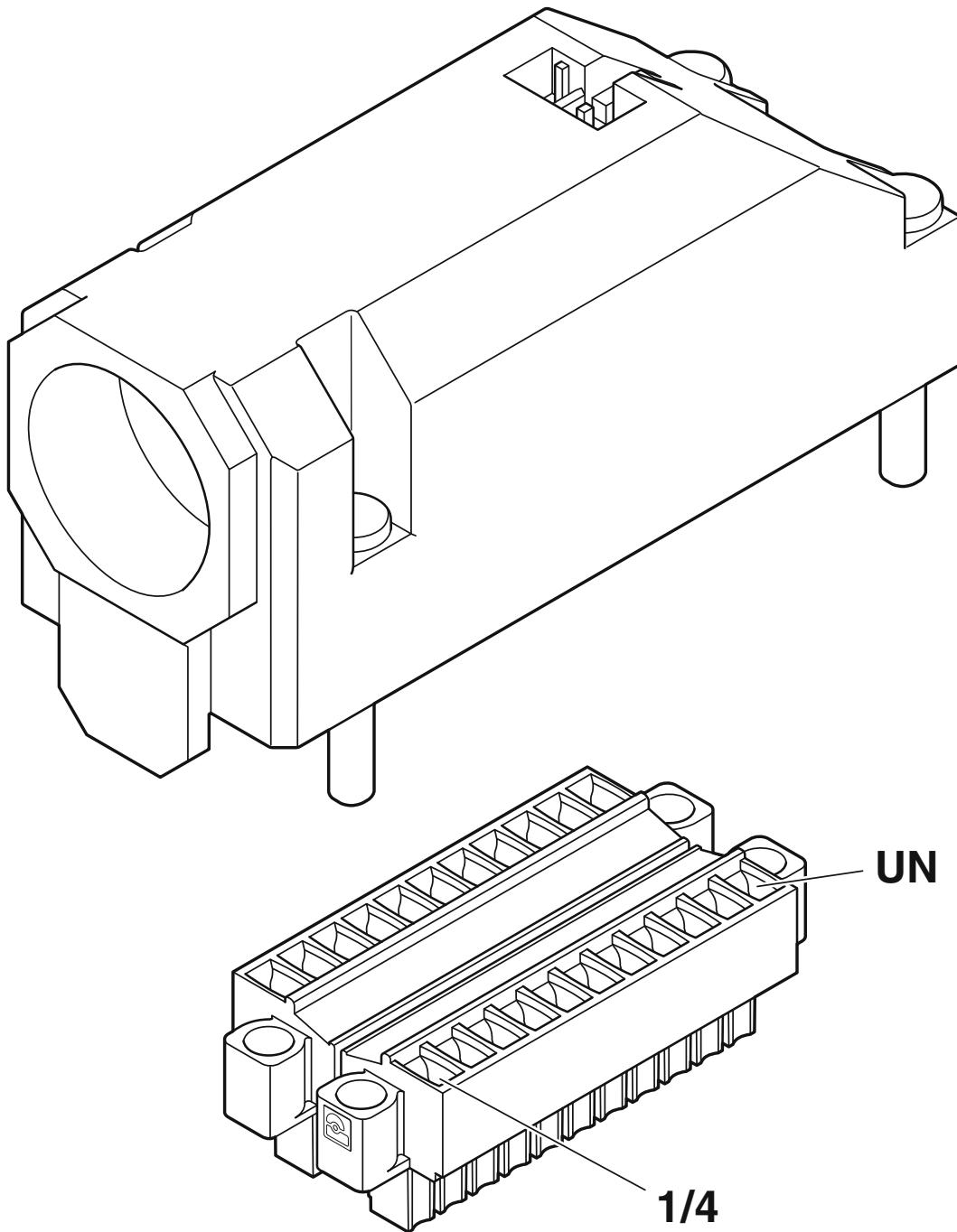
Sensor/actuator box - SACB-10/3-L-C-M8 HD



1197621

<https://www.phoenixcontact.com/us/products/1197621>

Schematic diagram



PCB connector positioning - the UN connection is on the end of the connector hood opposite the cable gland

Sensor/actuator box - SACB-10/3-L-C-M8 HD



1197621

<https://www.phoenixcontact.com/us/products/1197621>

Approvals



cUL Recognized
Approval ID: E238705



UL Recognized
Approval ID: E238705

cULus Recognized

Sensor/actuator box - SACB-10/3-L-C-M8 HD



1197621

<https://www.phoenixcontact.com/us/products/1197621>

Classifications

ECLASS

ECLASS-9.0	27440108
ECLASS-11.0	27440111
ECLASS-10.0.1	27440111

ETIM

ETIM 8.0	EC003558
----------	----------

UNSPSC

UNSPSC 21.0	31251500
-------------	----------

Sensor/actuator box - SACB-10/3-L-C-M8 HD



1197621

<https://www.phoenixcontact.com/us/products/1197621>

Environmental Product Compliance

China RoHS	Environmentally friendly use period: unlimited = EFUP-e
	No hazardous substances above threshold values

Sensor/actuator box - SACB-10/3-L-C-M8 HD



1197621

<https://www.phoenixcontact.com/us/products/1197621>

Accessories

Master cable ring

Master cable ring - SACB-10X0,34/2X0,75-50 PUR - 1517602

<https://www.phoenixcontact.com/us/products/1517602>



Master cable for sensor/actuator boxes, without PE conductor, unshielded, material PUR/PVC, 12-pos., 10 x 0.34 mm² and 2 x 0.75 mm², length: 50 m

Torque screwdriver

Torque screwdriver - TSD 25 SAC - 1212315

<https://www.phoenixcontact.com/us/products/1212315>



Torque screwdriver, with preset torque of 2.5 Nm and 4 mm hexagonal drive for the pressure nut of the connector hood

Sensor/actuator box - SACB-10/3-L-C-M8 HD



1197621

<https://www.phoenixcontact.com/us/products/1197621>

Tool

Tool - SAC BIT HOOD-W 24 - 1212486

<https://www.phoenixcontact.com/us/products/1212486>

Nut for assembling pressure nuts with 24 mm wrench size, for 4 mm hexagonal drive



Screwdriver

Screwdriver - SZK PZ2 VDE - 1206463

<https://www.phoenixcontact.com/us/products/1206463>

Screwdriver, PZ crosshead, VDE insulated, size: PZ 2 x 100 mm, 2-component grip, with non-slip grip



Sensor/actuator box - SACB-10/3-L-C-M8 HD



1197621

<https://www.phoenixcontact.com/us/products/1197621>

Screw plug

Screw plug - PROT-M8 - 1682540

<https://www.phoenixcontact.com/us/products/1682540>



An M8 screw plug for the unoccupied M8 sockets of the sensor/actuator cable, boxes and flush-type connectors

Torque screwdriver

Torque screwdriver - TSD 02 SAC - 1208487

<https://www.phoenixcontact.com/us/products/1208487>



Torque screwdriver, with preset torque of 0.2 Nm and 4 mm hexagonal drive for M8 connectors

Sensor/actuator box - SACB-10/3-L-C-M8 HD



1197621

<https://www.phoenixcontact.com/us/products/1197621>

Tool

Tool - SAC BIT M8-D10 - 1208461

<https://www.phoenixcontact.com/us/products/1208461>



Nut for assembling M8 connectors with longitudinal knurl and a knurl diameter of 10 mm, for 4 mm hexagonal drive

Tool

Tool - SACC BIT M8-D12 - 1208474

<https://www.phoenixcontact.com/us/products/1208474>



Nut for assembling M8 connectors with longitudinal knurl and a knurl diameter of 12 mm, for 4 mm hexagonal drive

Sensor/actuator box - SACB-10/3-L-C-M8 HD



1197621

<https://www.phoenixcontact.com/us/products/1197621>

Marker for terminal blocks

Marker for terminal blocks - UCT1U-TM 5 - 0803204

<https://www.phoenixcontact.com/us/products/0803204>



UniCard materials for thermal transfer printers, for marking terminal blocks from Weidmüller, Conta Clip, and Klemsan, 72-section, offset foot, can be marked with THERMOMARK CARD and BLUEMARK, color: white

Marker for terminal blocks

Marker for terminal blocks - UCT1U-TM 5 CUS - 8191012

<https://www.phoenixcontact.com/us/products/8191012>



Markers for terminal blocks, for marking terminal blocks from Weidmüller, Conta Clip, and Klemsan, 72-section, offset foot, can be ordered in sheet form, marked according to customer specifications, color: white

Sensor/actuator box - SACB-10/3-L-C-M8 HD



1197621

<https://www.phoenixcontact.com/us/products/1197621>

Screwdriver

Screwdriver - SZS 0,4X2,5 VDE - 1205037

<https://www.phoenixcontact.com/us/products/1205037>



Screwdriver, slot-headed, VDE insulated, size: 0.4 x 2.5 x 80 mm, 2-component grip, with non-slip grip

Screw insert

Screw insert - SF-BIT-SL 0,45X2,4-70 - 1212607

<https://www.phoenixcontact.com/us/products/1212607>



Screw bit, slotted, E6.3-1/4" drive, size: 0.45 x 2.4 x 70 mm, hardened, suitable for holder according to DIN 3126-F6.3/ISO 1173

Sensor/actuator box - SACB-10/3-L-C-M8 HD



1197621

<https://www.phoenixcontact.com/us/products/1197621>

Screwdriver

Screwdriver - SF-M BH - 1212070

<https://www.phoenixcontact.com/us/products/1212070>



Bit screwdriver, with 1/4" quick-action chuck, handle length 119 mm, 2-component handle, with non-slip grip, suitable for bits according to DIN 3126-C 6.3 and E 6.3/ISO 1173, magnetic

Phoenix Contact 2022 © - all rights reserved

<https://www.phoenixcontact.com>

Phoenix Contact USA
586 Fulling Mill Road
Middletown, PA 17057, United States
(+717) 944-1300
info@phoenixcon.com

单击下面可查看定价，库存，交付和生命周期等信息

[>>Phoenix Contact \(菲尼克斯\)](#)