

Safety module - AXL SE SSSDO4/2 2A - 1190017

Please be informed that the data shown in this PDF Document is generated from our Online Catalog. Please find the complete data in the user's documentation. Our General Terms of Use for Downloads are valid (<http://phoenixcontact.com/download>)



Axioline Smart Elements, Digital output module, SafetyBridge technology, Safe digital outputs: 4 (1-channel assignment), 2 (2-channel assignment), 24 V DC, 2 A, connection technology: 2-conductor, degree of protection: IP20

Product Description

You can integrate Axioline Smart Elements into systems with the Smart Element interface. This Smart Element is a safe output module for use in a SafetyBridge system.

Your advantages

- Up to Cat. 4/PL e according to EN ISO 13849-1, SIL 3 according to EN 62061, SIL 3 according to IEC 61508
- 4 safe outputs for 1-channel assignment
- 2 safe outputs for 2-channel assignment
- 24 V DC, 2 A



Key Commercial Data

Packing unit	1 pc
GTIN	
GTIN	4063151238285
Weight per Piece (excluding packing)	40.000 g
Custom tariff number	85389091
Country of origin	Germany

Technical data

Dimensions

Caption	Dimensions
Width	14.9 mm
Height	62.2 mm

Safety module - AXL SE SSDO4/2 2A - 1190017

Technical data

Dimensions

Depth	62 mm
-------	-------

Ambient conditions

Ambient temperature (operation)	-25 °C ... 60 °C
Ambient temperature (storage/transport)	-40 °C ... 85 °C
Permissible humidity (operation)	5 % ... 95 % (non-condensing)
Permissible humidity (storage/transport)	5 % ... 95 % (non-condensing)
Air pressure (operation)	70 kPa ... 108 kPa
Air pressure (storage/transport)	66 kPa ... 108 kPa
Degree of protection	IP20
Degree of protection at installation location	min. IP54

Connection data

Designation	I/O
Connection method	Push-in connection
Note on the connection method	Note the specification in the section Conductor cross sections, and stripping and insertion lengths.
Conductor cross section solid min.	0.25 mm ²
Conductor cross section solid max.	1.5 mm ²
Conductor cross section flexible min.	0.25 mm ²
Conductor cross section flexible max.	1.5 mm ²
Conductor cross section AWG min.	24
Conductor cross section AWG max.	16
Stripping length	8 mm

Interfaces

Designation	Smart Element interface
Number	1
Connection method	Card edge connector
Transmission speed	See system in which you use the Smart Element.

Digital outputs

Output name	Safe digital outputs
Output description	EN 61131-2
Number of outputs	4 (1-channel assignment) 2 (2-channel assignment)
Connection method	Push-in connection
Connection technology	2-conductor
Protective circuit	Short-circuit protection, overload protection of the outputs electronic
Output voltage	24 V DC

Safety module - AXL SE SSDO4/2 2A - 1190017

Technical data

Digital outputs

Nominal output voltage	24 V DC
Output current per channel	2 A
Output current of the device	4 A
Output current	max. 2 A (per output)
Nominal load, inductive	48 VA (1 H; 12 Ω; at nominal voltage)
Nominal load, ohmic	48 W (12 Ω, at nominal voltage)
Max. capacitive load	10 μF (for ZVEI class 0)
	2 μF (for ZVEI class 1)
	1 μF (for ZVEI class 2)
Switching frequency	1 Hz (0.2 Hz at > 1 A)
Load min.	1.5 kΩ (at nominal voltage)
Limitation of the voltage induced on circuit interruption	-15 V
Derating	up to 40°C: 4 A total current from 40°C: 100 mA/°C derating
Output voltage when switched off	< 5 V
Output current when switched off	< 2 mA
Holding voltage	> 5 V (min. holding voltage of the connected load)
Holding current	> 2 mA (min. holding current of the connected load)
Behavior with overload	Switch-off of the relevant output, restart upon acknowledgment
Behavior with inductive overload	Output can be destroyed
Reverse voltage resistance to short pulses	no
Test pulses	Configurable switch-on impulses, fixed shut-off impulses

General

Mounting type	Smart Element slot
Color	zinc yellow RAL 1018
Net weight	36 g
Operating mode	SafetyBridge
Degree of pollution	2 (EN 60664-1)
Mounting position	any
Maximum altitude	≤ 3000 m (Above sea level)

Axioline potentials

Designation	Axioline F local bus supply (U_{BUS})
Supply voltage	5 V DC (via bus base module)
Current consumption	typ. 93 mA (at U_{BUS} 5 V DC)
	max. 120 mA (at U_{BUS} 5 V DC)
Designation	Communications power supply of the Smart Elements (U_{SE})

Safety module - AXL SE SSDO4/2 2A - 1190017

Technical data

Axioline potentials

Additional text	using card edge connectors
Current consumption	max. 117 mA (at U_{SE} 3.3 V DC)
Designation	I/O supply (U_P)
Supply voltage	24 V DC (using card edge connectors)
Supply voltage range	19.2 V DC ... 30 V DC (including all tolerances, including ripple)
Current consumption	min. 21 mA ((Supply from U_P with 19.2 V DC, all outputs set, without supply to the actuators))
	typ. 25 mA ((Supply from U_P with 24 V DC, all outputs set, without supply to the actuators))
	max. 30 mA ((Supply from U_P with 30 V DC, all outputs set, without supply to the actuators))
Power consumption	min. 403 mW
	typ. 600 mW
	max. 900 mW

Safety-related characteristic data

Stop category in accordance with IEC 60204	0
	1 (in error-free state)
Designation	IEC 61508 - High demand
Safety Integrity Level (SIL)	2 (1-channel assignment)
	3 (2-channel assignment)
Designation	IEC 61508 - Low demand
Safety Integrity Level (SIL)	2 (1-channel assignment)
	3 (2-channel assignment)
Designation	EN ISO 13849-1
Performance level (PL)	d (1-channel assignment)
	e (2-channel assignment)
Category	3 (1-channel assignment)
	4 (2-channel assignment)
Designation	EN 62061
Safety Integrity Level Claim Limit (SIL CL)	2 (1-channel assignment)
	3 (2-channel assignment)

Standards and Regulations

Immunity to ESD	Noise immunity test in accordance with EN 61000-6-2 Electrostatic discharge (ESD) EN 61000-4-2/IEC 61000-4-2 Criterion A, 6 kV contact discharge, 8 kV air discharge
Immunity to EF	Noise immunity test in accordance with EN 61000-6-2 Electromagnetic fields EN 61000-4-3/IEC 61000-4-3 Criterion A, Field intensity: 10 V/m

Safety module - AXL SE SSDO4/2 2A - 1190017

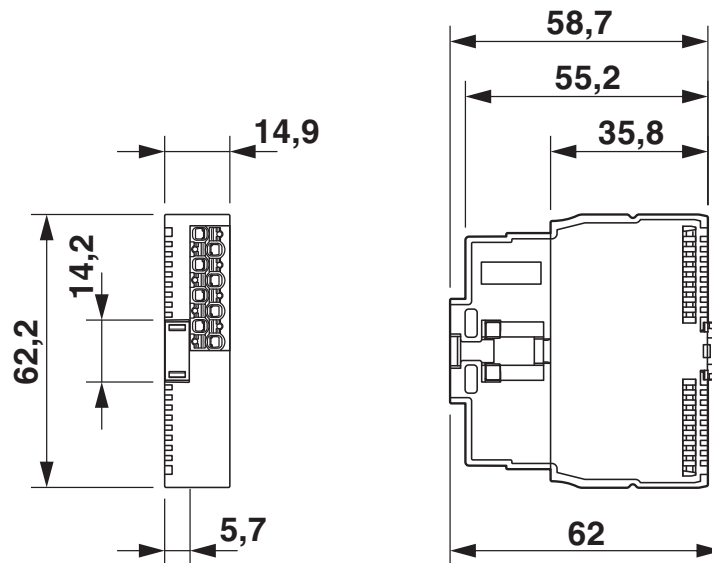
Technical data

Standards and Regulations

Immunity to burst	Noise immunity test in accordance with EN 61000-6-2 Fast transients (burst) EN 61000-4-4/IEC 61000-4-4 Criterion A, 2 kV
Immunity to surge	Noise immunity test in accordance with EN 61000-6-2 Transient overvoltage (surge) EN 61000-4-5/IEC 61000-4-5 Test intensity 2, Criterion A Power supply: 0.5 kV/0.5 kV (symmetrical/unsymmetrical) Signal lines: 1.0 kV/2.0 kV (symmetrical/unsymmetrical)
Immunity to conducted interference	Noise immunity test in accordance with EN 61000-6-2 Conducted interference EN 61000-4-6/IEC 61000-4-6 Criterion A, Test voltage 10 V
Interference emission	Noise emission test as per EN 61000-6-4 Class A (industrial applications)
Air clearances and creepage distances	IEC 60664-1
Mechanical tests	Vibration resistance in acc. with EN 60068-2-6/IEC 60068-2-6 5g
	Shock in acc. with EN 60068-2-27/IEC 60068-2-27 30g
	Continuous shock according to EN 60068-2-27/IEC 60068-2-27 10g
Protection class	III (IEC 61140, EN 61140, VDE 0140-1)
Overvoltage category	II (IEC 60664-1)

Drawings

Dimensional drawing



Dimensions

Safety module - AXL SE SSSDO4/2 2A - 1190017

Classifications

eCl@ss

eCl@ss 10.0.1	27242604
eCl@ss 11.0	27242604
eCl@ss 9.0	27242604

ETIM

ETIM 7.0	EC001599
----------	----------

Approvals

Approvals

Approvals

UL Listed / cUL Listed / cULus Listed

Ex Approvals

Approval details

UL Listed		http://database.ul.com/cgi-bin/XYV/template/LISEXT/1FRAME/index.htm	FILE E 238705
-----------	--	---	---------------

cUL Listed		http://database.ul.com/cgi-bin/XYV/template/LISEXT/1FRAME/index.htm	FILE E 238705
------------	--	---	---------------

cULus Listed			
--------------	--	--	--

Accessories

Accessories

Crimping tool

Safety module - AXL SE SSDO4/2 2A - 1190017

Accessories

Crimping pliers - CRIMPFOX 6 - 1212034



Crimping pliers, for ferrules without insulating collar according to DIN 46228 Part 1 and ferrules with insulating collar according to DIN 46228 Part 4, 0.25 mm² ... 6.0 mm², lateral entry, trapezoidal crimp

Crimping pliers - CRIMPFOX DUO 10 - 1031721



Crimping pliers, type of contact: Insulated and uninsulated ferrules, min. cross section: 0.14 mm², max. cross section: 10 mm², for TWIN ferrules up to 2 x 4 mm², automatic cross section adjustment, rotating die, lateral and frontal insertion, compression: Trapezoidal crimp, black/green

Crimping pliers - CRIMPFOX 10T-F - 1134913



Crimping pliers, type of contact: Insulated and uninsulated ferrules, standards/specifications: DIN 46228-1, DIN 46228-4, min. cross section: 0.14 mm², max. cross section: 10 mm², For TWIN ferrules up to 2 x 4 mm², automatic cross section adjustment, frontal insertion, compression: Trapezoidal crimp, black

I/O component

Module carrier - AXL F BP SE4 - 1088135



Axioline F, Backplane, 4 slots for Axioline Smart Elements, transmission speed in the local bus: 100 Mbps, degree of protection: IP20

Module carrier - AXL F BP SE6 - 1088136



Axioline F, Backplane, 6 slots for Axioline Smart Elements, transmission speed in the local bus: 100 Mbps, degree of protection: IP20

Safety module - AXL SE SSDO4/2 2A - 1190017

Accessories

Screwdriver tools

Screwdriver - SZS 0,4X2,5 VDE - 1205037



Screwdriver, slot-headed, VDE insulated, size: 0.4 x 2.5 x 80 mm, 2-component grip, with non-slip grip

Terminal marking

Label - MM-TML (EX4,2)R C1 TR/BK - 0803979



Label, Roll, transparent, unlabeled, can be labeled with: THERMOFOX, THERMOMARK GO, THERMOMARK GO.K, mounting type: adhesive, for terminal block width: 8000 mm, lettering field size: continuous x 4.2 mm

Marker strip - SK 5,0 WH:REEL - 0805221



Marker strip, Roll, white, unlabeled, can be labeled with: THERMOMARK ROLL 2.0, THERMOMARK ROLL, THERMOMARK ROLL X1, THERMOMARK ROLLMASTER 300/600, THERMOMARK X1.2, mounting type: adhesive, for terminal block width: 5 mm, lettering field size: continuous x 5 mm, Number of individual labels: 90000

Marker for terminal blocks - UM6M-TM (5X12) - 0830928

Markers for marking terminal blocks from ABB/Entelec, 24-section, unmarked, can be marked with THERMOMARK CARD and BLUEMARK, color: white



Marker for terminal blocks from the SNK series from ABB - UCT6M-TM 5 - 0830756



Marker for terminal blocks from the SNK series from ABB, Sheet, white, unlabeled, can be labeled with: THERMOMARK CARD, THERMOMARK CARD 2.0, THERMOMARK PRIME, BLUEMARK ID, BLUEMARK ID COLOR, TOPMARK LASER, TOPMARK NEO, mounting type: snap into tall marker groove, for terminal block width: 5.2 mm, lettering field size: 4.17 x 11.3 mm

Safety module - AXL SE SSDO4/2 2A - 1190017

Accessories

Phoenix Contact 2021 © - all rights reserved
<http://www.phoenixcontact.com>

单击下面可查看定价，库存，交付和生命周期等信息

[>>Phoenix Contact\(菲尼克斯\)](#)