

Snap-on frame - CES-B16-SF-PLBK - 0801651

Please be informed that the data shown in this PDF Document is generated from our Online Catalog. Please find the complete data in the user's documentation. Our General Terms of Use for Downloads are valid (<http://phoenixcontact.com/download>)



Size B16 snap-on frame including integrated mounting panel seal, for accommodating CES-B16-HFFS-PLBK or CES-B16-SFFS-PLBK sealing frames

Product Description

Snap-on frame, medium



Key Commercial Data

Packing unit	1 pc
Weight per Piece (excluding packing)	56.0 g
Custom tariff number	39174000
Country of origin	Germany

Technical data

Dimensions

Length	128 mm
Width	64 mm
Height	38 mm

Ambient conditions

Degree of protection	IP54
Ambient temperature (operation)	-20 °C ... 80 °C

General

Product description	Snap-on frame, medium
Frame type	Snap-on frame
Material	PA
Flammability rating according to UL 94	V0
Color	black
Installation instructions	M4 mounting screw. 1.8 Nm torque

Snap-on frame - CES-B16-SF-PLBK - 0801651

Technical data

General

	A video tutorial on how to assemble the product can be found in the Downloads area, in the Video category.
	Leak-tightness is guaranteed with underwall and perpendicular mounting.

Standards and Regulations

Flammability rating according to UL 94	V0
--	----

Classifications

eCl@ss

eCl@ss 4.0	27081002
eCl@ss 4.1	27081002
eCl@ss 5.0	27081002
eCl@ss 5.1	27081002
eCl@ss 6.0	27081002
eCl@ss 7.0	27081002
eCl@ss 8.0	27069220

ETIM

ETIM 3.0	EC000451
ETIM 4.0	EC000451
ETIM 5.0	EC000451

UNSPSC

UNSPSC 6.01	30212109
UNSPSC 7.0901	39121708
UNSPSC 11	39121708
UNSPSC 12.01	39121708
UNSPSC 13.2	39121708

Approvals

Approvals

Approvals

GL

Ex Approvals

Snap-on frame - CES-B16-SF-PLBK - 0801651

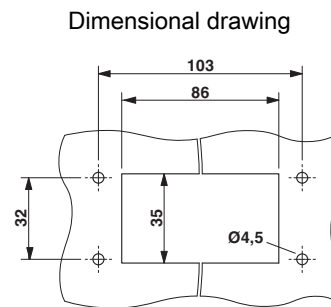
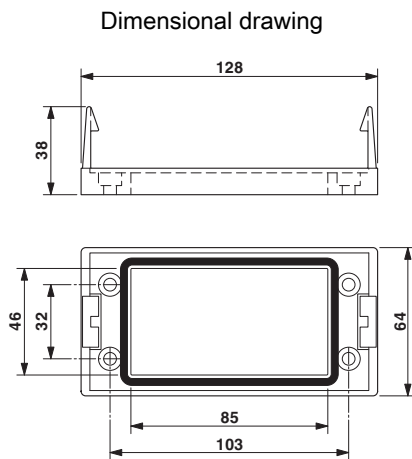
Approvals

Approvals submitted

Approval details

GL

Drawings



Panel cutout

Dimensional drawing

单击下面可查看定价，库存，交付和生命周期等信息

[>>Phoenix Contact\(菲尼克斯\)](#)