

System connectors - FLKM 50-PA-MODI-984/B838 - 2289395

Please be informed that the data shown in this PDF Document is generated from our Online Catalog. Please find the complete data in the user's documentation. Our General Terms of Use for Downloads are valid (<http://phoenixcontact.com/download>)



VARIOFACE front adapter, for Schneider Electric MODICON 984 series 800, output card B838

The illustration shows version FLKM 50-PA-MODI-984

Key commercial data

Packing unit	1 pc
GTIN	 4 017918 057541
Weight per Piece (excluding packing)	2.75 GRM
Custom tariff number	85369010
Country of origin	Germany

Technical data

General

Nominal voltage U_N	60 V AC/DC
Max. perm. current (per branch)	1 A
Max. perm. current (separate power supply)	8 A (per slip-on connection (0+; 1+; 2+; 3+; B-; B+))
Number of positions	50
Standards/regulations	IEC 60664
	IEC 60664 A
	DIN VDE 0110
	DIN VDE 0160 (in parts)

Ambient conditions

Ambient temperature (operation)	-20 °C ... 50 °C
---------------------------------	------------------

System connectors - FLKM 50-PA-MODI-984/B838 - 2289395

Classifications

eCl@ss

eCl@ss 4.0	27250313
eCl@ss 4.1	27250313
eCl@ss 5.0	27250313
eCl@ss 5.1	27250313
eCl@ss 6.0	27242208

ETIM

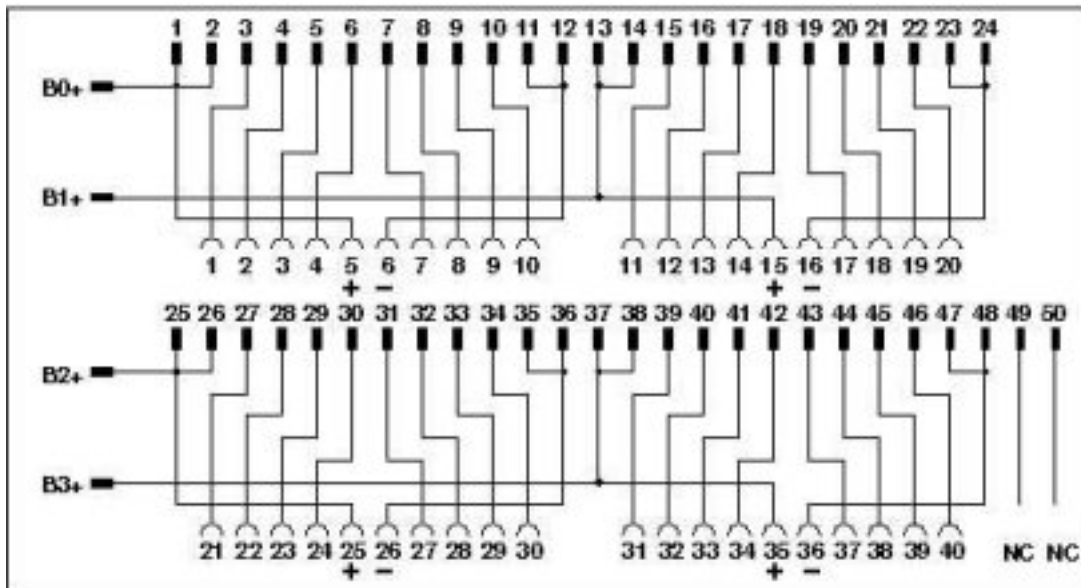
ETIM 2.0	EC001423
ETIM 3.0	EC001423
ETIM 4.0	EC001423

UNSPSC

UNSPSC 6.01	30211824
UNSPSC 7.0901	39121421
UNSPSC 11	39121421
UNSPSC 13.2	39121421

Drawings

Circuit diagram



单击下面可查看定价，库存，交付和生命周期等信息

[>>Phoenix Contact\(菲尼克斯\)](#)