

Ferrule - AI 0,5-8 WH-B 3000 - 3240663

Please be informed that the data shown in this PDF Document is generated from our Online Catalog. Please find the complete data in the user's documentation. Our General Terms of Use for Downloads are valid (<http://phoenixcontact.com/download>)



Ferrules, 0.5 mm², taped, sleeve length: 8 mm, with plastic collar, galvanically tin-plated, color: white, color range according to DIN 46228-4, CSA-certified

The figure shows the AI 1-8 RD-B 3000 version

Product Features

- The sleeves are supplied on large reels, each containing a quantity of up to 3000
- Ferrules in tape format for automatic processing



Key commercial data

Packing unit	1 pc
Minimum order quantity	3000 pc
Weight per Piece (excluding packing)	0.12 GRM
Custom tariff number	85369010
Country of origin	Germany

Technical data

Dimensions

Length (b)	14 mm
Maximum stripping length	11 mm
Sleeve length	8 mm
Inner dimension of the insulating collar (d)	2.5 mm
Ferrule diameter	1.1 mm
Insulating collar thickness	0.25 mm
Sleeve wall thickness	0.15 mm

Ambient conditions

Short-term temperature	120 °C
Max. permanent temperature	105 °C

Ferrule - Al 0,5-8 WH-B 3000 - 3240663

Technical data

General

Color	white
Components	free from silicone and halogen
Inflammability class according to UL 94	HB
Material	E-CU

Classifications

eCl@ss

eCl@ss 4.0	27060701
eCl@ss 4.1	27060701
eCl@ss 5.0	27400201
eCl@ss 5.1	27400201
eCl@ss 6.0	27400201
eCl@ss 7.0	27400201
eCl@ss 8.0	27400201

ETIM

ETIM 4.0	EC000005
ETIM 5.0	EC000005

UNSPSC

UNSPSC 6.01	30212109
UNSPSC 7.0901	27121703
UNSPSC 11	27121703
UNSPSC 12.01	27121703
UNSPSC 13.2	27121703

Approvals

Approvals

Approvals

CSA / CSAus / cCSAus

Ex Approvals

Ferrule - Al 0,5-8 WH-B 3000 - 3240663

Approvals

Approvals submitted

Approval details

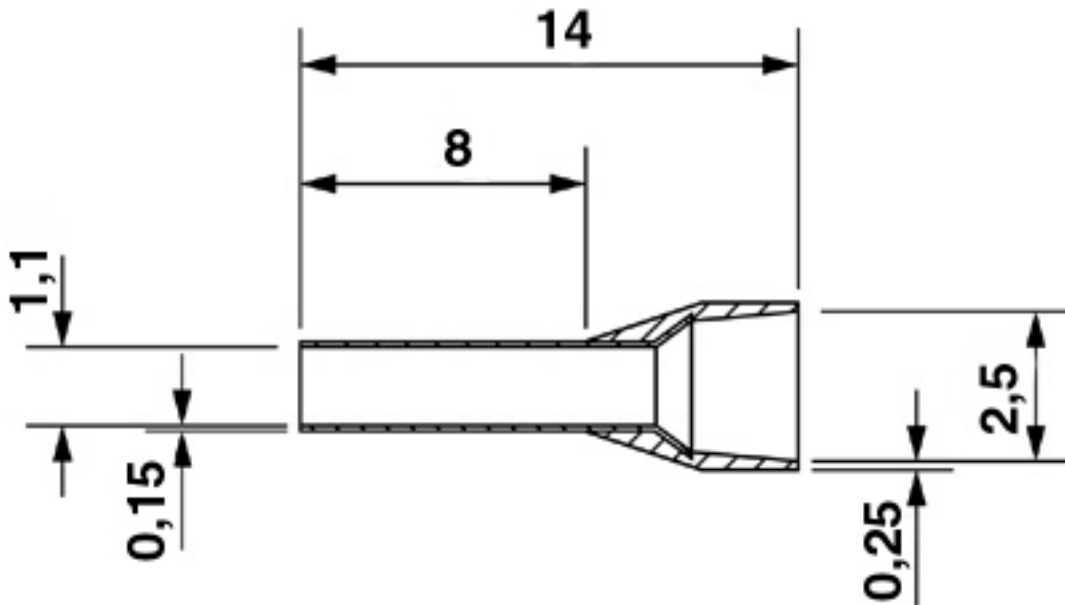
CSA 

CSAus

cCSAus

Drawings

Dimensioned drawing



单击下面可查看定价，库存，交付和生命周期等信息

[>>Phoenix Contact \(菲尼克斯\)](#)