

Cover plate - VS-SI-FP-BP - 1656657

Please be informed that the data shown in this PDF Document is generated from our Online Catalog. Please find the complete data in the user's documentation. Our General Terms of Use for Downloads are valid (<http://download.phoenixcontact.com>)

Dummy plate, plastic



Key commercial data

Packing unit	1 pc
Weight per Piece (excluding packing)	18.4 GRM
Custom tariff number	39269097
Country of origin	Germany

Technical data

Ambient conditions

Ambient temperature (operation)	-10 °C ... 60 °C
---------------------------------	------------------

General

Color	gray
Housing material	PBT
Inflammability class according to UL 94	V0

Classifications

eCl@ss

eCl@ss 4.0	27140816
eCl@ss 4.1	27140816
eCl@ss 5.0	27189239
eCl@ss 5.1	27189239
eCl@ss 6.0	27144001
eCl@ss 7.0	27144001

Cover plate - VS-SI-FP-BP - 1656657

Classifications

eCl@ss

eCl@ss 8.0	27144001
------------	----------

ETIM

ETIM 2.0	EC000007
ETIM 3.0	EC000007
ETIM 4.0	EC000007
ETIM 5.0	EC000456

UNSPSC

UNSPSC 6.01	31261501
UNSPSC 7.0901	31261501
UNSPSC 11	31261501
UNSPSC 12.01	31261501
UNSPSC 13.2	31261501

Accessories

Accessories

Marking material

Marker labels - VS-SI-BZ - 1656660

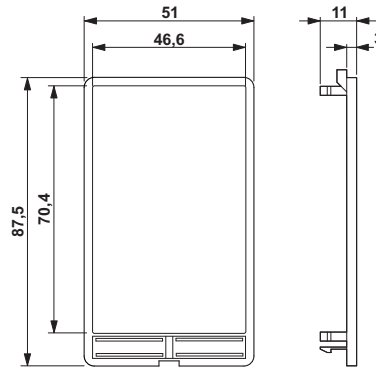


Marker label, plastic, plate with 20 labels

Drawings

Cover plate - VS-SI-FP-BP - 1656657

Dimensioned drawing



Dummy plate

单击下面可查看定价，库存，交付和生命周期等信息

[>>Phoenix Contact\(菲尼克斯\)](#)