

Redundancy module - QUINT-ORING/24DC/2X20/1X40 - 2320186

Please be informed that the data shown in this PDF Document is generated from our Online Catalog. Please find the complete data in the user's documentation. Our General Terms of Use for Downloads are valid (<http://download.phoenixcontact.com>)



Active QUINT redundancy module for DIN rail mounting with integrated SFB (selective fuse breaking) technology and monitoring functions, input: 24 V DC, output: 24 V DC/2 x 20 A or 1 x 40 A, including mounted universal DIN rail adapter UTA 107/30

Product Features

- Service life of the redundant solution is doubled, thanks to uniform distribution of the load
- Save energy
- Permanent monitoring of redundancy
- Consistent redundancy up to the load



Key commercial data

| | |
|----------------------|----------|
| Packing unit | 1 PCE |
| GTIN | |
| Custom tariff number | 85044090 |
| Country of origin | CHINA |

Technical data

Input data

| | |
|--------------------------------------|---|
| Nominal input voltage | 24 V DC |
| Nominal input voltage range | <p></p> |
| Nominal input voltage range | 18 V DC ... 28 V DC (SELV) |
| Input voltage range DC | <p></p> |
| Type of protection | Protection against static surge voltages > 30 V |
| Nominal input current I _N | 2x 20 A (-25 °C ... 60 °C) |
| Nominal input current I _N | 1x 40 A (-25 °C ... 60 °C) |

Redundancy module - QUINT-ORING/24DC/2X20/1X40 - 2320186

Technical data

Input data

| | |
|---------------------------|--------------------------|
| Maximum current I_{max} | 2x 26 A (-25°C ... 40°C) |
| Maximum current I_{max} | 1x 52 A (-25°C ... 40°C) |

Output data

| | |
|------------------------------|--------------------------|
| Nominal output voltage | 0.2 V (< DC input) |
| Output current | 40 A (Increasing power) |
| Output current | 20 A (Redundancy) |
| Derating | 60 °C ... 70 °C (2.5%/K) |
| Power loss nominal load max. | 8 W ($I_{OUT} = 40$ A) |

General data

| | |
|--|---|
| Width | 38 mm |
| Height | 130 mm |
| Depth | 125 mm |
| Width with alternative assembly | 122 mm |
| Height with alternative assembly | 130 mm |
| Depth with alternative assembly | 41 mm |
| Net weight | 0.6 kg |
| Efficiency | > 98 % |
| Degree of protection | IP20 |
| Protection class | III |
| MTBF (IEC 61709, SN 29500) | > 720000 h (According to EN 29500) |
| Ambient temperature (operation) | -25 °C ... 70 °C (> 60 °C derating) |
| Ambient temperature (storage/transport) | -40 °C ... 85 °C |
| Max. permissible relative humidity (operation) | ≤ 95 % (at 25 °C, no condensation) |
| Mounting position | horizontal DIN rail NS 35, EN 60715 |
| Assembly instructions | Alignable: 5 mm horizontally, 15 mm next to active components, 50 mm vertically |
| Electromagnetic compatibility | Conformance with EMC Directive 2004/108/EC |
| Noise immunity | EN 61000-6-2:2005 |
| Low Voltage Directive | Conformance with LV directive 2006/95/EC |
| Standard – Electrical equipment of machines | EN 60204 |
| Standard - Electrical safety | EN 60950-1/VDE 0805 (SELV) |
| Standard – Electronic equipment for use in electrical power installations and their assembly into electrical power installations | EN 50178/VDE 0160 (PELV) |
| Standard – Safety extra-low voltage | IEC 60950-1 (SELV) and EN 60204 (PELV) |
| UL approvals | UL/C-UL listed UL 508 |
| UL approvals | UL/C-UL Recognized UL 60950 |

Redundancy module - QUINT-ORING/24DC/2X20/1X40 - 2320186

Technical data

General data

| | |
|--------------|--|
| UL approvals | UL ANSI/ISA-12.12.01 Class I, Division 2, Groups A, B, C, D (Hazardous Location) |
|--------------|--|

Connection data, input

| | |
|--|---------------------|
| Connection method | Screw connection |
| Conductor cross section solid min. | 0.2 mm ² |
| Conductor cross section solid max. | 6 mm ² |
| Conductor cross section stranded min. | 0.2 mm ² |
| Conductor cross section stranded max. | 4 mm ² |
| Conductor cross section AWG/kcmil min. | 10 |
| Stripping length | 8 mm |
| Screw thread | M3 |

Connection data, output

| | |
|--|---------------------|
| Connection method | Screw connection |
| Conductor cross section solid min. | 0.5 mm ² |
| Conductor cross section solid max. | 16 mm ² |
| Conductor cross section stranded min. | 0.5 mm ² |
| Conductor cross section stranded max. | 16 mm ² |
| Conductor cross section AWG/kcmil min. | 6 |
| Stripping length | 10 mm |

Signaling

| | |
|--|--|
| Output name | Redundancy OK, 13/14 |
| Output description | Group contact |
| Maximum switching voltage | max. 30 V AC/DC |
| Maximum inrush current | ≤ 100 mA (short-circuit resistant) |
| Status display | LED redundancy OK |
| Note on status display | Green |
| Conductor cross section solid min. | 0.2 mm ² |
| Conductor cross section solid max. | 6 mm ² |
| Conductor cross section stranded min. | 0.2 mm ² |
| Conductor cross section stranded max. | 4 mm ² |
| Conductor cross section AWG/kcmil min. | 16 |
| Conductor cross section AWG/kcmil max | 10 |
| Tightening torque, min | 0.5 Nm |
| Tightening torque max | 0.6 Nm |
| Screw thread | M3 |
| Output name | ACB (Auto Current Balancing) OK, 23/24 |

Redundancy module - QUINT-ORING/24DC/2X20/1X40 - 2320186

Technical data

Signaling

| | |
|---------------------------|---|
| Output description | Contact closed: $\Delta U_{IN} \leq 300 \text{ mV}$ |
| Maximum switching voltage | max. 30 V AC/DC |
| Maximum inrush current | $\leq 100 \text{ mA}$ (short-circuit resistant) |
| Status display | ACB OK LED |
| Note on status display | LED bar graph green |

Classifications

ETIM

| | |
|----------|----------|
| ETIM 3.0 | EC000599 |
| ETIM 4.0 | EC000599 |
| ETIM 5.0 | EC000599 |

UNSPSC

| | |
|---------------|----------|
| UNSPSC 11 | 39121004 |
| UNSPSC 12.01 | 39121004 |
| UNSPSC 13.2 | 39121004 |
| UNSPSC 6.01 | 30211502 |
| UNSPSC 7.0901 | 39121004 |

eCl@ss

| | |
|------------|----------|
| eCl@ss 4.0 | 27250311 |
| eCl@ss 4.1 | 27250311 |
| eCl@ss 5.0 | 27242213 |
| eCl@ss 5.1 | 27242213 |
| eCl@ss 6.0 | 27049005 |
| eCl@ss 7.0 | 27049005 |

Approvals

Approvals

Approvals

UL Recognized / UL Listed / cUL Recognized / cUL Listed / RINA / GL / cULus Recognized / cULus Listed

Ex Approvals

UL Listed / cUL Listed / IECEx / ATEX / cULus Listed


Redundancy module - QUINT-ORING/24DC/2X20/1X40 - 2320186


Approvals

Approvals submitted

Approval details

UL Recognized 

UL Listed 


cUL Recognized 

cUL Listed 

RINA

GL

cULus Recognized 

cULus Listed 

Accessories

Accessories

Redundancy module - QUINT-ORING/24DC/2X20/1X40 - 2320186

Accessories

Assembly adapters - UTA 107/30 - 2320089



Universal DIN rail adapter

Assembly adapters - UWA 182/52 - 2938235



Universal wall adapter

Assembly adapters - QUINT-PS-ADAPTERS7/1 - 2938196

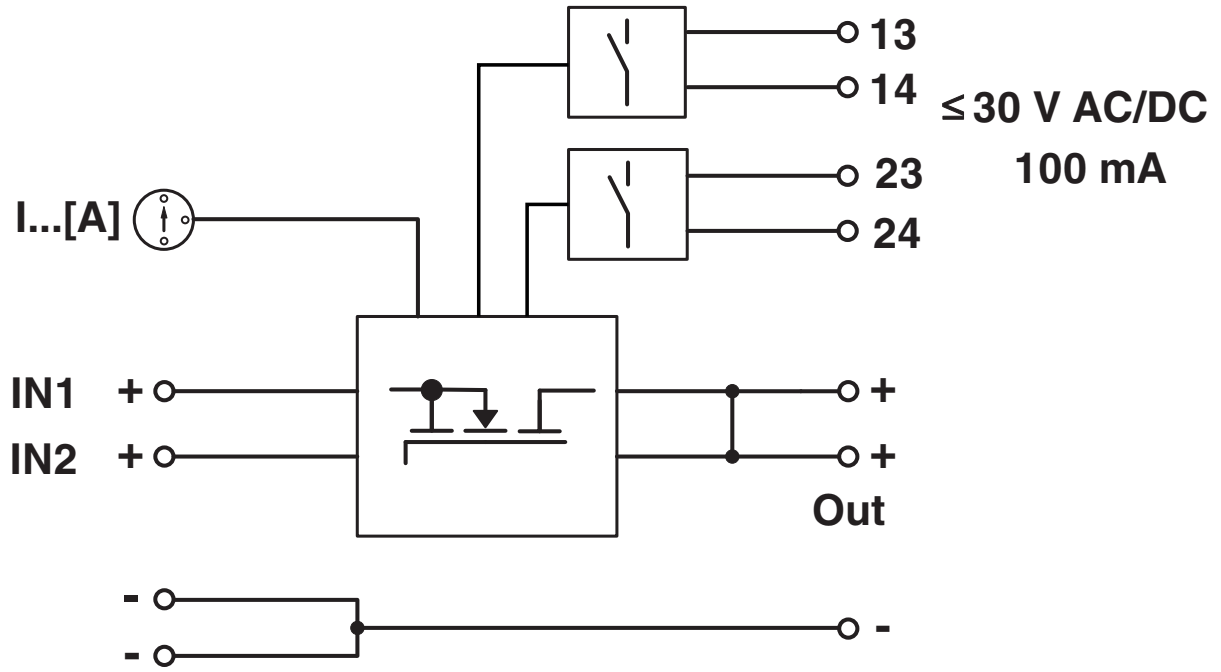


Assembly adapter for QUINT-PS... power supply on S7-300 rail

Drawings

Redundancy module - QUINT-ORING/24DC/2X20/1X40 - 2320186

Block diagram



单击下面可查看定价，库存，交付和生命周期等信息

[>>Phoenix Contact\(菲尼克斯\)](#)