

Flush-type connector - SACC-CIP-M8FSB-5P SMD SH R32 - 1412259

Please be informed that the data shown in this PDF Document is generated from our Online Catalog. Please find the complete data in the user's documentation. Our General Terms of Use for Downloads are valid (<http://phoenixcontact.com/download>)



Flush-type connector, Universal, 5-position, SocketLink:straightLink:M8, B-coded, PCB mounting, SMD

Why buy this product

- Reduced mounting costs thanks to two-piece device connector
- Packaging available for automated pick and place assembly
- All common pin assignments and codings available
- Easy device integration thanks to mechanical port screw connections with threaded attachment, press-in contour or direct integration in the front plate
- Additional gasket for the device when not plugged in



Key Commercial Data

Packing unit	1 STK
Minimum order quantity	100 STK
Custom tariff number	85366990
Country of origin	Germany

Technical data

Ambient conditions

Ambient temperature (operation)	-25 °C ... 105 °C (Plug / socket)
	-40 °C ... 105 °C (without mechanical actuation)
Degree of protection	IP67 (correctly plugged in and locked)
	IP65 (not plugged in, by means of additional O-ring seal with device)

General

Note	The electrical and mechanical data specified assume that the connector pair is correctly locked and mounted. If the connector is unlocked and if
------	--

Flush-type connector - SACC-CIP-M8FSB-5P SMD SH R32 - 1412259

Technical data

General

	there is a danger of contamination, the connector must be sealed using a protective cap > IP54. Influences arising from litz wires, cables or PCB assembly must also be taken into consideration.
Rated current at 40°C	3 A
Rated voltage	30 V
Number of positions	5
Insulation resistance	≤ 100 MΩ
Coding	B - standard
Standards/regulations	M8 connector IEC 61076-2-104
Signal type/category	Universal
Overvoltage category	II
Connection method	SMD
Mounting type	PCB mounting
Type of packaging	Belt

Material

Flammability rating according to UL 94	V0
Contact material	CuZn
Contact surface material	Au
Contact carrier material	PA
Sealing material	FKM

Cable

Standards/specifications	M8 connector IEC 61076-2-104
--------------------------	------------------------------

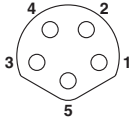
Standards and Regulations

Standard designation	M8 connector
Standards/regulations	IEC 61076-2-104
Flammability rating according to UL 94	V0

Drawings

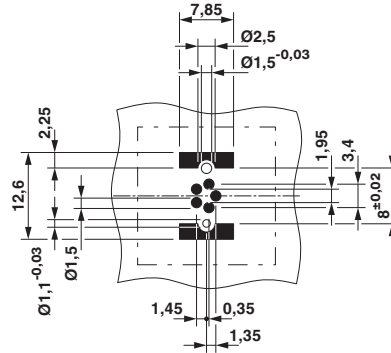
Flush-type connector - SACC-CIP-M8FSB-5P SMD SH R32 - 1412259

Schematic diagram



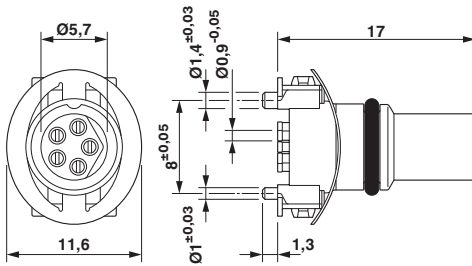
Pin assignment of M8 socket, 5-pos., B-coded

Drilling diagram



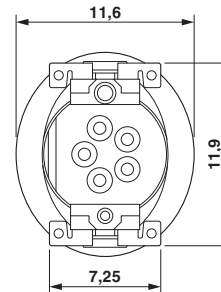
Drilling diagram

Dimensional drawing



M8 panel-mount connector, socket, two parts

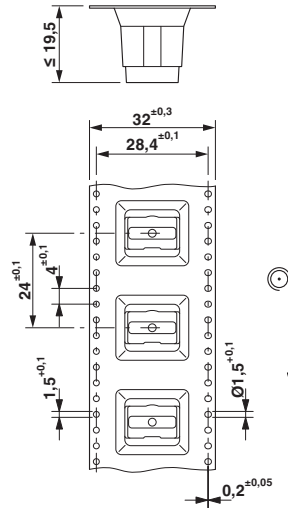
Dimensional drawing



View of solder side

Flush-type connector - SACC-CIP-M8FSB-5P SMD SH R32 - 1412259

Dimensional drawing



SMD tape-on-reel packing

Classifications

eCl@ss

eCl@ss 5.1	27143423
eCl@ss 6.0	27279220
eCl@ss 8.0	27440103
eCl@ss 9.0	27440102

ETIM

ETIM 5.0	EC002061
----------	----------

Approvals

Approvals

Approvals

EAC / cULus Recognized

Ex Approvals

Approvals submitted

Flush-type connector - SACC-CIP-M8FSB-5P SMD SH R32 - 1412259

Approvals

Approval details

EAC

cULus Recognized	
Nominal current I _N	3 A
Nominal voltage U _N	30 V

Accessories

Accessories

Contact insert

Sample set - SACC-CIP-M8FSB-5P SMD SH-SP - 1418661



Sample set, Universal, 5-position, SocketLink:straightLink:M8, B-coded, PCB mounting, SMD

Panel mounting base

Housing screw connection - SACC-BP-F-M8/M12 SMD - 1412506



M8 socket, rear mounting

Housing screw connection - SACC-FP-F-M8/M10 SMD - 1412504



M8 socket, front mounting

Flush-type connector - SACC-CIP-M8FSB-5P SMD SH R32 - 1412259

Accessories

Housing screw connection - SACC-FP-F-M8/PRESS SMD - 1412501



M8 socket, press-in mounting

Phoenix Contact 2016 © - all rights reserved
<http://www.phoenixcontact.com>

单击下面可查看定价，库存，交付和生命周期等信息

[>>Phoenix Contact\(菲尼克斯\)](#)