

Cable gland - G-ESIS-M32-M68L-PEPDS-BL - 1415119

Please be informed that the data shown in this PDF Document is generated from our Online Catalog. Please find the complete data in the user's documentation. Our General Terms of Use for Downloads are valid (<http://phoenixcontact.com/download>)



Cable gland, Cable gland material: Polyamide, Application: Ex, External cable diameter 13 mm ... 21 mm, Shielding: No, Connecting thread: M32, Color: black/blue

The figure shows the G-ESIS-M25-M68L-PEPDS-BL version



Key Commercial Data

Packing unit	1 pc
Minimum order quantity	5 pc
Custom tariff number	39269097
Country of origin	Germany

Technical data

Dimensions

Length	45 mm
Length without connecting thread	30 mm
Connecting thread diameter	32 mm
Wrench size, union nut	36 mm
Wrench size, support	36 mm
Hexagon angular dimension GRP	41 mm
Length of the connecting thread	15 mm
External cable diameter	13 mm ... 21 mm

Ambient conditions

Degree of protection	IP66
	IP68 (5 bar / 0.5 h)
Ambient temperature (operation)	-40 °C ... 75 °C

Cable gland - G-ESIS-M32-M68L-PEPDS-BL - 1415119

Technical data

General

Cable gland material	Polyamide
Seal material	EPDM
O-ring material	EPDM
Thread type on connection side	M32
Torque	4.5 Nm (Support)
Tightening torque, union nut	3.00 Nm
Color	black/blue
ATEX	II 2 G Ex e IIC Gb, II 2 D Ex tb IIIC Db
IECEX	Ex e IIC Gb, Ex tb IIIC Db

Classifications

eCl@ss

eCl@ss 5.1	27149109
eCl@ss 6.0	27149109

ETIM

ETIM 5.0	EC000441
----------	----------

Approvals

Approvals

Approvals

GL

Ex Approvals

ATEX / IECEX / EAC Ex

Approvals submitted

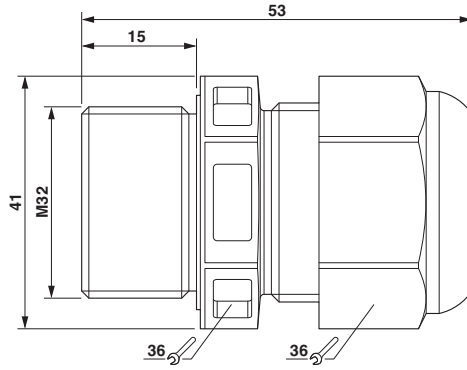
Approval details

--

Cable gland - G-ESIS-M32-M68L-PEPDS-BL - 1415119

Drawings

Dimensional drawing



Phoenix Contact 2015 © - all rights reserved
<http://www.phoenixcontact.com>

单击下面可查看定价，库存，交付和生命周期等信息

[>>Phoenix Contact\(菲尼克斯\)](#)