

Surge protection device - TT-STTB-F - 2858305

Please be informed that the data shown in this PDF Document is generated from our Online Catalog. Please find the complete data in the user's documentation. Our General Terms of Use for Downloads are valid (<http://phoenixcontact.com/download>)

Spring-cage terminal block with gas-filled surge arrester as coarse protection, for mounting on NS 35/7,5



Key commercial data

Packing unit	1 pc
Weight per Piece (excluding packing)	18.32 GRM
Custom tariff number	85363010
Country of origin	Germany

Technical data

Dimensions

Height	83.5 mm
Width	6.2 mm
Depth	47.5 mm

Ambient conditions

Ambient temperature (operation)	-40 °C ... 85 °C
Degree of protection	IP20

General

Housing material	PA 6.6
Inflammability class according to UL 94	V0
Color	black
Standards for air and creepage distances	IEC 60664-1 VDE 0110-1
Mounting type	DIN rail: 35 mm
Type	Double-level terminal block
Direction of action	Line-Line

Surge protection device - TT-STTB-F - 2858305

Technical data

Protective circuit

IEC test classification	C1
	C2
	D1
Nominal voltage U_N	150 V DC
	110 V AC
Maximum continuous operating voltage U_c	150 V DC
	110 V AC
Maximum continuous voltage U_C (wire-wire)	150 V DC
	110 V AC
Nominal current I_N	2 A
Operating effective current I_c at U_c	$\leq 2 \mu A$
Nominal discharge current I_n (8/20) μs (Core-Core)	5 kA
Total surge current (8/20) μs	5 kA
Output voltage limitation at 1 kV/ μs (Core-Core) spike	$\leq 650 V$
Output voltage limitation at 1 kV/ μs (Core-Core) static	$\leq 650 V$
Voltage protection level U_p (Core-Core)	$\leq 650 V$ (C2 (10 kV/5 kA))
Voltage protection level U_p (Core-Earth)	C2
Response time t_A (Core-Core)	$\leq 100 ns$
Capacity (Core-Core)	2 pF (1 MHz)
Surge current resistance (conductor-conductor)	C1 - 1 kV/500 A
	C2 - 10 kV/5 kA
	D1 (500 A)
Alternating current carrying capacity (conductor-conductor)	2.5 A (1 s)
Alternating current carrying capacity (conductor-ground)	2.5 A (1 s)

Connection data

Connection method	Spring-cage connection
Connection type IN	Spring-cage
Connection type OUT	Spring-cage
Conductor cross section stranded min.	0.5 mm ²
Conductor cross section stranded max.	4 mm ²
Conductor cross section solid min.	0.5 mm ²
Conductor cross section solid max.	6 mm ²
Conductor cross section AWG/kcmil min.	20
Conductor cross section AWG/kcmil max	10

Standards and Regulations

Surge protection device - TT-STTB-F - 2858305

Technical data

Standards and Regulations

Standards/regulations	IEC 61643-21
-----------------------	--------------

Classifications

eCl@ss

eCl@ss 4.0	27140201
eCl@ss 4.1	27130801
eCl@ss 5.0	27130801
eCl@ss 5.1	27130801
eCl@ss 6.0	27130807
eCl@ss 7.0	27130807
eCl@ss 8.0	27130807

ETIM

ETIM 2.0	EC000943
ETIM 3.0	EC000943
ETIM 4.0	EC000943
ETIM 5.0	EC000943

UNSPSC

UNSPSC 6.01	30212010
UNSPSC 7.0901	39121610
UNSPSC 11	39121610
UNSPSC 12.01	39121610
UNSPSC 13.2	39121620

Approvals

Approvals

Approvals

GOST / GOST

Ex Approvals

Approvals submitted

Surge protection device - TT-STTB-F - 2858305

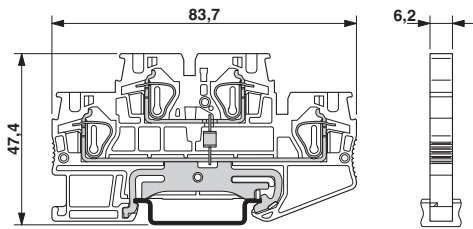
Approvals

Approval details

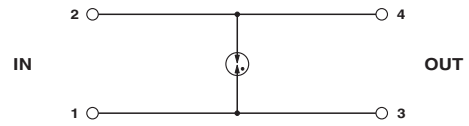


Drawings

Dimensioned drawing

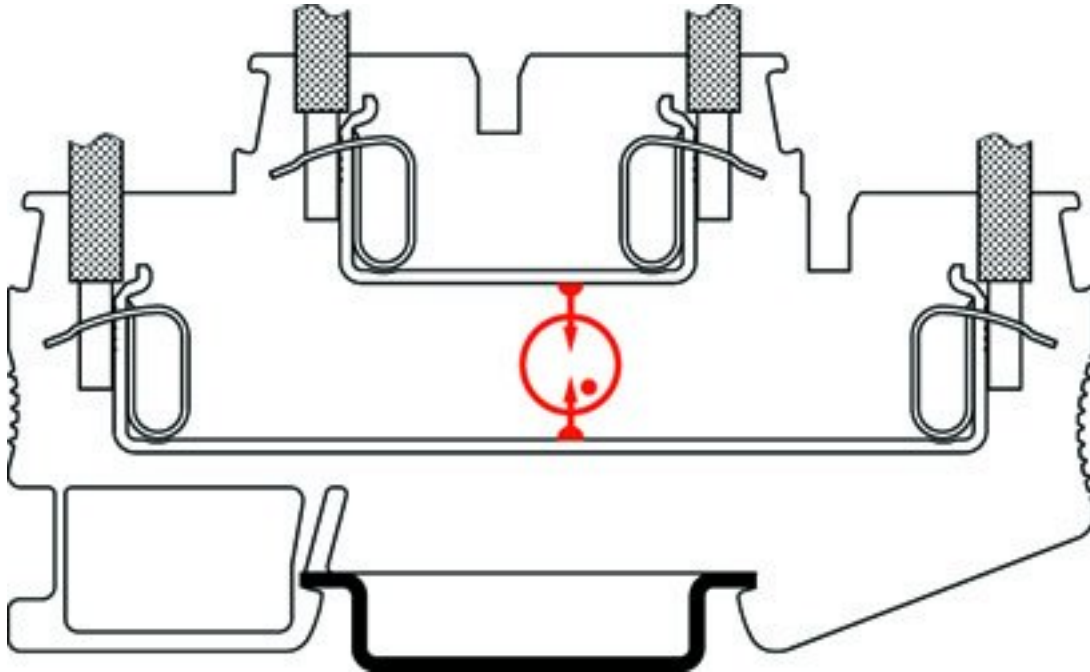


Circuit diagram



Surge protection device - TT-STTB-F - 2858305

Schematic diagram



单击下面可查看定价，库存，交付和生命周期等信息

[>>Phoenix Contact\(菲尼克斯\)](#)