


C-RC 50/M10 DIN

Order No.: 3240112

<http://eshop.phoenixcontact.de/phoenix/treeViewClick.do?UID=3240112>Ring cable lug, non-insulated, 50 mm², M10**Commercial data**

| | |
|--------------------------|---|
| GTIN (EAN) |  4 046356 453295 |
| sales group | B282 |
| Pack | 100 pcs. |
| Customs tariff | 85369010 |
| Catalog page information | Page 670 (CL-2009) |

Product notesWEEE/RoHS-compliant since:
09/24/2008

<http://www.download.phoenixcontact.com>
Please note that the data given here has been taken from the online catalog. For comprehensive information and data, please refer to the user documentation. The General Terms and Conditions of Use apply to Internet downloads.

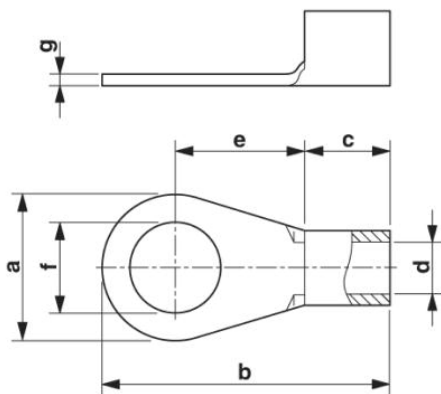
Technical data**General**

| | |
|---------------------------------|--------|
| Length (b) | 43 mm |
| Width (a) | 18 mm |
| Color | silver |
| Ambient temperature (operation) | 110 °C |
| Material | Copper |

| | |
|---|---------|
| Length of insulation sleeve (c) | 16 mm |
| Inner dimension of the insulating collar (d) | 11 mm |
| Distance between the center and the insulation sleeve (e) | 18 mm |
| Inner diameter (f) | 10.5 mm |
| Material thickness (g) | 1.8 mm |

Diagrams/Drawings

Dimensioned drawing



Address

PHOENIX CONTACT Deutschland GmbH
Flachmarktstr. 8
32825 Blomberg, Germany
Phone +49 5235 3 12000
Fax +49 5235 3 41200
<http://www.phoenixcontact.de>



© 2011 Phoenix Contact
Technical modifications reserved;

单击下面可查看定价，库存，交付和生命周期等信息

[>>Phoenix Contact \(菲尼克斯\)](#)