

# Support - AB2/SS - 0404431

Please be informed that the data shown in this PDF Document is generated from our Online Catalog. Please find the complete data in the user's documentation. Our General Terms of Use for Downloads are valid (<http://download.phoenixcontact.com>)



Double support, insulating material, optionally for use with 3 mm x 10 mm or 6 mm x 6 mm busbar, height: 48 mm

## Product description

Double support, insulating material, optionally for use with 3 mm x 10 mm or 6 mm x 6 mm busbar, height: 48 mm



## Key commercial data

Packing unit	1
Minimum order quantity	10
Catalog page	Page 354 (CL2-2011)
GTIN	 4 017918 001896
Weight per piece (including packing)	0.0 GRM
Weight per Piece (excluding packing)	6.64 GRM
Country of origin	POLAND

## Technical data

### General

Length (b)	42 mm
Height	48 mm
Width (a)	19 mm
Color	gray
Inflammability class according to UL 94	V2
Components	free from silicone and halogen
Material	PA

## Classifications

### eClass

eClass 4.0	23150301
eClass 4.1	23150301
eClass 5.0	27141143

# Support - AB2/SS - 0404431

## Classifications

### eclass

eClass 5.1	27141143
eClass 6.0	27141143

### etim

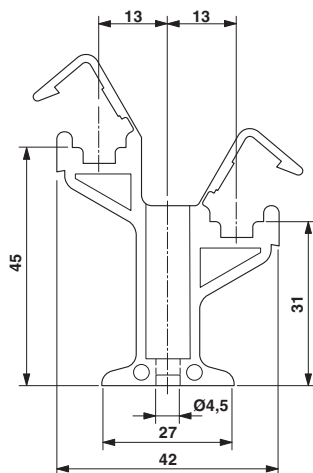
ETIM 2.0	EC000761
ETIM 3.0	EC000761
ETIM 4.0	EC000761

### unspsc

UNSPSC 6.01	30212109
UNSPSC 7.0901	39121708
UNSPSC 11	39121708
UNSPSC 12.01	39121708
UNSPSC 13.2	39121708

## Drawings

### Dimensioned drawing



单击下面可查看定价，库存，交付和生命周期等信息

[>>Phoenix Contact\(菲尼克斯\)](#)