

## Cable feed-through plates - MC-3/7-MULTI-67-PV-LG - 1415234

Please be informed that the data shown in this PDF Document is generated from our Online Catalog. Please find the complete data in the user's documentation. Our General Terms of Use for Downloads are valid (<http://phoenixcontact.com/download>)



Cable feed-through plates, No. of conductors: 7, Length: 92 mm, Width: 222 mm, Height: 76 mm, Color: light gray



### Key Commercial Data

Packing unit	1 pc
Weight per Piece (excluding packing)	280.0 g
Custom tariff number	39269097
Country of origin	Finland

### Technical data

#### Dimensions

Length	92 mm
Width	222 mm
Height	76 mm
Drill hole distance, horizontal	62 mm
Drill hole distance, vertical	194 mm
Inside height	33 mm
Outside height	53 mm
External cable diameter	1x 30 mm ... 60 mm
	4x 8 mm ... 16 mm
	2x 24 mm ... 54 mm

#### Ambient conditions

Degree of protection	IP66 (Minimum sheet thickness $\geq$ 2.5 mm)
	IP67 (Minimum sheet thickness $\geq$ 2.5 mm)
Ambient temperature (operation)	-40 °C ... 100 °C

#### General

# Cable feed-through plates - MC-3/7-MULTI-67-PV-LG - 1415234

## Technical data

### General

No. of conductors	7
Material	TPE-SEBS
Flammability rating according to UL 94	V0
Color	light gray
Torque	1.5 Nm ... 2 Nm (Mounting screws)
Note	incl. mounting screws
Installation instructions	M8 mounting screw, torque: 1.5 - 2.0 Nm, SW5 Allen key
	The mounting screws included should be used for assembly. Assembly steps: 1) Fix multigates with the mounting screws provided (observe torque), 2) Make a hole in the membrane (with screwdriver) or cut off the tip of the cone, 3) Guide the cable through the opening, 4) Strip back cable approx. 20 mm (to improve strain relief).

## Classifications

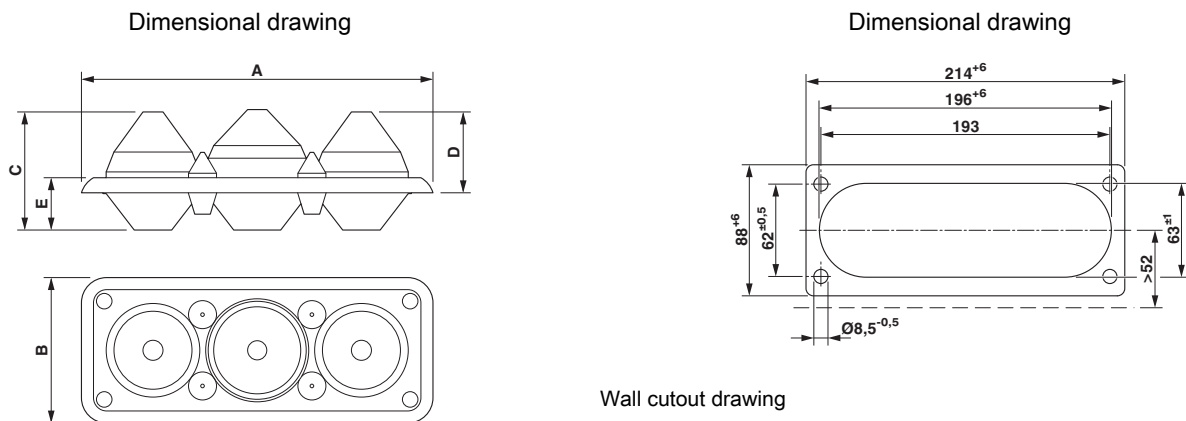
### eCl@ss

eCl@ss 5.1	23110102
eCl@ss 6.0	23110102

### ETIM

ETIM 5.0	EC001004
----------	----------

## Drawings



单击下面可查看定价，库存，交付和生命周期等信息

[>>Phoenix Contact\(菲尼克斯\)](#)