

DIN rail perforated - NS 35/ 7.5 PERF 955MM - 1207653

Please be informed that the data shown in this PDF Document is generated from our Online Catalog. Please find the complete data in the user's documentation. Our General Terms of Use for Downloads are valid (<http://download.phoenixcontact.com>)



DIN rail, material: steel galvanized and passivated with a thick layer, perforated, height 7.5 mm, width 35 mm, length: 955 mm

Key commercial data

Packing unit	1
Minimum order quantity	10
Catalog page	Page 341 (CL2-2011)
GTIN	 4 017918 932633
Custom tariff number	72166190
Country of origin	GERMANY

Technical data

General data

Height	7.5 mm
Length	955 mm
Width	35 mm
Material	Steel
Coating	Galvanized, passivated with a thick layer
Color	silver
Test standard	In acc. with EN 60715: 2001

Classifications

eclass

eCl@ss 4.0	23150301
eCl@ss 4.1	23150301
eCl@ss 5.0	27141143
eCl@ss 5.1	27141143
eCl@ss 6.0	27141143
eCl@ss 7.0	27141143

etim

ETIM 2.0	EC001285
----------	----------

DIN rail perforated - NS 35/ 7.5 PERF 955MM - 1207653

Classifications

etim

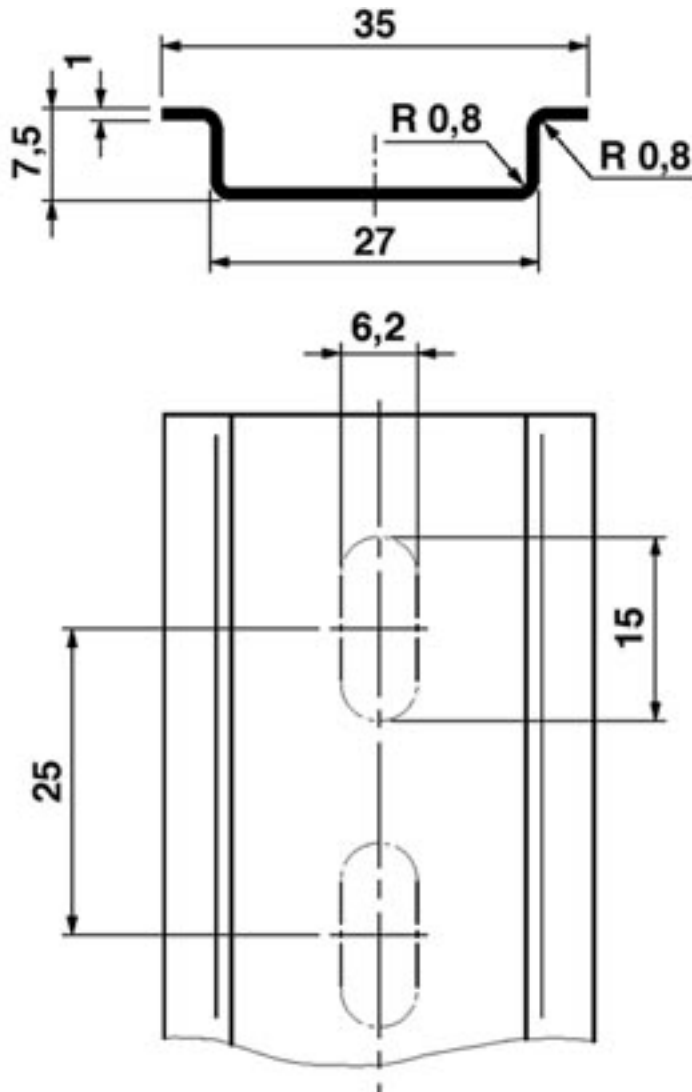
ETIM 3.0	EC001285
ETIM 4.0	EC001285

unspsc

UNSPSC 6.01	30212109
UNSPSC 7.0901	39121708
UNSPSC 11	39121708
UNSPSC 12.01	39121708
UNSPSC 13.2	39121708

Drawings

Dimensioned drawing



单击下面可查看定价，库存，交付和生命周期等信息

[>>Phoenix Contact \(菲尼克斯\)](#)