

## Panel feed-through - Q 1,5/3A50/13-M20KU-ESA - 1640731

Please be informed that the data shown in this PDF Document is generated from our Online Catalog. Please find the complete data in the user's documentation. Our General Terms of Use for Downloads are valid (<http://download.phoenixcontact.com>)

QUICKON panel feed-through, for the front wall assembly with 50 cm long wires, 3-pos.



The illustration shows a 4-position version



### Key commercial data

Packing unit	1 pc
Minimum order quantity	10 pc
Weight per Piece (excluding packing)	56.35 GRM
Custom tariff number	85366990
Country of origin	Poland

### Technical data

#### General

Connection	If the conductor is reconnected, it must be cut off above the last contact point. QUICKON components may only be operated when under no load.
Length of cable	0.5 m
Connection method	QUICKON connection
	Individual wires
Number of positions	3
Wrench size, union nut	24 mm
Tightening torque, union nut	2.5 Nm
Wrench size, contact carrier	24 mm
Tightening torque contact carrier	3.75 Nm
Tightening torque, counter nut	3.75 Nm
Number of connections	3
Conductor cross section stranded min.	0.75 mm <sup>2</sup>
Conductor cross section stranded max.	1.5 mm <sup>2</sup>

# Panel feed-through - Q 1,5/3A50/13-M20KU-ESA - 1640731

## Technical data

### General

Conductor cross section AWG/kcmil min.	18
Conductor cross section AWG/kcmil max	16

### Conductor

Structure of individual litz in acc. with VDE 0295 / smallest wire diameter	VDE 0295 Cl.2-5, min. wire diameter 0.2 mm
Wire insulation material	PVC/PE
Wire diameter including insulation	>= 3 mm
Conductor cross section	1.5 mm <sup>2</sup> (Pos. 1: Brown; pos. 2: White; pos. 3: Blue)

### Ambient conditions

Degree of protection	IP65
	IP67
Ambient temperature (operation)	-25 °C ... 80 °C (Specifications of the cable manufacturer must be observed.)
	-25 °C ... 50 °C (when the conductor is connected. Specifications of the cable manufacturer must also be observed.)

### Electrical characteristics

Nominal current I <sub>N</sub>	17.5 A
Rated voltage (III/3)	250 V
Note on the rated voltage (III/3)	with insulating sleeve
Rated voltage (III/2)	320 V
Note on the rated voltage (III/2)	with insulating sleeve
Rated voltage (II/2)	630 V
Note on the rated voltage (II/2)	with insulating sleeve

### Mechanical characteristics

QUICKON connectability	10 (if the conductor is connected more than once, seal and cap may need to be replaced.)
PC QUICKON thread type	M20 x 1,5 VDE certification available
Impact category	4

### Material data

Contact material	Copper alloy
Contact surface material	Pre-nickel plated and tin-plated
Contact carrier material	PA 66
Inflammability class according to UL 94	V0
Surge voltage category	III
Pollution degree	3

# Panel feed-through - Q 1,5/3A50/13-M20KU-ESA - 1640731

## Classifications

### eCl@ss

eCl@ss 4.0	27140815
eCl@ss 4.1	27140815
eCl@ss 5.0	27143423
eCl@ss 5.1	27143423
eCl@ss 6.0	27143423
eCl@ss 7.0	27449001
eCl@ss 8.0	27449001

### ETIM

ETIM 2.0	EC001297
ETIM 3.0	EC000516
ETIM 4.0	EC000516
ETIM 5.0	EC000516

### UNSPSC

UNSPSC 6.01	30211923
UNSPSC 7.0901	39121522
UNSPSC 11	39121522
UNSPSC 12.01	39121522
UNSPSC 13.2	39121522

## Approvals

### Approvals

---

#### Approvals

UL Recognized / cUL Recognized / GOST / cULus Recognized

---

#### Ex Approvals

---

Approvals submitted

---

### Approval details

# Panel feed-through - Q 1,5/3A50/13-M20KU-ESA - 1640731

## Approvals

UL Recognized	
Nominal current IN	15 A
Nominal voltage UN	250 V

cUL Recognized	
Nominal current IN	11 A
Nominal voltage UN	250 V

GOST	
------	--

cULus Recognized	
------------------	--

## Accessories

### Accessories

#### Insulating sleeve

Insulating sleeve - PT/FS 4,8 - 1670497



Insulating sleeve, as touch protection, for 4.8 mm slip-on sleeves, slide onto the conductor before

## Mounting material

## Panel feed-through - Q 1,5/3A50/13-M20KU-ESA - 1640731

### Accessories

Nut - Q-MU M20 - 1640702



Nut (plastic) to lock the contact carrier from the inside of the device

---

### Pressure nut

Lock nut - Q-SMU PG13,5 SET COD2 - 1670963



Locking nut, can only be released with Allen wrench, coding 2

---

### Protective cap

Filler plugs - Q-PROT13/16 - 1670222



Closing caps, for Pg13/ Pg16, for closing unoccupied connections

---

### Socket spanner

Socket wrench - QSS 24 - 1670219



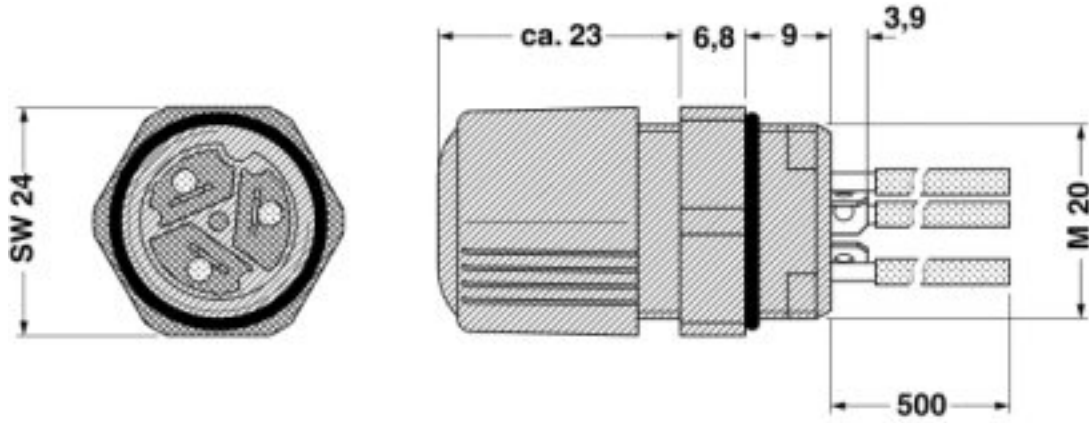
Allen wrench, for loosening and fastening the QUICKON union nut, WAF 24 mm

---

### Drawings

## Panel feed-through - Q 1,5/3A50/13-M20KU-ESA - 1640731

Dimensioned drawing



单击下面可查看定价，库存，交付和生命周期等信息

[>>Phoenix Contact \(菲尼克斯\)](#)