

# VAL-CP-3C-350


Order No.: 2859547



<http://eshop.phoenixcontact.de/phoenix/treeViewClick.do?UID=2859547>

Pluggable type 2 arrester (surge arrester) for 3-phase current supply networks with N and PE in a common conductor (4-conductor system: L1, L2, L3, PEN), with remote indication contact. Overall width: 36 mm.



Commercial data	
GTIN (EAN)	4 017918 960827 
sales group	J020
Pack	1 pcs.
Customs tariff	85363030
Catalog page information	Page 32 (TT-2011)

#### Product notes

WEEE/RoHS-compliant since:  
05/05/2006



<http://www.download.phoenixcontact.com>  
Please note that the data given here has been taken from the online catalog. For comprehensive information and data, please refer to the user documentation. The General Terms and Conditions of Use apply to Internet downloads.

## Technical data

Standards	
Housing material	PBT
Inflammability class acc. to UL 94	V0
Color	gray

Standards for air and creepage distances	DIN VDE 0110-1
	IEC 60664-1: 1992-10
	IEC 61643-1
Surge voltage category	III
Pollution degree	2
Degree of protection	IP20
Mounting type	DIN rail: 35 mm
Design	DIN rail module, two-section, divisible
Number of positions	3
Ambient temperature (operation)	-40 °C ... 80 °C
Message: Surge protection fault	Optical, remote indicator contact
Direction of action	3L-N/PE
Width	37.25 mm
Height	70.00 mm
Length	98.50 mm

**Protective circuit**

IEC category	II
	T2
EN type	T2
Nominal voltage $U_N$	240 V AC (230/400 V AC ... 240/415 V AC)
	415 V AC (L-L)
Arrester rated voltage $U_C$ (L-PEN)	350 V AC
$U_T$ (TOV-proof)	415 V AC (5 s)
Nominal frequency $f_N$	50 Hz
	60 Hz
Nominal load current $I_L$	40 A (40 A ... 63 A)
	63 A (10 mm <sup>2</sup> )
Ground conductor current $I_{PE}$	$\leq 250 \mu\text{A}$ (ground conductor current $I_{PE}$ )
Standby power consumption $P_c$	$\leq 3.5 \text{ mW}$
Power consumption without load $P_c$	$\leq 3.5 \text{ mW}$
Max. discharge surge current $I_{\text{max}}$ (8/20) $\mu\text{s}$ maximum (L-PEN)	120 kA (all channels)
Nominal discharge surge current $I_n$ (8/20) $\mu\text{s}$ (L-PEN)	20 kA (per channel)
	60 kA (all channels)

Protection level $U_p$ (L-PEN)	$\leq 1.4$ kV
Residual voltage (L-PEN)	$\leq 1.4$ kV (at $I_n$ )
	$\leq 1.2$ kV (at 10 kA)
	$\leq 1.1$ kV (at 5 kA)
	$\leq 1$ kV (at 3 kA)
Clamping voltage SVR (L-PEN)	$\leq 0.9$ kV
Clamping voltage ringwave (L-PEN)	$\leq 1.2$ kV (category C3 20 kV/10 kA)
	$\leq 1.1$ kV (category C2 10 kV/5 kA)
	$\leq 1$ kV (category B3/C1 6 kV/3 kA)
Response time (L-N)	$\leq 25$ ns
Max. required backup fuse with branch wiring	125 A (gL/gG)
Max. required backup fuse with V-type through wiring	40 A (gL/gG)
Short-circuit resistance $I_p$ with max. backup fuse (effective)	25 kA

#### Connection, protective circuit

Connection method	Screw connection
Connection type IN	Biconnect screw terminal block
Connection type OUT	Biconnect screw terminal block
Connection method	Biconnect terminal block
Screw thread	M5
Tightening torque	4.5 Nm
Stripping length	16 mm
Conductor cross section stranded min.	2.5 mm <sup>2</sup>
Conductor cross section stranded max.	16 mm <sup>2</sup>
Conductor cross section solid min.	2.5 mm <sup>2</sup>
Conductor cross section solid max.	25 mm <sup>2</sup>
Conductor cross section AWG/kcmil min.	12
Conductor cross section AWG/kcmil max	4

#### Remote indicator contact

Connection name	Remote fault indicator contact
Switching function	PDT contact
Connection method	Pluggable screw connection
Screw thread	M2
Tightening torque	0.25 Nm

Stripping length	7 mm
Conductor cross section stranded min.	0.14 mm <sup>2</sup>
Conductor cross section stranded max.	1.5 mm <sup>2</sup>
Conductor cross section solid min.	0.14 mm <sup>2</sup>
Conductor cross section solid max.	1.5 mm <sup>2</sup>
Conductor cross section AWG/kcmil min.	28
Conductor cross section AWG/kcmil max	16
Maximum operating voltage U <sub>max</sub> AC	250 V AC
Maximum operating voltage U <sub>max</sub> DC	125 V DC
Max. operating current I <sub>max</sub>	1 A AC (inductive)
	1 A AC (ohmic)
	30 mA DC (inductive)
	200 mA DC (ohmic)
Min. permissible switching capacity	0.12 VA (12 V, 10 mA)

#### Standards

Standards/regulations	IEC 61643-1 1998
	DIN EN 61643-11 2002
	UL 1449
	IEEE C62.1 / C62.34 / C62.45

#### Certificates / Approvals



Certification CB, CUL, GL, GOST, KEMA, UL

#### Accessories

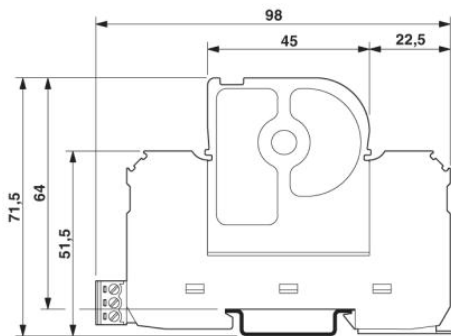
Item	Designation	Description
<b>Bridges</b>		
2880684	MPB SET VAL-CP-3S	Wiring bridge set, consisting of three flexible bridges 15 cm black, 1 bridge 27 cm blue.

**Marking**

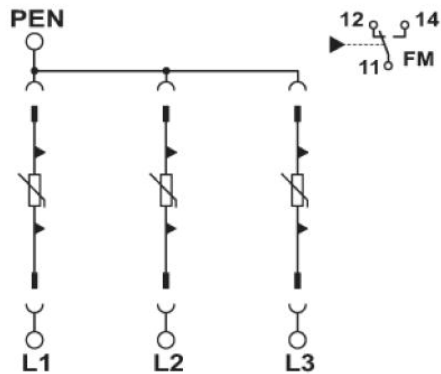
0811228	X-PEN 0,35	Marker pen without ink cartridge, for manual labeling of markers, labeling extremely wipe-proof, line thickness 0.35 mm
0809735	ZBF 12:UNBEDRUCKT	Zack strip, flat, unprinted, 5-section, divisible, for labeling by the customer
0803595	ZBFM 5/WH:UNBEDRUCKT	Zack marker sheet, flat, unprinted: 120-section, 10 strips à 12 markers, sufficient for 120 terminal blocks, for all terminal blocks, pitch 5.2 mm, labeling with M-PEN or CMS system, color: white

**Diagrams/Drawings**

Dimensioned drawing



Circuit diagram



**Address**

PHOENIX CONTACT Inc., USA  
586 Fulling Mill Road  
Middletown, PA 17057, USA  
Phone (800) 888-7388  
Fax (717) 944-1625  
<http://www.phoenixcon.com>



© 2011 Phoenix Contact  
Technical modifications reserved;

单击下面可查看定价，库存，交付和生命周期等信息

[>>Phoenix Contact \(菲尼克斯\)](#)