

## DIN rail perforated - NS 35/ 7,5 PERFORATED - 0801733

Please be informed that the data shown in this PDF Document is generated from our Online Catalog. Please find the complete data in the user's documentation. Our General Terms of Use for Downloads are valid (<http://download.phoenixcontact.com>)



DIN rail, material: steel galvanized and passivated with a thick layer, perforated, height 7.5 mm, width 35 mm, length: 2000 mm



### Key commercial data

Packing unit	1
Minimum order quantity	5
Catalog page	Page 341 (CL2-2011)
GTIN	 4 017918 006686
Weight per Piece (excluding packing)	640.0 GRM
Country of origin	GERMANY

### Technical data

#### General data

Height	7.5 mm
Length	2000 mm
Width	35 mm
Material	Steel
Coating	Galvanized, passivated with a thick layer
Color	silver
Test standard	In acc. with EN 60715: 2001

### Classifications

#### eclass

eCl@ss 4.0	23150301
eCl@ss 4.1	23150301
eCl@ss 5.0	27141143
eCl@ss 5.1	27141143
eCl@ss 6.0	27141143

# DIN rail perforated - NS 35/ 7,5 PERFORATED - 0801733

## Classifications

etim

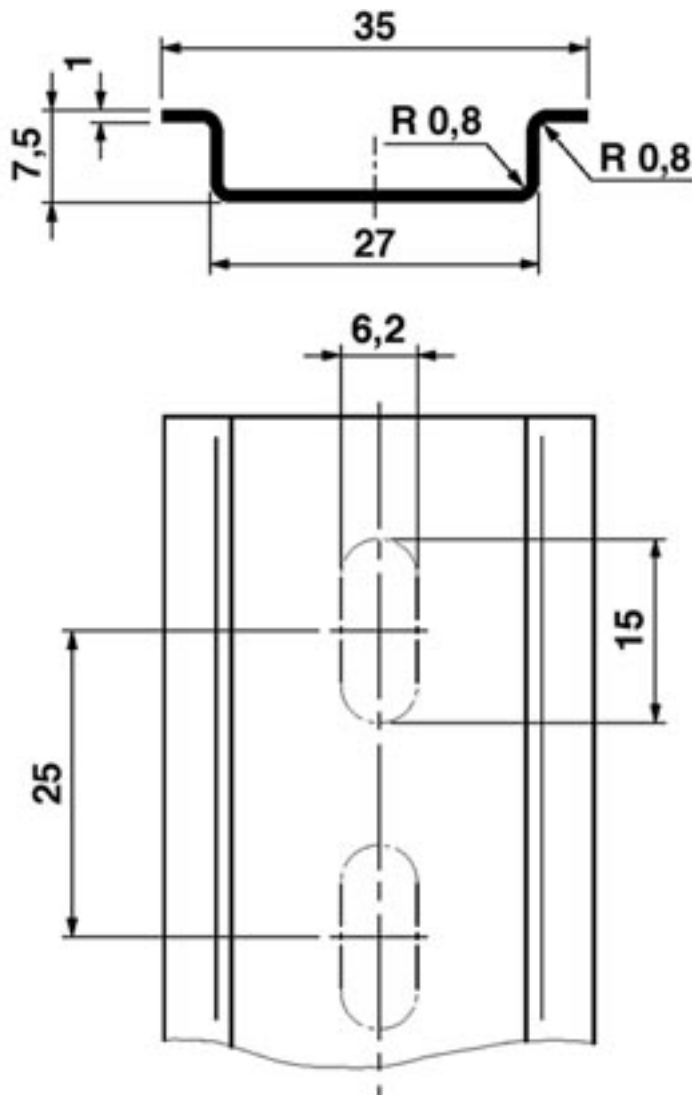
ETIM 2.0	EC001285
ETIM 3.0	EC001285
ETIM 4.0	EC001285

unspsc

UNSPSC 6.01	30212109
UNSPSC 7.0901	39121708
UNSPSC 11	39121708
UNSPSC 12.01	39121708
UNSPSC 13.2	39121708

## Drawings

Dimensioned drawing





单击下面可查看定价，库存，交付和生命周期等信息

[>>Phoenix Contact\(菲尼克斯\)](#)