

Power module - CAPAROC PM S-R



1115661

<https://www.phoenixcontact.com/us/products/1115661>

Please be informed that the data shown in this PDF document is generated from our Online Catalog. Please find the complete data in the user documentation. Our General Terms of Use for Downloads are valid.



Power module with status output and reset input for supplying the CAPAROC circuit breaker system with 12 or 24 V DC. For DIN rail installation via the CAPAROC current rails.

Your advantages

- The benchmark that you can customize by selecting single signals and resets all the way to PROFINET communication
- Particularly easy operation for everyone with tool-free assembly, direct feed-in to the busbar, and clear operating states
- Exceptionally easy design-in thanks to the comprehensive digital data packet and PROFINET function blocks

Commercial Data

Item number	1115661
Packing unit	1 pc
Minimum order quantity	1 pc
Note	Made to Order (non-returnable)
Sales Key	C34
Product Key	CLA231
GTIN	4063151040635
Weight per Piece (including packing)	127.6 g
Weight per Piece (excluding packing)	91.9 g
Customs tariff number	85363030
Country of origin	DE

Technical Data

Notes

General

Note	LABS release – in accordance with test specification VW PV 3. 10.7:2005-0
	When connecting the conductor, make sure that the CAPAROC modules are not pulled apart due to tensile force. Gaps must not be created between the modules.

Product properties

Product type	Device circuit breakers
Number of slots	2

Insulation characteristics

Protection class	III
Pollution degree	2

Electrical properties

General

Operating voltage	10 V DC ... 30 V DC
Rated voltage	12 V DC
	24 V DC
Rated current I_N	45 A DC (Total current input)
Rated surge voltage	0.5 kV
Tripping method	E (electronic)
Dielectric strength	35 V DC (Load circuit)
Efficiency	> 99 %
Closed circuit current I_0	typ. 9 mA (no load at 24 V)
Power dissipation	typ. 0.22 W (no load at 24 V)
	< 1.5 W (in nominal operation at 24 V and 45 A)
Temperature derating	45 A (Total current at 40°C)
	30 A (Total current at 65 °C)
MTBF (IEC 61709, SN 29500)	18886912.65 h (at 25 °C with 21 % load)
	5907048.64 h (at 40°C with 34.25% load)
	933563.97 h (at 40°C with 100% load)
Voltage drop	0.03 V (at 45 A)
Input voltage range	7 V DC ... 30 V DC (Reset with falling edge)
Current consumption	typ. 0.5 mA (at 24 V DC)
Pulse length	≥ 50 ms
Stripping length	8 mm
Conductor cross section solid	0.2 mm ² ... 1.5 mm ²
Conductor cross section AWG	24 ... 16
Conductor cross section, flexible, with ferrule, with plastic sleeve	0.2 mm ² ... 0.75 mm ²

Power module - CAPAROC PM S-R



1115661

<https://www.phoenixcontact.com/us/products/1115661>

Conductor cross section flexible, with ferrule without plastic sleeve	0.2 mm ² ... 1.5 mm ²
Output voltage	max. 30 V DC (Input voltage ±5% in the event of no error)
	0 V DC (Error)
Output current	max. 20 mA
Stripping length	8 mm
Conductor cross section solid	0.2 mm ² ... 1.5 mm ²
Conductor cross section AWG	24 ... 16
Conductor cross section, flexible, with ferrule, with plastic sleeve	0.2 mm ² ... 0.75 mm ²
Conductor cross section flexible, with ferrule without plastic sleeve	0.2 mm ² ... 1.5 mm ²
Output voltage	max. 30 V DC (Input voltage ±5% when I >80% at at least one channel)
Output current	max. 20 mA
Stripping length	8 mm
Conductor cross section solid	0.2 mm ² ... 1.5 mm ²
Conductor cross section AWG	24 ... 16
Conductor cross section, flexible, with ferrule, with plastic sleeve	0.2 mm ² ... 0.75 mm ²
Conductor cross section flexible, with ferrule without plastic sleeve	0.2 mm ² ... 1.5 mm ²

Connection data

Main circuit IN+

Connection method	Push-in connection
Stripping length	18 mm
Conductor cross section solid	0.5 mm ² ... 16 mm ²
Conductor cross section AWG	20 ... 8
Conductor cross section, flexible, with ferrule, with plastic sleeve	0.5 mm ² ... 16 mm ²
Conductor cross section flexible, with ferrule without plastic sleeve	0.5 mm ² ... 16 mm ²

Main circuit IN+

Connection method	Push-in connection
Stripping length	18 mm
Conductor cross section solid	0.5 mm ² ... 16 mm ²
Conductor cross section AWG	20 ... 8
Conductor cross section, flexible, with ferrule, with plastic sleeve	0.5 mm ² ... 16 mm ²
Conductor cross section flexible, with ferrule without plastic sleeve	0.5 mm ² ... 16 mm ²

Interfaces

PROFINET

Maximum system extension	≤ 20 (Modules)
--------------------------	----------------

LED signaling

Power module - CAPAROC PM S-R



1115661

<https://www.phoenixcontact.com/us/products/1115661>

Power (PWR) LED green	lit (with no channel errors)
	lit (Supply voltage in the nominal range)
	flashing (3 x on deactivation of programming lock)
Power (PWR) LED red	lit (Supply voltage outside the nominal range)

Dimensions

Dimensional drawing	
Width	12.4 mm
Height	132.4 mm
Depth	111.3 mm (incl. DIN rail 7.5 mm)

Material specifications

Color	light grey RAL 7035
Material	PA 6 (Housing)
	PA 6 (Pusher)
	PA 6 (Release lever)
	PC (Fiber optics)
Flammability rating according to UL 94	V-0

Environmental and real-life conditions

Ambient conditions

Degree of protection	IP20
Ambient temperature (operation)	-30 °C ... 65 °C
Ambient temperature (storage/transport)	-40 °C ... 70 °C
Altitude	≤ 4000 m (amsl (above mean sea level))
Humidity test	96 h, 95 % RH, 40 °C
Shock (operation)	30g (11 ms period, half-sine shock pulse, according to IEC 60068-2-27)
	25g (6 ms duration, half-sine shock pulse in accordance with IEC 60068-2-27, continuous shock)
Vibration (operation)	5g (10 ... 150 Hz / 10 cycles / axis / X, Y, Z)

Approval data

UL approval

Identification	UL/C-UL Listed UL 508
----------------	-----------------------

Standards and regulations

Standards/specifications	EN 61000-6-2
--------------------------	--------------

Power module - CAPAROC PM S-R



1115661

<https://www.phoenixcontact.com/us/products/1115661>

Standards/specifications	EN 61000-6-3
Standards/specifications	EN 60068-2-78
Standards/specifications	EN 50178
Standards/specifications	EN 60068-2-6
Standards/specifications	EN 60068-2-27

Mounting

Mounting type	pluggable onto CAPAROC CR... current rail
---------------	---

Power module - CAPAROC PM S-R

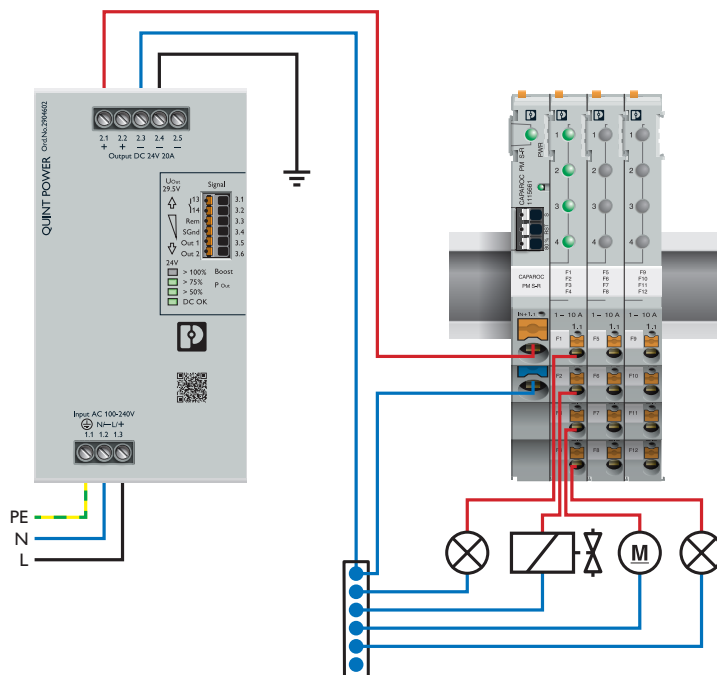


1115661

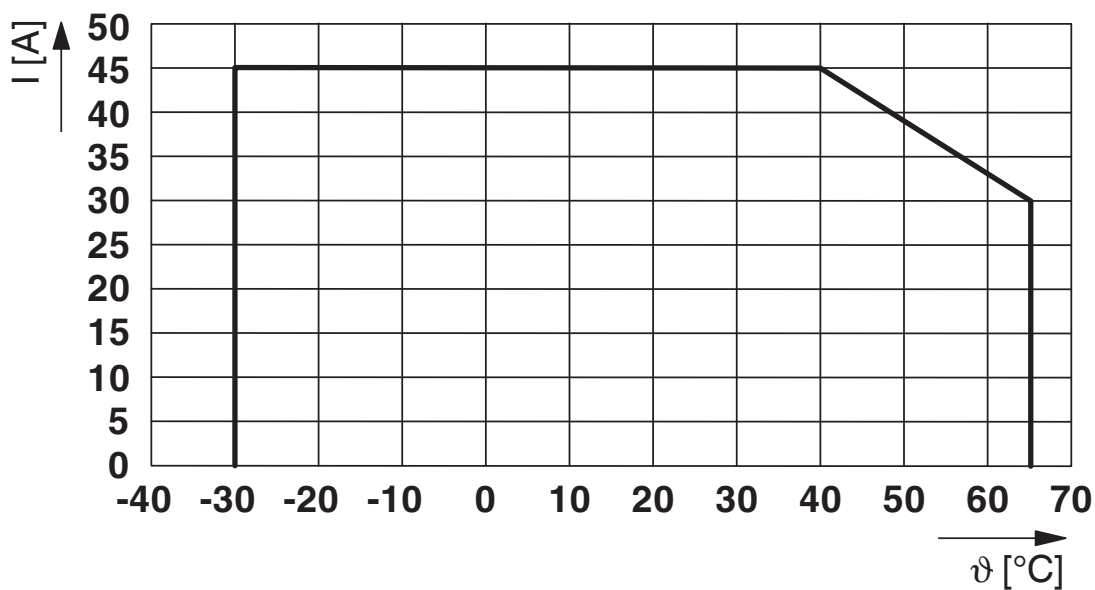
<https://www.phoenixcontact.com/us/products/1115661>

Drawings

Application drawing



Diagram



Max. permissible current in relation to the ambient temperature

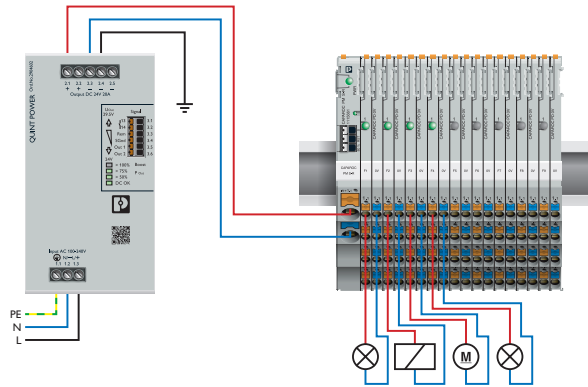
Power module - CAPAROC PM S-R

1115661

<https://www.phoenixcontact.com/us/products/1115661>



Application drawing



Product drawing

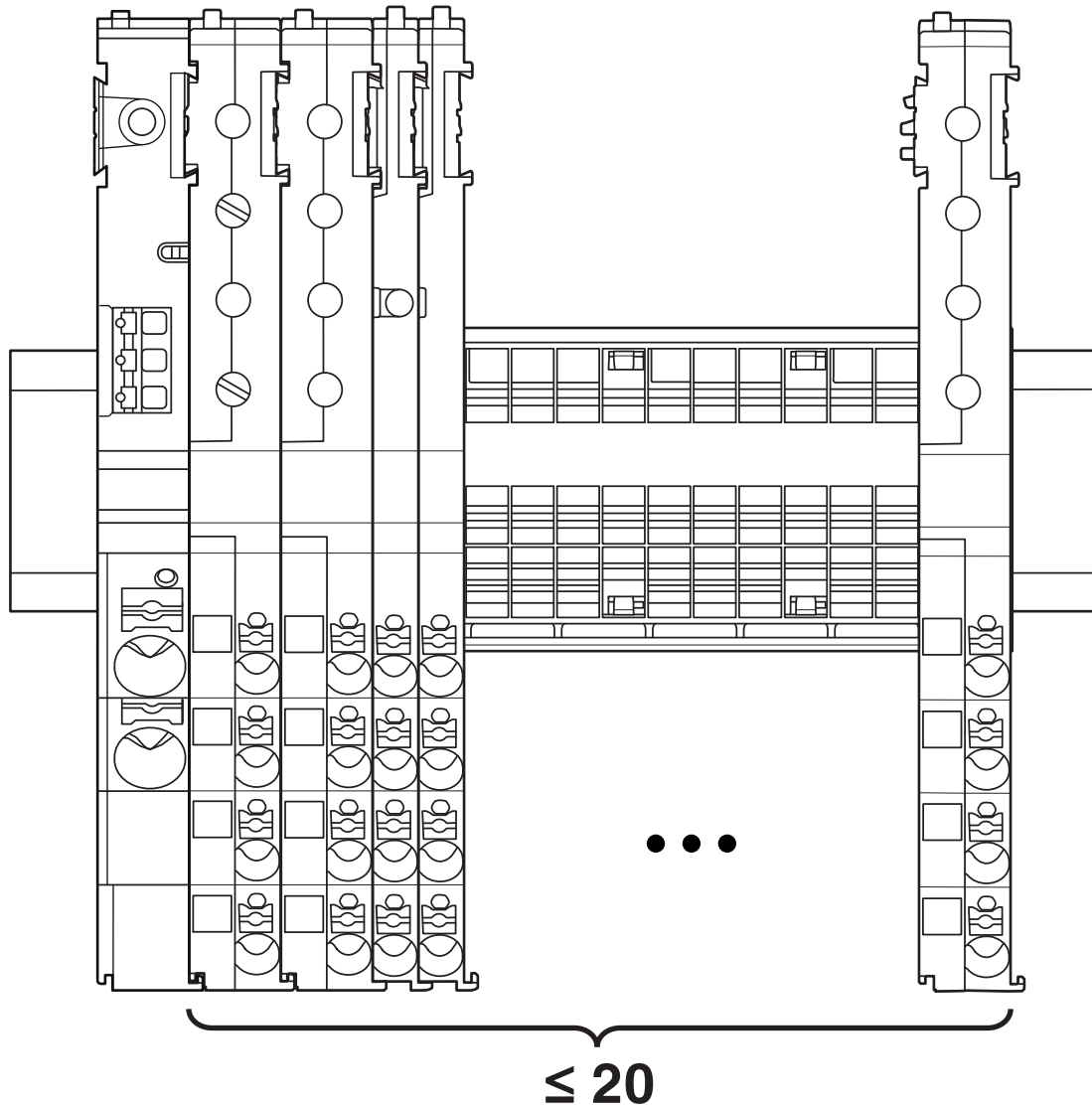


Power module - CAPAROC PM S-R

1115661

<https://www.phoenixcontact.com/us/products/1115661>

Schematic diagram



When using the power module with status output and reset input (CAPAROC PM S-R), max. 20 circuit breaker modules can be set. Any number of extra potential distribution modules can be added.

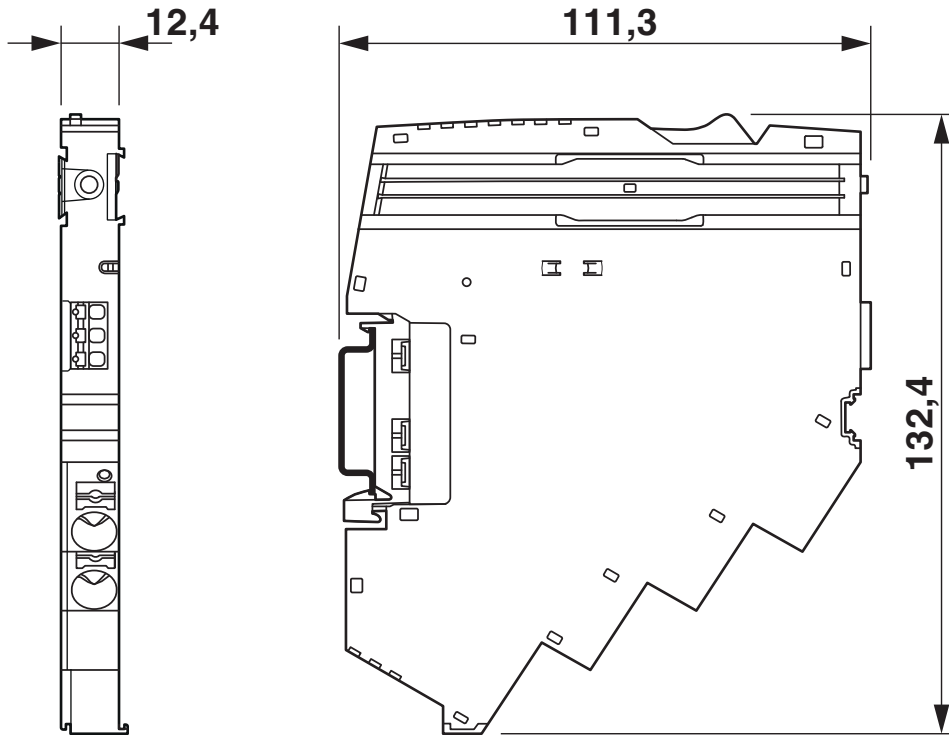
Power module - CAPAROC PM S-R



1115661

<https://www.phoenixcontact.com/us/products/1115661>

Dimensional drawing



Power module - CAPAROC PM S-R



1115661

<https://www.phoenixcontact.com/us/products/1115661>

Approvals



UL Listed

Approval ID: FILE E 123528



cUL Listed

Approval ID: FILE E 123528

cULus Listed

Power module - CAPAROC PM S-R



1115661

<https://www.phoenixcontact.com/us/products/1115661>

Classifications

ECLASS

ECLASS-9.0	27141116
ECLASS-10.0.1	27140401
ECLASS-11.0	27140401

ETIM

ETIM 8.0	EC003538
----------	----------

UNSPSC

UNSPSC 21.0	39121400
-------------	----------

Power module - CAPAROC PM S-R



1115661

<https://www.phoenixcontact.com/us/products/1115661>

Environmental Product Compliance

REACH SVHC

Lead 7439-92-1

Power module - CAPAROC PM S-R



1115661

<https://www.phoenixcontact.com/us/products/1115661>

Mandatory Accessories

Busbar

Busbar - CAPAROC CR 20 - 1110989

<https://www.phoenixcontact.com/us/products/1110989>

Busbar for CAPAROC system with 20 slots. For installation on a DIN rail.



Busbar

Busbar - CAPAROC CR 8 - 1115672

<https://www.phoenixcontact.com/us/products/1115672>

Busbar for the CAPAROC system with 8 slots. For installation on a DIN rail.



Accessories

Power module - CAPAROC PM S-R



1115661

<https://www.phoenixcontact.com/us/products/1115661>

Electronic circuit breaker

Electronic circuit breaker - CAPAROC E1 12-24DC/1-4A - 1115415

<https://www.phoenixcontact.com/us/products/1115415>



1-channel electronic circuit breaker module for protecting 12 and 24 V DC loads against overload and short circuit. Nominal current adjustable from 1 A to 4 A via LED button. For DIN rail installation via the CAPAROC current rails.

Electronic circuit breaker

Electronic circuit breaker - CAPAROC E1 12-24DC/1-10A - 1115649

<https://www.phoenixcontact.com/us/products/1115649>



1-channel electronic circuit breaker module for protecting 12 and 24 V DC loads against overload and short circuit. Nominal current adjustable from 1 A to 10 A via LED button. For DIN rail installation via the CAPAROC current rails.

Power module - CAPAROC PM S-R



1115661

<https://www.phoenixcontact.com/us/products/1115661>

Electronic circuit breaker

Electronic circuit breaker - CAPAROC E1 12-24DC/1A - 1157288

<https://www.phoenixcontact.com/us/products/1157288>



1-channel electronic circuit breaker module for protecting 12 and 24 V DC loads against overload and short circuit. With fixed nominal current. For DIN rail installation via the CAPAROC current rails.

Electronic circuit breaker

Electronic circuit breaker - CAPAROC E1 12-24DC/2A - 1157290

<https://www.phoenixcontact.com/us/products/1157290>



1-channel electronic circuit breaker module for protecting 12 and 24 V DC loads against overload and short circuit. With fixed nominal current. For DIN rail installation via the CAPAROC current rails.

Power module - CAPAROC PM S-R



1115661

<https://www.phoenixcontact.com/us/products/1115661>

Electronic circuit breaker

Electronic circuit breaker - CAPAROC E1 12-24DC/4A - 1157285

<https://www.phoenixcontact.com/us/products/1157285>



1-channel electronic circuit breaker module for protecting 12 and 24 V DC loads against overload and short circuit. With fixed nominal current. For DIN rail installation via the CAPAROC current rails.

Electronic circuit breaker

Electronic circuit breaker - CAPAROC E1 12-24DC/6A - 1157286

<https://www.phoenixcontact.com/us/products/1157286>



1-channel electronic circuit breaker module for protecting 12 and 24 V DC loads against overload and short circuit. With fixed nominal current. For DIN rail installation via the CAPAROC current rails.

Power module - CAPAROC PM S-R



1115661

<https://www.phoenixcontact.com/us/products/1115661>

Electronic circuit breaker

Electronic circuit breaker - CAPAROC E1 12-24DC/8A - 1157279

<https://www.phoenixcontact.com/us/products/1157279>



1-channel electronic circuit breaker module for protecting 12 and 24 V DC loads against overload and short circuit. With fixed nominal current. For DIN rail installation via the CAPAROC current rails.

Electronic circuit breaker

Electronic circuit breaker - CAPAROC E1 12-24DC/10A - 1157284

<https://www.phoenixcontact.com/us/products/1157284>



1-channel electronic circuit breaker module for protecting 12 and 24 V DC loads against overload and short circuit. With fixed nominal current. For DIN rail installation via the CAPAROC current rails.

Power module - CAPAROC PM S-R



1115661

<https://www.phoenixcontact.com/us/products/1115661>

Electronic circuit breaker

Electronic circuit breaker - CAPAROC E2 12-24DC/1-4A - 1115655

<https://www.phoenixcontact.com/us/products/1115655>



2-channel electronic circuit breaker module for protecting 12 and 24 V DC loads against overload and short circuit. Nominal current adjustable from 1 A to 4 A via step switch. For DIN rail installation via the CAPAROC current rails.

Electronic circuit breaker

Electronic circuit breaker - CAPAROC E2 12-24DC/2-10A - 1110984

<https://www.phoenixcontact.com/us/products/1110984>



2-channel electronic circuit breaker module for protecting 12 and 24 V DC loads against overload and short circuit. Nominal current adjustable from 2 A to 10 A via step switch. For DIN rail installation via the CAPAROC current rails.

Power module - CAPAROC PM S-R



1115661

<https://www.phoenixcontact.com/us/products/1115661>

Electronic circuit breaker

Electronic circuit breaker - CAPAROC E4 12-24DC/1-4A - 1115657

<https://www.phoenixcontact.com/us/products/1115657>



Four-channel electronic circuit breaker module for protecting 12 and 24 V DC loads against overload and short circuit. Nominal current adjustable from 1 A to 4 A via LED button. For DIN rail installation via the CAPAROC current rails.

Electronic circuit breaker

Electronic circuit breaker - CAPAROC E4 12-24DC/1-10A - 1115658

<https://www.phoenixcontact.com/us/products/1115658>



Four-channel electronic circuit breaker module for protecting 12 and 24 V DC loads against overload and short circuit. Nominal current adjustable from 1 A to 10 A via LED button. For DIN rail installation via the CAPAROC current rails.

Power module - CAPAROC PM S-R



1115661

<https://www.phoenixcontact.com/us/products/1115661>

Potential distributors

Potential distributors - CAPAROC PD 0V - 1110987

<https://www.phoenixcontact.com/us/products/1110987>



Potential distributor with Push-in connections for directly connecting the 0 V return conductor in the CAPAROC system. For DIN rail installation via the CAPAROC current rails.

Marker for terminal blocks

Marker for terminal blocks - UC-TM 12 - 0819194

<https://www.phoenixcontact.com/us/products/0819194>



Marker for terminal blocks, Sheet, white, unlabeled, can be labeled with: BLUEMARK ID COLOR, BLUEMARK ID, BLUEMARK CLED, PLOTMARK, CMS-P1-PLOTTER, mounting type: snapped, for terminal block width: 12 mm, lettering field size: 11.45 x 10.5 mm, Number of individual labels: 40

Power module - CAPAROC PM S-R



1115661

<https://www.phoenixcontact.com/us/products/1115661>

Marker for terminal blocks

Marker for terminal blocks - UCT-TM 12 - 0829144

<https://www.phoenixcontact.com/us/products/0829144>



Marker for terminal blocks, Sheet, white, unlabeled, can be labeled with: TOPMARK NEO, TOPMARK LASER, BLUEMARK ID COLOR, BLUEMARK ID, BLUEMARK CLED, THERMOMARK PRIME, THERMOMARK CARD 2.0, THERMOMARK CARD, mounting type: snapped, for terminal block width: 12 mm, lettering field size: 10.8 x 9.6 mm, Number of individual labels: 30

Busbar

Busbar - CAPAROC CR EXT20 - 1115674

<https://www.phoenixcontact.com/us/products/1115674>



Extension busbar with 20 slots for the CAPAROC system. For installation on a DIN rail.

Power module - CAPAROC PM S-R

1115661

<https://www.phoenixcontact.com/us/products/1115661>

Busbar

Busbar - CAPAROC CR EXT8 - 1110990

<https://www.phoenixcontact.com/us/products/1110990>



Extension busbar with 8 slots for CAPAROC system. For installation on a DIN rail.

Busbar

Busbar - CAPAROC CR EXT4 - 1110991

<https://www.phoenixcontact.com/us/products/1110991>



Extension busbar with 4 slots for the CAPAROC system. For installation on a DIN rail.

Power module - CAPAROC PM S-R



1115661

<https://www.phoenixcontact.com/us/products/1115661>

Metal part

Metal part - CAPAROC CR CON - 1270955

<https://www.phoenixcontact.com/us/products/1270955>



Metal extension rails from connecting CAPAROC initial busbars.

Phoenix Contact 2022 © - all rights reserved

<https://www.phoenixcontact.com>

Phoenix Contact USA
586 Fulling Mill Road
Middletown, PA 17057, United States
(+717) 944-1300
info@phoenixcon.com

单击下面可查看定价，库存，交付和生命周期等信息

[>>Phoenix Contact\(菲尼克斯\)](#)