

End clamp - E/MK 1 - 1421659

Please be informed that the data shown in this PDF Document is generated from our Online Catalog. Please find the complete data in the user's documentation. Our General Terms of Use for Downloads are valid (<http://download.phoenixcontact.com>)



End clamp width: 6 mm, color: gray

Why buy this product

- Can be screwed onto NS 15 DIN rails
- Large-surface labeling

Key commercial data

Packing unit	1
Minimum order quantity	100
Catalog page	Page 345 (CL2-2011)
GTIN	 4 017918 021573
Custom tariff number	39269097
Country of origin	POLAND

Technical data

General data

Height	18 mm
Length	21.2 mm
Width	6.1 mm
Material	PA
Coating	3.2 mm fixing hole
Color	gray

Classifications

eclass

eCl@ss 4.0	27141199
eCl@ss 4.1	27141199
eCl@ss 5.0	27141145
eCl@ss 5.1	27141145
eCl@ss 6.0	27141137
eCl@ss 7.0	27141137

End clamp - E/MK 1 - 1421659

Classifications

etim

ETIM 2.0	EC000761
ETIM 3.0	EC000761
ETIM 4.0	EC000761

unspsc

UNSPSC 6.01	30212109
UNSPSC 7.0901	39121708
UNSPSC 11	39121708
UNSPSC 12.01	39121708
UNSPSC 13.2	39121708

Accessories

Accessories

Assembly

DIN rail - NS 15 AL PERF 2000MM - 1401763



DIN rail, material: Aluminum, perforated, height 5.5 mm, width 15 mm, length: 2 m

DIN rail - NS 15 UNPERF 2000MM - 1401695



DIN rail, material: Steel, unperforated, height 5.5 mm, width 15 mm, length: 2 m

DIN rail perforated - NS 15 PERF 2000MM - 1401682

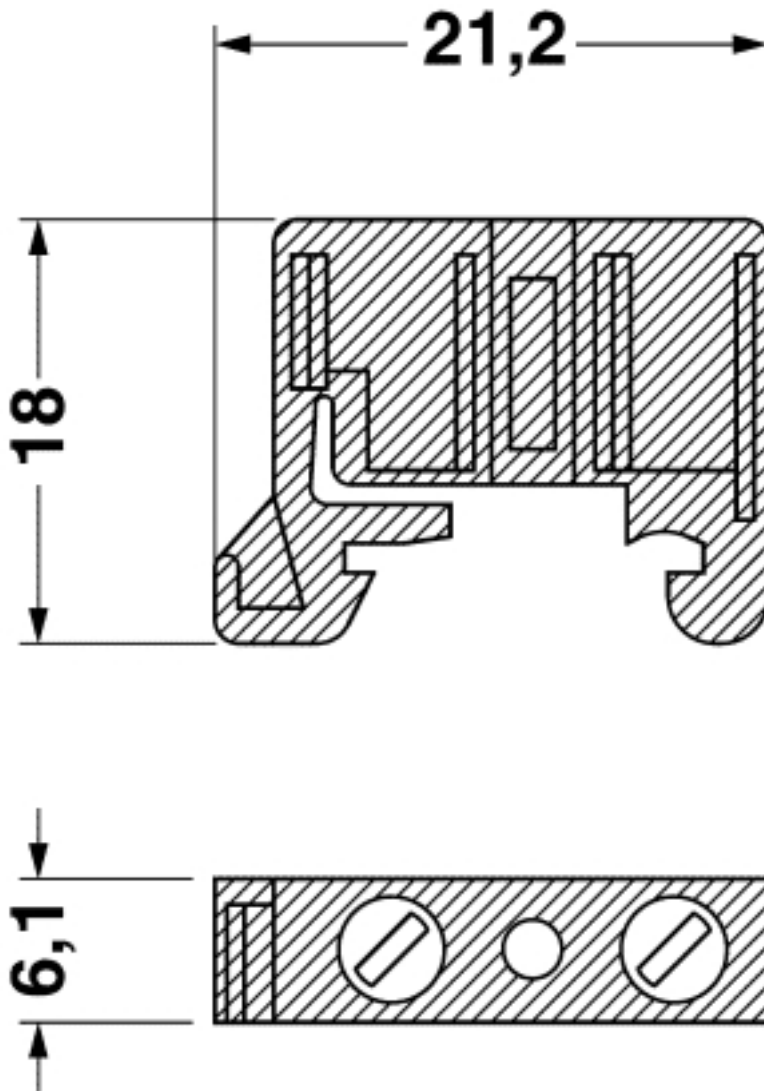


DIN rail, material: steel galvanized and passivated with a thick layer, perforated, height 5.5 mm, width 15 mm, length: 2000 mm

Drawings

End clamp - E/MK 1 - 1421659

Dimensioned drawing



单击下面可查看定价，库存，交付和生命周期等信息

[>>Phoenix Contact\(菲尼克斯\)](#)