

## Cable clamp - WCC 42 - 3240259

Please be informed that the data shown in this PDF Document is generated from our Online Catalog. Please find the complete data in the user's documentation. Our General Terms of Use for Downloads are valid (<http://download.phoenixcontact.com>)



Cable clamp, for DIN rails

### Product Features

- The halogen-free plastic troughs have been designed to be perfectly secure while simultaneously protecting the conductors
- Individual or bundled cables with a diameter of up to 42 mm can be installed safely and easily
- The cable clamps provide strain relief



### Key commercial data

Packing unit	1 1
Minimum order quantity	25 1
Weight per Piece (excluding packing)	84.8 GRM
Custom tariff number	73269098
Country of origin	China

### Technical data

#### General

Material	Steel
----------	-------

### Classifications

#### eCl@ss

eCl@ss 4.0	27141131
eCl@ss 4.1	27141131
eCl@ss 5.0	27141131
eCl@ss 5.1	27141131
eCl@ss 6.0	23140390

# Cable clamp - WCC 42 - 3240259

## Classifications

### eCl@ss

eCl@ss 7.0	23140390
eCl@ss 8.0	23140390

### ETIM

ETIM 2.0	EC000897
ETIM 3.0	EC000897
ETIM 4.0	EC000441
ETIM 5.0	EC000441

### UNSPSC

UNSPSC 6.01	30211811
UNSPSC 7.0901	39121410
UNSPSC 11	39121410
UNSPSC 12.01	39121410
UNSPSC 13.2	39121410

## Accessories

### Accessories

#### Mounting rail

DIN rail - NS 30/15 PERF.2000MM - 3240262

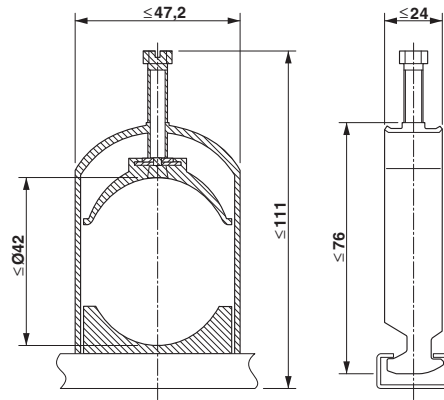


DIN rails, for accommodating cable clamps

## Drawings

## Cable clamp - WCC 42 - 3240259

Dimensioned drawing



---

© Phoenix Contact 2013 - all rights reserved  
<http://www.phoenixcontact.com>

单击下面可查看定价，库存，交付和生命周期等信息

[>>Phoenix Contact \(菲尼克斯\)](#)