

# Type 2 surge protection base element - VAL-MS TE-AR/75X350/3EQ - 2905683

Please be informed that the data shown in this PDF Document is generated from our Online Catalog. Please find the complete data in the user's documentation. Our General Terms of Use for Downloads are valid (<http://phoenixcontact.com/download>)

Assembly with base element for type 2 arresters of the VALVETRAB MS product range, with remote indication contact and field wire disconnect. Version for 3-mode protection of 2-wire signals.



## Product Features

- Versions with and without floating remote indication contact
- 3-Mode equalizer protection
- Field wire disconnect



## Key Commercial Data

Packing unit	1 pc
Country of origin	Germany

## Technical data

### Note

Trade restriction	The products are offered exclusively for export outside the EU and the European Economic Area.
-------------------	--

## Classifications

### eCl@ss

eCl@ss 5.1	27130801
eCl@ss 6.0	27130802
eCl@ss 8.0	27130802
eCl@ss 9.0	27130802

### ETIM

ETIM 4.0	EC002497
----------	----------

## Type 2 surge protection base element - VAL-MS TE-AR/75X350/3EQ - 2905683

### Classifications

#### ETIM

ETIM 5.0	EC000381
----------	----------

### Accessories

#### Accessories

#### Bridge

Plug-in bridge - FBS 2-18 - 2801068



Plug-in bridge for cross-connections in the VAL-MS BE-AR terminal center, 2-pos., color: Red

Wiring bridge - MPB 18/1-57 - 2809238



Wiring bridge for modules with connecting pitch 17.5 mm, 1-phase, 57-pos.

Wiring bridge - MPB 18/1- 2 - 2809209



Wiring bridge for modules with connecting pitch 17.5 mm, 1-phase, 2-pos.

Wiring bridge - MPB 18/1-12 - 2748593



Wiring bridge for modules with connecting pitch 17.5 mm, 1-phase, 12-pos.

## Type 2 surge protection base element - VAL-MS TE-AR/75X350/3EQ - 2905683

### Accessories

Plug-in bridge - FBS 2-18 - 2801068



Plug-in bridge for cross-connections in the VAL-MS BE-AR terminal center, 2-pos., color: Red

---

### Insertion bridge

Insertion bridge - EB 56-18 - 3009299



Insertion bridge, Pitch: 18 mm, Number of positions: 56, Color: gray

---

### Screwdriver tools

Screwdriver - SZS 0,8X4,0 VDE - 1212508



Screwdriver, slot-headed, VDE insulated, size: 0.8 x 4.0 x 100 mm, 2-component grip, with non-slip grip

---

Screwdriver - SZS 0,4X2,5 VDE - 1205037



Screwdriver, slot-headed, VDE insulated, size: 0.4 x 2.5 x 80 mm, 2-component grip, with non-slip grip

---

### Spare parts

# Type 2 surge protection base element - VAL-MS TE-AR/75X350/3EQ - 2905683

## Accessories

Type 2 surge protection plug - VAL-MS 75 VF ST - 2805318



Surge protection plug type 2 with series connection consisting of varistor and gas-filled spark gap for VAL-MS base element, thermal monitoring, visual fault warning.

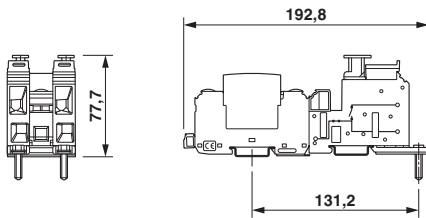
Type 2 surge protection plug - VAL-MS 350 VF ST - 2856595



surge protection connector type 2 with series connection consisting of varistor and gas-filled spark gap for VAL-MS base element, thermal monitoring, visual fault warning. Design: 350 V AC

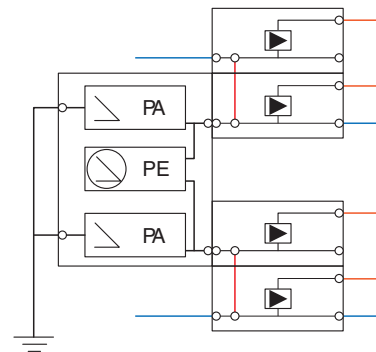
## Drawings

Dimensional drawing



FM version shown

Circuit diagram



单击下面可查看定价，库存，交付和生命周期等信息

[>>Phoenix Contact \(菲尼克斯\)](#)