

## Device coupler - FB-DIAG/FF/LI - 2316284

Please be informed that the data shown in this PDF Document is generated from our Online Catalog. Please find the complete data in the user's documentation. Our General Terms of Use for Downloads are valid (<http://phoenixcontact.com/download>)



Field diagnostics module, legacy installation, includes pluggable side connector



### Key commercial data

Packing unit	1 pc
Weight per Piece (excluding packing)	100.0 GRM
Custom tariff number	85389091
Country of origin	United States

### Technical data

#### Note

Utilization restriction	EMC: class A product, see manufacturer's declaration in the download area
-------------------------	---

#### Dimensions

Width	17.7 mm
Height	93.9 mm
Depth	70.4 mm

#### Ambient conditions

Ambient temperature (operation)	-40 °C ... 85 °C
Ambient temperature (storage/transport)	-40 °C ... 85 °C
Degree of protection	IP20

#### General

Standards/regulations	IEC 60529, IEC 61158-2
Mounting position	Any orientation on DIN rail, NS 35, in acc. with EN 60715

# Device coupler - FB-DIAG/FF/LI - 2316284

## Technical data

### General

Net weight	66 g
Color	green
Conformance	IEC 61158-2
Fieldbus Foundation	FF-830

### Power supply

Supply voltage range	9 V DC ... 32 V DC
Max. current consumption	29 mA
Typical current consumption	27 mA

### Serial interface

Interface 1	Foundation Fieldbus
Connection method	Pluggable screw connection with test points
Conductor cross section solid min.	0.2 mm <sup>2</sup>
Conductor cross section solid max.	2.5 mm <sup>2</sup>
Conductor cross section stranded min.	0.2 mm <sup>2</sup>
Conductor cross section stranded max.	2.5 mm <sup>2</sup>
Conductor cross section AWG/kcmil min.	24
Conductor cross section AWG/kcmil max	12
Output nominal voltage	≤ 32 V
Output current	29 mA
Maximum output current	29 mA

### Safety data

Input voltage U <sub>i</sub>	32 V DC
Input current I <sub>i</sub>	274 mA (IIC)
ATEX	Sira 13ATEX4149X; # II 3G Ex nA [ic] IIC T4 Gc
IECEX	IECEX SIR 13.0060X; Ex nA [ic] IIC T4 Gc
CSA, USA/Canada	Class I, Div. 2, Groups A,B,C,D; Ex nA nL IIC T4 Gc Class I, Zone 2, AEx nA nC IIC T4 Gc

## Classifications

### eCl@ss

eCl@ss 4.0	27250203
eCl@ss 4.1	27250203
eCl@ss 5.0	27250203
eCl@ss 5.1	27259205
eCl@ss 6.0	27242610

# Device coupler - FB-DIAG/FF/LI - 2316284

## Classifications

eCl@ss

eCl@ss 7.0	27242610
eCl@ss 8.0	27242610

ETIM

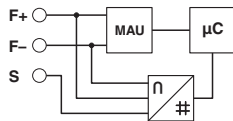
ETIM 3.0	EC001600
ETIM 4.0	EC000261
ETIM 5.0	EC000261

UNSPSC

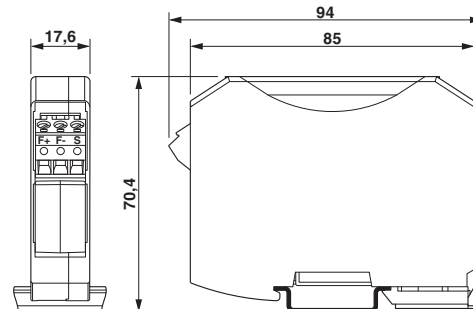
UNSPSC 6.01	30211506
UNSPSC 7.0901	39121008
UNSPSC 11	39121008
UNSPSC 12.01	39121008
UNSPSC 13.2	43201553

## Drawings

Block diagram



Dimensioned drawing



单击下面可查看定价，库存，交付和生命周期等信息

[>>Phoenix Contact \(菲尼克斯\)](#)