

# Connector - SACC-M12MS-4CON-PG 9-SH



1501540

<https://www.phoenixcontact.com/us/products/1501540>

Please be informed that the data shown in this PDF document is generated from our Online Catalog. Please find the complete data in the user documentation. Our General Terms of Use for Downloads are valid.



## Your advantages

- Safe use in the field, thanks to a high degree of protection
- Screw connection: proven connection technology for a large selection of different conductors
- Reliable signal transmission - 360° shielding in environments with electromagnetic interference

## Commercial Data

Item number	1501540
Packing unit	1 pc
Minimum order quantity	1 pc
Sales Key	B07
Product Key	BF2CBA
Catalog Page	Page 24 (C-2-2019)
GTIN	4017918614393
Weight per Piece (including packing)	45.36 g
Weight per Piece (excluding packing)	44.13 g
Customs tariff number	85366990
Country of origin	DE

# Connector - SACC-M12MS-4CON-PG 9-SH



1501540

<https://www.phoenixcontact.com/us/products/1501540>

## Technical Data

### Notes

Assembly instruction:

**NOTE:** Observe the permissible bending radii when laying conductors, since the degree of protection may be put in jeopardy if the bending forces are too high. Alleviate mechanical loads upstream of the connector, e.g. by using cable ties.

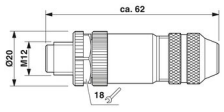
### Product properties

Product type	Circular connector (cable-side)
Number of positions	4
No. of cable outlets	1
Shielded	yes
Coding	A - standard
Pg screw connection	Pg9

### Insulation characteristics

Overvoltage category	II
Degree of pollution	3

### Dimensions

Dimensional drawing	
Length	62 mm

### External dimensions

Outside diameter	6 mm ... 8 mm
------------------	---------------

### Housing

Diameter housing	20 mm
------------------	-------

### Material specifications

Flammability rating according to UL 94	HB
Sealing material	NBR
Material of grip body	Zinc die-cast, nickel-plated
Contact material	CuZn
Contact surface material	Au
Contact carrier material	PA
Cable gland material	Zinc die-cast, nickel-plated

### Connection data

#### Conductor connection

# Connector - SACC-M12MS-4CON-PG 9-SH



1501540

<https://www.phoenixcontact.com/us/products/1501540>

Connection method	Screw connection
Connection cross section	0.25 mm <sup>2</sup> ... 0.75 mm <sup>2</sup> (without ferrule)
	0.14 mm <sup>2</sup> ... 0.75 mm <sup>2</sup> (with ferrule)
	0.25 mm <sup>2</sup> ... 0.75 mm <sup>2</sup> (solid)
Connection cross section AWG	24 ... 18 (without ferrule)
	26 ... 20 (with ferrule)
Stripping length of the individual wire	5 mm
Tightening torque	0.4 Nm (M12 knurl)
	0.2 Nm (Screw terminal blocks)
	0.8 Nm ... 1 Nm (Pressure nut with coupling sleeve)

## Electrical properties

Rated surge voltage	2.5 kV
Contact resistance	≤ 3 mΩ
Insulation resistance	≥ 100 MΩ
Nominal voltage U <sub>N</sub>	48 V AC
	60 V DC
Nominal current I <sub>N</sub>	4 A

## Connector

Insertion/withdrawal cycles	≥ 100
Connection 1	
Head design	Plug
Head cable outlet	straight
Head thread type	M12
Coding	A-coded

## Cable / line

Signal type/category	Universal
Stripping length of the individual wire	5 mm

## Ambient conditions

Degree of protection	IP67
Ambient temperature (operation)	-40 °C ... 85 °C (Plug / socket)

## Standards and regulations

Standards/specifications	IEC 61076-2-101
--------------------------	-----------------

# Connector - SACC-M12MS-4CON-PG 9-SH

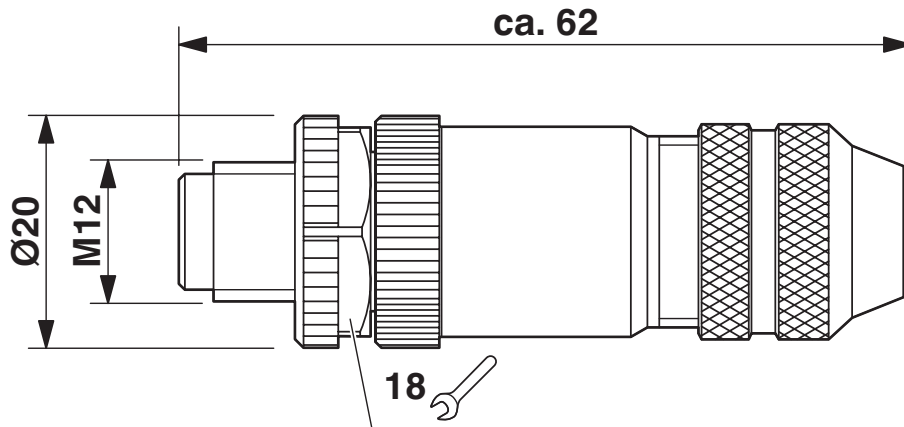


1501540

<https://www.phoenixcontact.com/us/products/1501540>

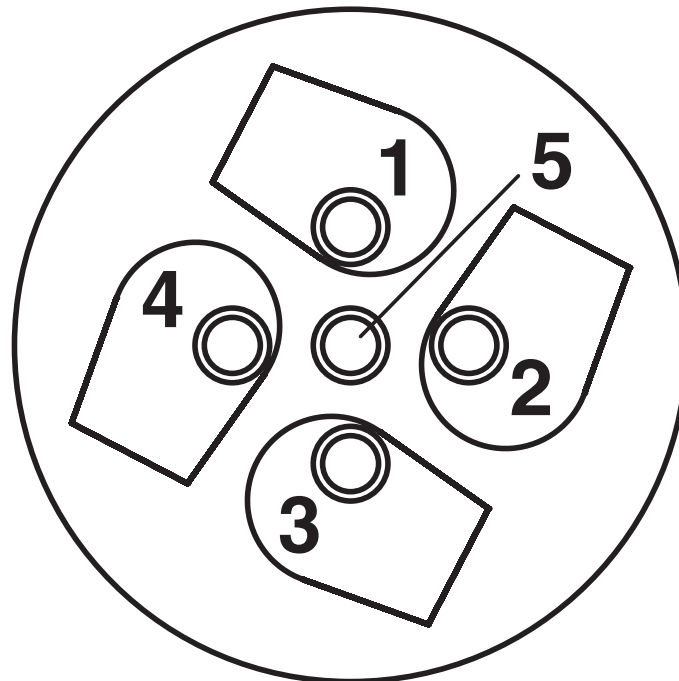
## Drawings

Dimensional drawing



Plug, M12 x 1, straight, shielded

Schematic diagram



Cable connection side M12 (screw connection)

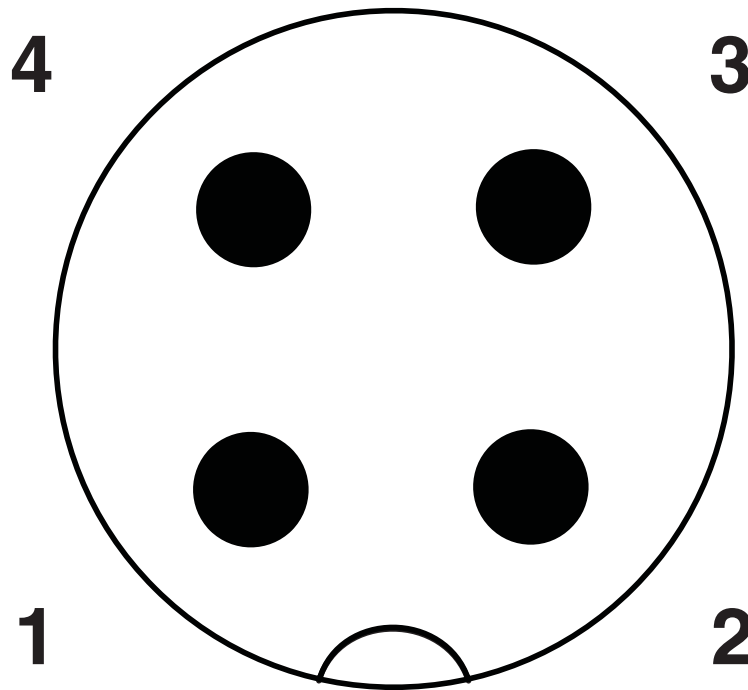
# Connector - SACC-M12MS-4CON-PG 9-SH

1501540

<https://www.phoenixcontact.com/us/products/1501540>



Schematic diagram



Pin assignment M12 plug, 4-pos., A-coded, view plug side

# Connector - SACC-M12MS-4CON-PG 9-SH




1501540

<https://www.phoenixcontact.com/us/products/1501540>

## Approvals

 <b>cUL Recognized</b> Approval ID: FILE E 221474				
	Nominal Voltage $U_N$	Nominal Current $I_N$	Cross Section AWG	Cross Section $mm^2$
	250 V	4 A	-	-

 <b>UL Recognized</b> Approval ID: FILE E 221474				
	Nominal Voltage $U_N$	Nominal Current $I_N$	Cross Section AWG	Cross Section $mm^2$
	250 V	4 A	-	-

**cULus Recognized**

# Connector - SACC-M12MS-4CON-PG 9-SH



1501540

<https://www.phoenixcontact.com/us/products/1501540>

## Classifications

### ECLASS

ECLASS-10.0.1	27440102
ECLASS-9.0	27440102
ECLASS-11.0	27440102

### ETIM

ETIM 8.0	EC002635
----------	----------

### UNSPSC

UNSPSC 21.0	39121400
-------------	----------

# Connector - SACC-M12MS-4CON-PG 9-SH



1501540

<https://www.phoenixcontact.com/us/products/1501540>

## Environmental Product Compliance

REACH SVHC	Lead 7439-92-1
China RoHS	Environmentally Friendly Use Period = 50 years
	For information on hazardous substances, refer to the manufacturer's declaration available under "Downloads"



# Connector - SACC-M12MS-4CON-PG 9-SH



1501540

<https://www.phoenixcontact.com/us/products/1501540>

## Accessories

### Torque screwdriver

Torque screwdriver - TSD 04 SAC - 1208429

<https://www.phoenixcontact.com/us/products/1208429>



Torque screwdriver, with preset torque of 0.4 Nm and 4 mm hexagonal drive for M12 connectors

---

### Tool

Tool - SACC BIT M12-D20 - 1208445

<https://www.phoenixcontact.com/us/products/1208445>



Nut for assembling M12 connectors for assembly with a knurl diameter of 20 mm, for 4 mm hexagonal drive

# Connector - SACC-M12MS-4CON-PG 9-SH



1501540

<https://www.phoenixcontact.com/us/products/1501540>

## Torque screwdriver

Torque screwdriver - TSD-M 1,2NM - 1212224

<https://www.phoenixcontact.com/us/products/1212224>



Torque screw driver, accuracy as per EN ISO 6789 standard, adjustable from 0.3 - 1.2 Nm

---

## Adapter insert

Adapter insert - TSD-M SAC-BIT ADAPTER - 1212600

<https://www.phoenixcontact.com/us/products/1212600>



Adapter bit for TSD-M...torque tools, E6.3-1/4" drive with 4 mm hexagon to accommodate SAC bits

# Connector - SACC-M12MS-4CON-PG 9-SH



1501540

<https://www.phoenixcontact.com/us/products/1501540>

## Sealing cap

Sealing cap - PROT-M12 FS-PA-CHAIN - 1430873

<https://www.phoenixcontact.com/us/products/1430873>

M12 sealing cap made of plastic with fixing band, for sensor cables, for free M12 plugs



---

## Ferrule

Ferrule - A 0,25- 5 - 3202465

<https://www.phoenixcontact.com/us/products/3202465>

Ferrule, length: 5 mm, color: silver



# Connector - SACC-M12MS-4CON-PG 9-SH



1501540

<https://www.phoenixcontact.com/us/products/1501540>

## Crimping pliers

Crimping pliers - CRIMPFOX 6H - 1212046

<https://www.phoenixcontact.com/us/products/1212046>



Crimping pliers, for ferrules without insulating collar according to DIN 46228 Part 1 and ferrules with insulating collar according to DIN 46228 Part 4, 0.14 mm<sup>2</sup> ... 6 mm<sup>2</sup>, unlockable pressure lock, lateral entry

---

## Screwdriver

Screwdriver - SZF 1-0,6X3,5 - 1204517

<https://www.phoenixcontact.com/us/products/1204517>



Actuation tool, for ST terminal blocks, also suitable for use as a bladed screwdriver, size: 0.6 x 3.5 x 100 mm, 2-component grip, with non-slip grip

---

Phoenix Contact 2022 © - all rights reserved  
<https://www.phoenixcontact.com>

Phoenix Contact USA  
586 Fulling Mill Road  
Middletown, PA 17057, United States  
(+717) 944-1300  
[info@phoenixcon.com](mailto:info@phoenixcon.com)

单击下面可查看定价，库存，交付和生命周期等信息

[>>Phoenix Contact\(菲尼克斯\)](#)