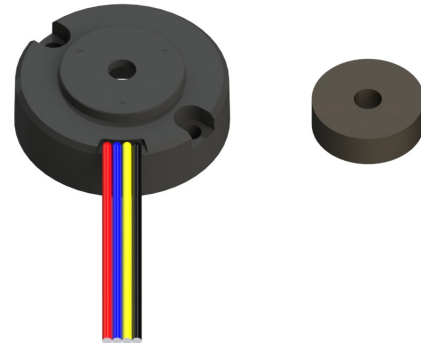


Features and Benefits

- Magnetic technology offers robust performance.
- 100% Non-contacting design (no bearings or bushings) provides an extremely long life and is tolerant to harsh environments.
- Simple two piece design (magnet rotor + encoder) for easy alignment and installation.
- Bi-directional two channel incremental quadrature output.
- Mounting holes for a 2-bolt pattern 1.00" BHC x 0.120" O.D.
- Target magnet for standard shaft sizes from 2 mm to 3/8". Custom bore sizes available.
- Options for 32 - 2500 pulse per channel per revolution.
- Customizable lead wires, cables, and or connectors.



Kit - Encoder with Target Magnet

*Shown with shaft pass through hole and single ended wiring
Wire color order varies with part configuration*

Application Example

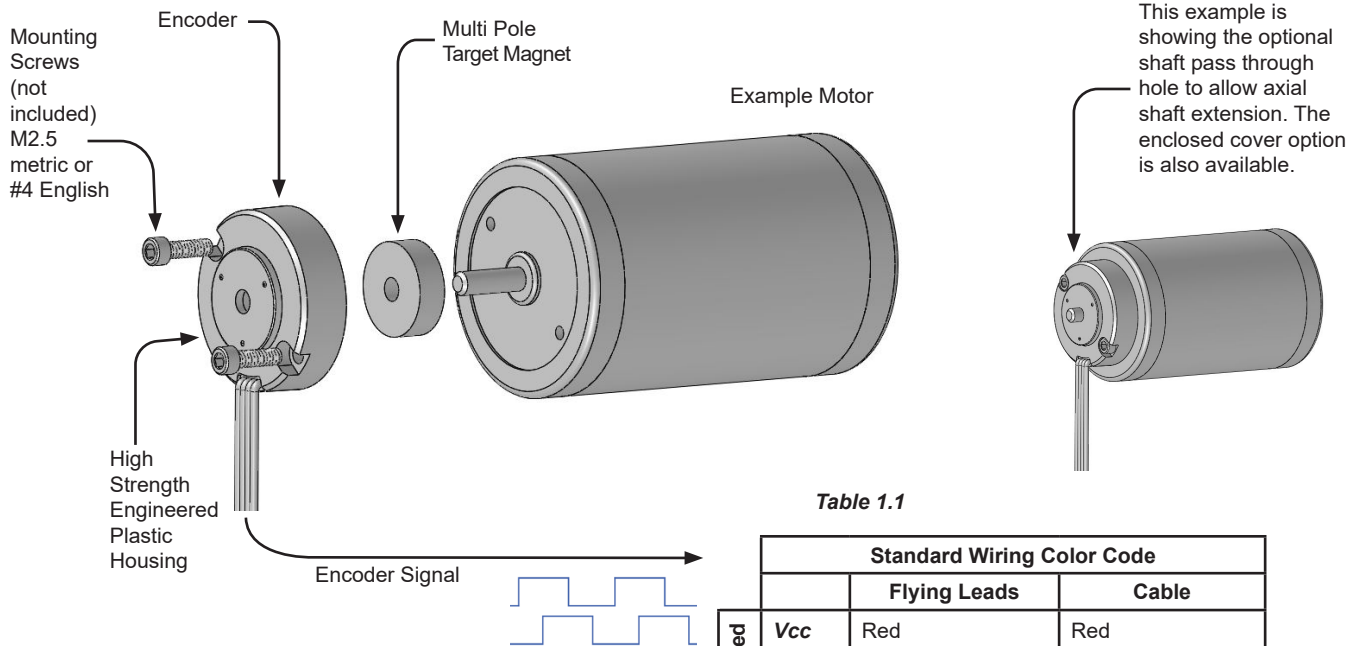
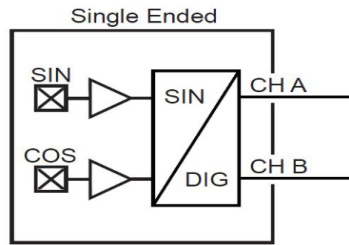


Table 1.1

Standard Wiring Color Code			
		Flying Leads	Cable
Single Ended	Vcc	Red	Red
	Gnd	Black	Black
	Ch A	Yellow	Brown
	Ch B	Blue	Orange

*Other colors available upon request.
Contact sales@phoenixamerica.com.*

Electrical Circuit



Absolute Maximum Ratings

Table 2.1

Characteristic	Symbol	Rating	Units
Forward Supply Voltage	V_{CC}	12	V
Reverse Supply Voltage	V_{RCC}	-0.3	V
Storage Temperature	T_s	150	°C
ESD (HMB, 100pF/1.5Kohm)		2	kV
Operating Temperature		-40 to 125	°C

Electrical Specifications - ($V_{CC} = 5V$, Ambient Temperature = 23 °C)

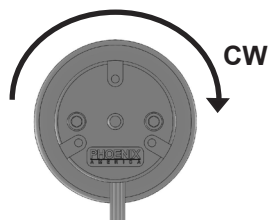
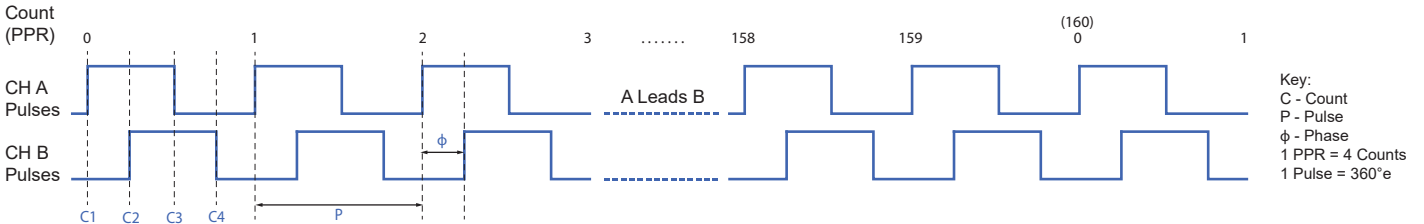
Table 2.2

Characteristic	Symbol	Min.	Typ.	Max.	Unit
Supply Voltage	V_{CC}	3.3	5	6	V
Supply Current	I_{CC}	-	14	20	mA
Duty Cycle	-	40	50	60	%
Phase	-	70	90	110	°e
Output Frequency	f_{out}	-	-	42	kHz

Output Waveforms

Single Ended

Clockwise Rotation



Channel A leads to Channel B for clockwise shaft rotation (shaft rotation is defined when looking at the branded face of the encoder).

Encoder Physical Outline

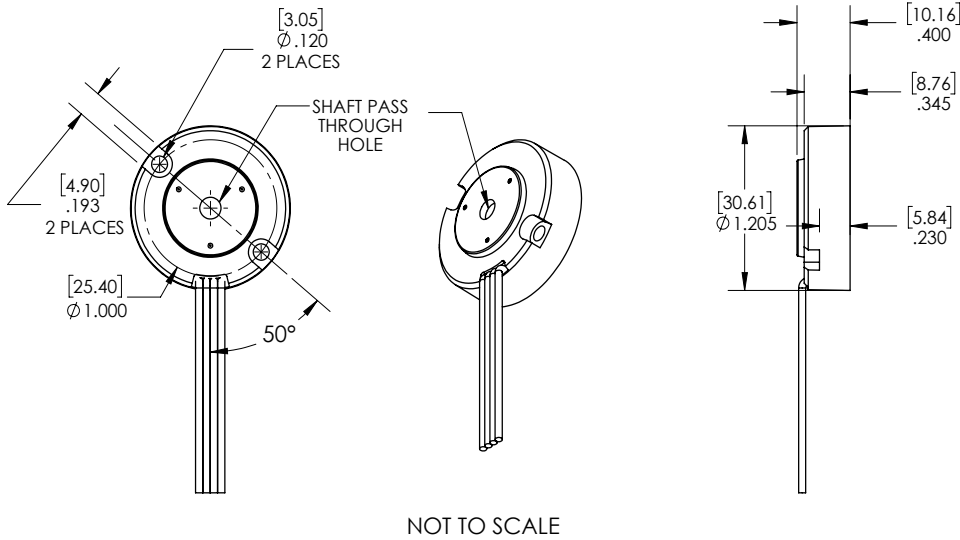


Table 3.1

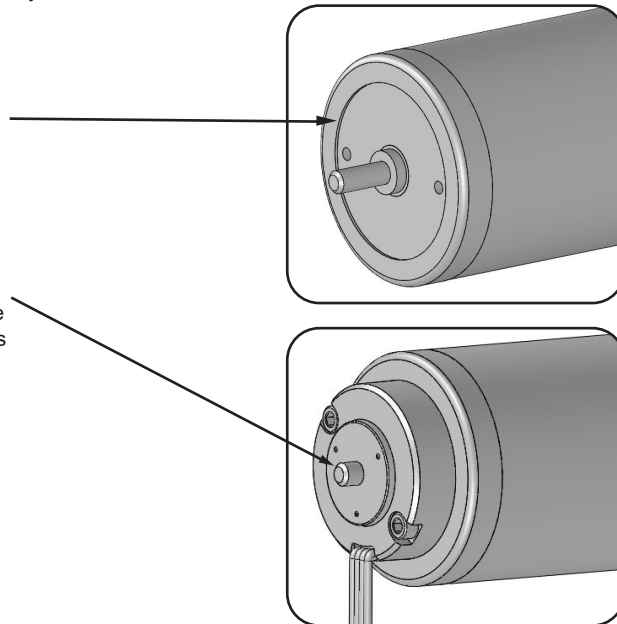
Motor Shaft Diameter	Shaft Pass Through Hole Size (options/recommendation)	
-	No Hole	
2 mm	2.06 mm	0.081 in
3 mm	3.06 mm	0.120 in
1/8 in	3.26 mm	0.127 in
5/32 in	4.06 mm	0.160 in
4 mm	4.06 mm	0.160 in
3/16 in	4.83 mm	0.190 in
5 mm	5.06 mm	0.199 in
6 mm	6.06 mm	0.239 in
1/4 in	6.40 mm	0.252 in
7 mm	7.06 mm	0.278 in
5/16 in	8.05 mm	0.317 in
8 mm	8.05 mm	0.317 in
3/8 in	9.59 mm	0.378 in

Other shaft pass through hole sizes available upon request. Contact sales@phoenixamerica.com.

Encoder Mounting Guidelines

Concentricity of the encoder housing to the target magnet is critical for optimal encoder performance. Considering the following during the design phase will ensure concentricity and ease of assembly.

- Tight molding tolerances allow for the outside diameter of the encoder to be used to locate the encoder housing concentric to the motor shaft and target magnet. A machined pocket on the motor endbell works well for alignment. Recommended pocket is 0.015" to 0.020" deep and 1.215" in diameter.
- Extending the shaft through the optional shaft pass through hole is an easy way to align the encoder housing to the motor shaft and target magnet. Simply position the encoder so that the shaft is centered concentrically in the shaft pass through hole.
- If previous two methods of alignment are not used it is recommended that the encoder be fastened to the motor using #5-40 or M3 mounting screws. The slightly larger diameter of the #5-40 and M3 screws will compensate for some of the tolerance allowed when using the standard recommended #4-40 or M2.5 mounting screws.



Target Magnet Physical Outline - Molded (Mounting Style A)

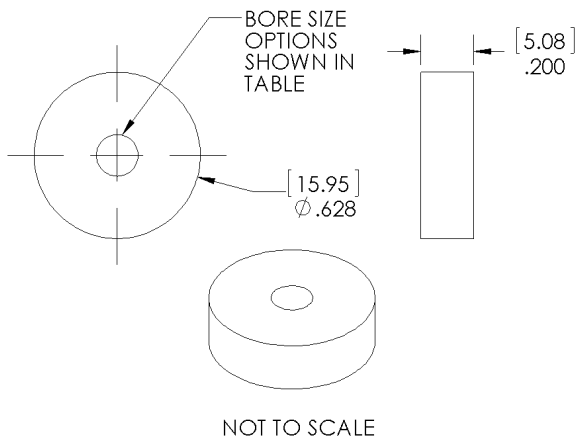


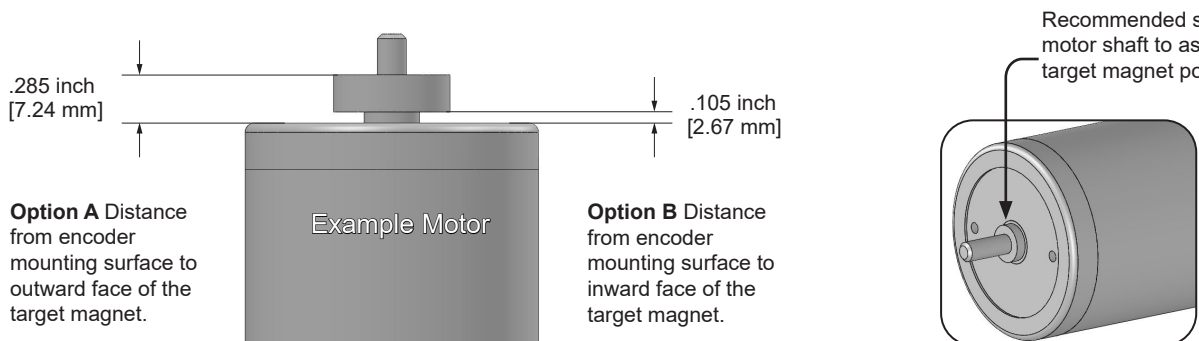
Table 4.1

Bore Size (.inch)	Motor Shaft OD Size (nominal)	NEMA Guide Shaft Tolerance	Magnet Bore MIN. (inch)	Magnet Bore MAX. (inch)
079	2 mm (.0787")	+0.0000"/-0.0005"	.0777	.0807
118	3 mm (.1181")		.1171	.1201
125	1/8 in (.1250")		.1240	.1270
156	5/32 in (.1563")		.1553	.1583
157	4 mm (.1575")		.1565	.1595
188	3/16 in (.1875")		.1865	.1895
197	5 mm (.1969")		.1959	.1989
236	6 mm (.2364")		.2354	.2384
250	1/4 in (.2500")		.2490	.2520
276	7 mm (.2758")		.2747	.2777
313	5/16 in (.3125")		.3115	.3145
315	8 mm (.3150")		.3140	.3170
375	3/8 in (.3750")		.3740	.3770

Other bore sizes available upon request.
Contact sales@phoenixamerica.com.

Target Magnet Mounting Guidelines - Molded (Mounting Style A) For Slip Fit Application

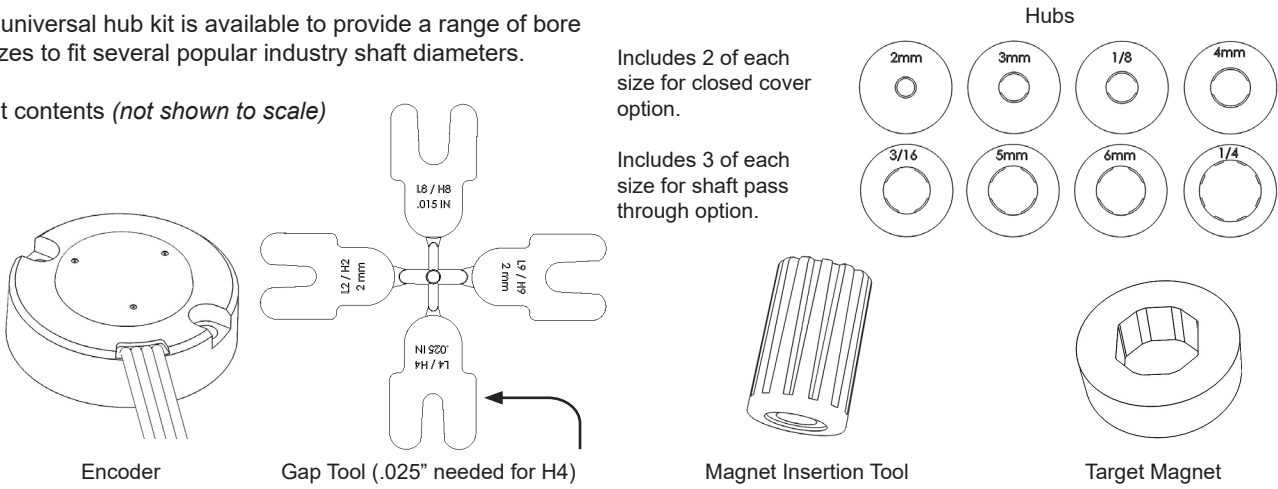
- Proper alignment of the target magnet to the encoder sensing element is critical for optimal encoder performance. Insure that the target magnet is mounted to the specified height shown in the diagram below.
- A machined step on the motor shaft provides a quick and repeatable method for positioning the target magnet. Spacers or other fixturing should be used to properly position the target magnet if no mechanical locating features are on the shaft.
- Various adhesives can be used to bond the target magnet to the motor shaft. Shaft alloys, operating environment, and shaft speed and acceleration should be taken into consideration when selecting an appropriate bonding agent. Loctite threadlockers and retaining compounds have proved effective in bonding the target magnet to the motor shaft. Loctite 263 and 2760 threadlockers and Loctite 638 and 680 retaining compounds are good candidates. These materials have been effective in past experience; testing under actual operating conditions should be used to qualify any bonding material.
- For best results, the motor shaft should be clean and free of any oils, lubricants, or solvents.
- Apply adhesive around the leading edge of the shaft and inside the hole in the rotor. Use a rotating motion when assembling the target magnet to the shaft to insure good adhesive coverage.
- The use of primers and activators can be used to improve bond strength and cure rate.
- For non-critical applications or for fast bonding for evaluation, a cyanoacrylate adhesive (super glue) can be used. Loctite 401 and 410 have proven effective for quick bonding applications.



Target Magnet Physical Outline - Universal Hub (Mounting Style U)

A universal hub kit is available to provide a range of bore sizes to fit several popular industry shaft diameters.

Kit contents (*not shown to scale*)



Includes 2 of each size for closed cover option.

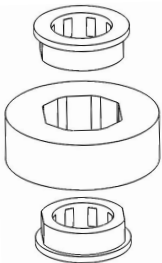
Includes 3 of each size for shaft pass through option.

Assembly Guidelines

Without shaft pass-through option

Step 1

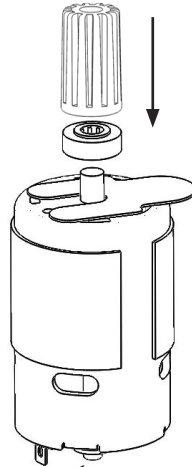
Attach two of the desired hub size on each side of the magnet. Make sure the flats are in-line with each other.



Step 2

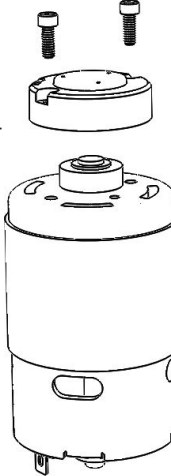
Use the insertion tool to push the target magnet assembly **straight** onto the shaft until the bottom face of the hub is resting on the 2 mm gap tool.

tip - Support the bottom of the motor with a fixture or holding clamp.



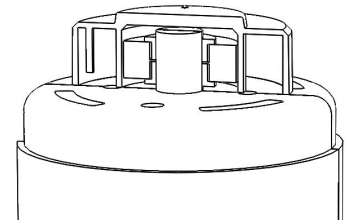
Step 3

Place the encoder onto the motor and secure with #4 or M3 screws.



Step 4

Manually spin the shaft to verify that the shaft/magnet is not interfering with the encoder.

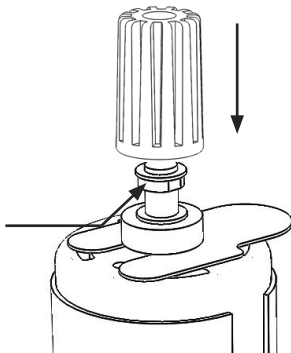


Encoder Cross Section - note the magnet assembly and shaft are not in contact with the encoder housing or the motor housing.

With shaft pass-through option

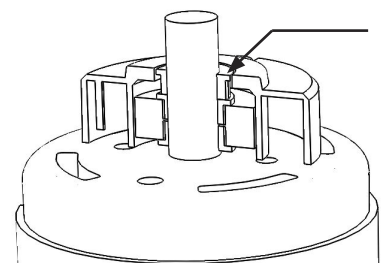
Step 2a

Insert an additional hub piece as shown. This is used as a space filler to match the opening in the encoder housing.



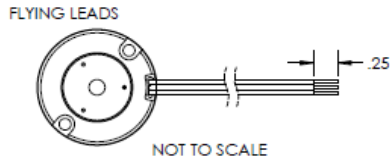
Step 3a

Place the encoder onto the motor and secure with #4 or M3 screws.

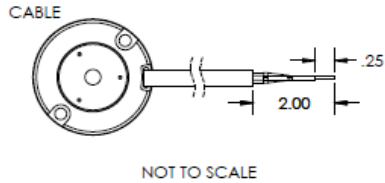


Encoder Cross Section - note the top face of the filler hub should be flush with the top face of the encoder housing as shown by the arrow pointer.

Wiring (Single ended option depicted)



- 24 AWG
- 7x32 Strands, Tinned Copper
- PVC Insulation
- MIL M16878/1
- Temperature Rating: 105°C



- 24 (or 26) AWG
- 4 (or 6) Conductor with Foil Shield and Drain
- Stranded Tinned Copper
- PVC Insulation
- Grey PVC Jacket
- UL Style 2464, CSA
- Temperature Rating: 105°C

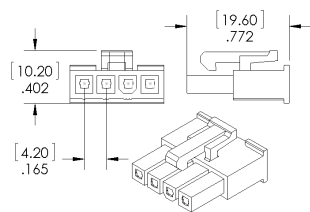
Table 6.1

Single Ended Wiring			
	Leads	Cable	Connector Pin-Out
Ch A	Yellow	Brown	1
Ch B	Blue	Orange	2
Gnd	Black	Black	3
Vcc	Red	Red	4

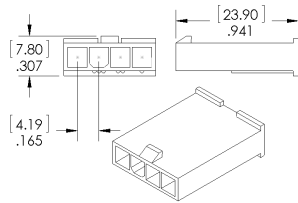
Custom lengths and insulation materials available. Contact sales@phoenixamerica.com.

Connector Options (Single ended option depicted)

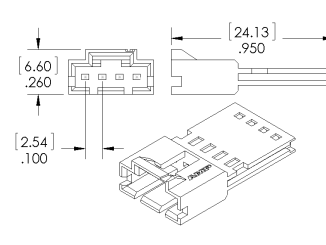
Molex Mini-Fit Jr. (Male)



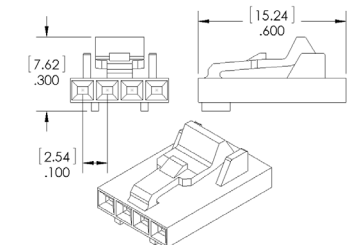
Molex Mini-Fit Jr. (Female)



TE AmpModu MTE (Male)



TE AmpModu MTE (Female)



Need a different connector? Contact sales@phoenixamerica.com.

Part Number Description

H4 - 0480 - 0188 - 05 - A - N - A - F - B - XX

Series	PPR	Bore Size	Supply Voltage	Output Type/Voltage	Shaft Pass Through Hole	Target Magnet Mounting	Wiring	Length (Meters)	Connector
H4	0032	0160	0640	1800	05 5 V (default)	A AB - 5V	N No (default)	A .5 (19.685")	XX None (default)
	0036	0180	0680	2000					
	0040	0192	0720	2100					
	0045	0200	0768	2400					
	0050	0240	0785	2500					
	0056	0250	0800						
	0060	0256	0900						
	0064	0300	1000						
	0075	0360	1024						
	0080	0384	1200						
	0096	0400	1250						
	0100	0480	1280						
	0120	0500	1440						
	0125	0572	1500						
	0128	0600	1600						
0150	0625	1650							
		0079 2mm			Y Yes (Hole size will match Table 4.1)	A AS Molded	F Flying Leads (default)	B 0.914 (36") (default)	A1 TE AmpModu M E (Male)
		0118 3mm							
		0125 1/8 in							
		0156 5/32 in							
		0157 4mm							
		0188 3/16 in (default)							
		0197 5mm							
		0236 6mm							
		0250 1/4 in							
		0276 7mm							
		0313 5/16 in							
		0315 8mm							
		0375 3/8 in							
		0000 Universal Hub							
								D 2 (78.740")	M2 Molex Mini-Fit Jr. (Female)

Example: H4-0160-0125-05-A-N-A-F-B-XX

单击下面可查看定价，库存，交付和生命周期等信息

[>>Phoenix Contact\(菲尼克斯\)](#)