

Antenna - RAD-ISM-2400-ANT-VAN-3-0-RSMA - 2701358

Please be informed that the data shown in this PDF Document is generated from our Online Catalog. Please find the complete data in the user's documentation. Our General Terms of Use for Downloads are valid (<http://phoenixcontact.com/download>)



Omnidirectional antenna with protection against vandalism, 2.4 GHz, 3 dBi gain, IP55 degree of protection, 1.5 m cable length, RSMA connection (male), h/v 360°/85° apex angle. Appropriate mounting material is available for wall mounting.

Product Features

- Version with higher impact strength that is not immediately recognizable as an antenna
- Omnidirectional antennas to increase gain



Key commercial data

Packing unit	1 pc
Weight per Piece (excluding packing)	180.0 GRM
Custom tariff number	85177011
Country of origin	Poland

Technical data

Dimensions

Width	86 mm
Height	43 mm

Ambient conditions

Degree of protection	IP55
Ambient temperature (operation)	-40 °C ... 80 °C
Ambient temperature (storage/transport)	-40 °C ... 80 °C

General

Frequency range	2.4 GHz
	2.4 GHz
Horizontal beamwidth	360 °
Vertical beamwidth	85 °
Impedance	50 Ω

Antenna - RAD-ISM-2400-ANT-VAN-3-0-RSMA - 2701358

Technical data

General

Gain	3 dBi
Wind velocity	160 km/h (Has a force of 10 N)
Connection method	RSMA (male)
Material	ASA (Antenna housing)

Classifications

eCl@ss

eCl@ss 4.0	27250312
eCl@ss 4.1	27250312
eCl@ss 5.0	19070102
eCl@ss 5.1	19070102
eCl@ss 6.0	19070102
eCl@ss 7.0	19070102
eCl@ss 8.0	19070102

ETIM

ETIM 2.0	EC000416
ETIM 3.0	EC001698
ETIM 4.0	EC001698
ETIM 5.0	EC001698

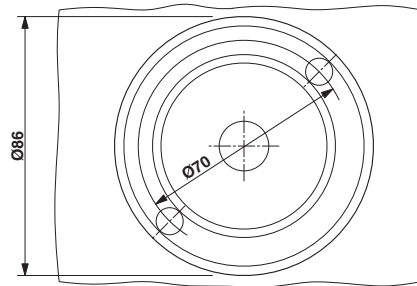
UNSPSC

UNSPSC 6.01	43171611
UNSPSC 7.0901	43221706
UNSPSC 11	43171611
UNSPSC 12.01	43221706
UNSPSC 13.2	43221706

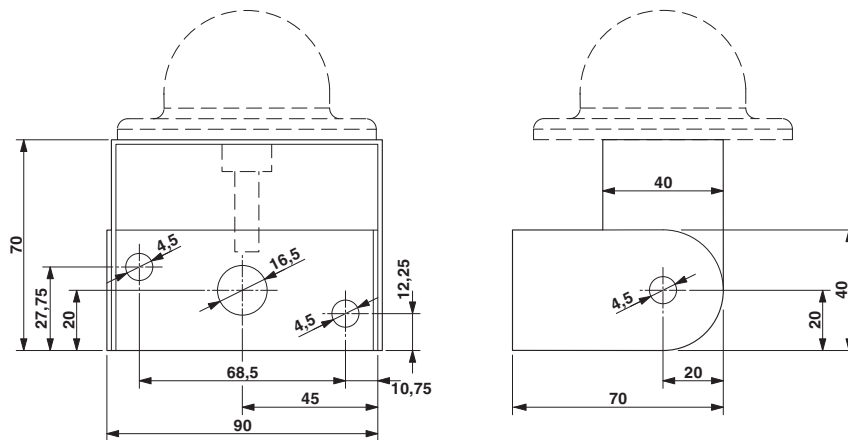
Drawings

Antenna - RAD-ISM-2400-ANT-VAN-3-0-RSMA - 2701358

Drilling diagram



Dimensioned drawing



单击下面可查看定价，库存，交付和生命周期等信息

[>>Phoenix Contact\(菲尼克斯\)](#)