

# DIN rail - NS 35/7.5 PERF 1155 - 1207666

Please be informed that the data shown in this PDF Document is generated from our Online Catalog. Please find the complete data in the user's documentation. Our General Terms of Use for Downloads are valid (<http://download.phoenixcontact.com>)



NS 35 DIN rail, height 7.5 mm, length 1155 mm

## Key commercial data

Packing unit	1
Minimum order quantity	10
Catalog page	Page 341 (CL2-2011)
GTIN	 4 017918 932626
Custom tariff number	72166190
Country of origin	GERMANY

## Technical data

### General data

Height	7.5 mm
Length	1155 mm
Width	35 mm
Material	Steel
Coating	Galvanized, passivated with a thick layer
Color	silver

## Classifications

### eclass

eCl@ss 4.0	23150301
eCl@ss 4.1	23150301
eCl@ss 5.0	27141143
eCl@ss 5.1	27141143
eCl@ss 6.0	27141143
eCl@ss 7.0	27141143

### etim

ETIM 2.0	EC001285
ETIM 3.0	EC001285

# DIN rail - NS 35/7.5 PERF 1155 - 1207666

## Classifications

etim

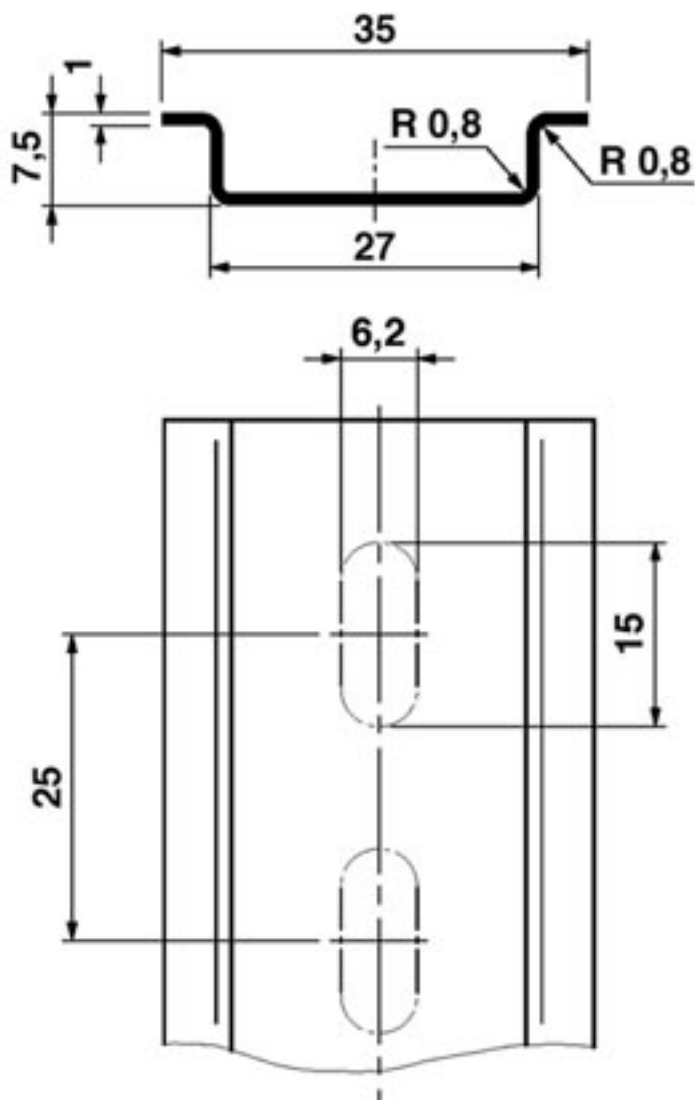
ETIM 4.0	EC001285
----------	----------

unspsc

UNSPSC 6.01	30212109
UNSPSC 7.0901	39121708
UNSPSC 11	39121708
UNSPSC 12.01	39121708
UNSPSC 13.2	39121708

## Drawings

Dimensioned drawing





单击下面可查看定价，库存，交付和生命周期等信息

[>>Phoenix Contact\(菲尼克斯\)](#)