

Housing - HC-STA-B48-HHFS-1TTP29-EM-AL



1424851

<https://www.phoenixcontact.com/us/products/1424851>

Please be informed that the data shown in this PDF document is generated from our Online Catalog. Please find the complete data in the user documentation. Our General Terms of Use for Downloads are valid.



Sleeve housing B48, for single locking latch, material: Die-cast aluminum, salt water resistant, cable outlets: 1, straight, 1x Pg29, height: 107.5 mm, cable gland: none, Standard

Your advantages

- Good shielding in the event of electromagnetic interference

Commercial Data

Item number	1424851
Packing unit	1 pc
Minimum order quantity	1 pc
Sales Key	B10
Product Key	BF7APB
Catalog Page	Page 645 (C-2-2019)
GTIN	4055626382562
Weight per Piece (including packing)	610.3 g
Weight per Piece (excluding packing)	609 g
Customs tariff number	85389099
Country of origin	CN

1424851

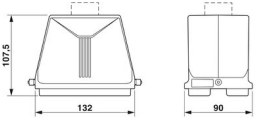
<https://www.phoenixcontact.com/us/products/1424851>

Technical Data

Product properties

Type	B48
Product type	Housing with locking latch
Application	Standard
No. of cable outlets	1
Type of the screw connection	1x Pg29
Housing type	Sleeve housing
Locking type	for single locking latch
Cable outlet	straight
Pg screw connection	none

Dimensions

Dimensional drawing	
Width	90 mm
Height	107.5 mm
Length	132 mm

Material specifications

Color	gray aluminum
Housing surface material	uncoated
Impact strength	IK08
Housing material	Die-cast aluminum, salt water resistant

Ambient conditions

Degree of protection	IP66 IP67
Degree of protection	4 (UL 50e) 4X (UL 50e) 12 (UL 50e)
Impact strength	IK08
Ambient temperature (operation)	-40 °C ... 125 °C

Mechanical properties

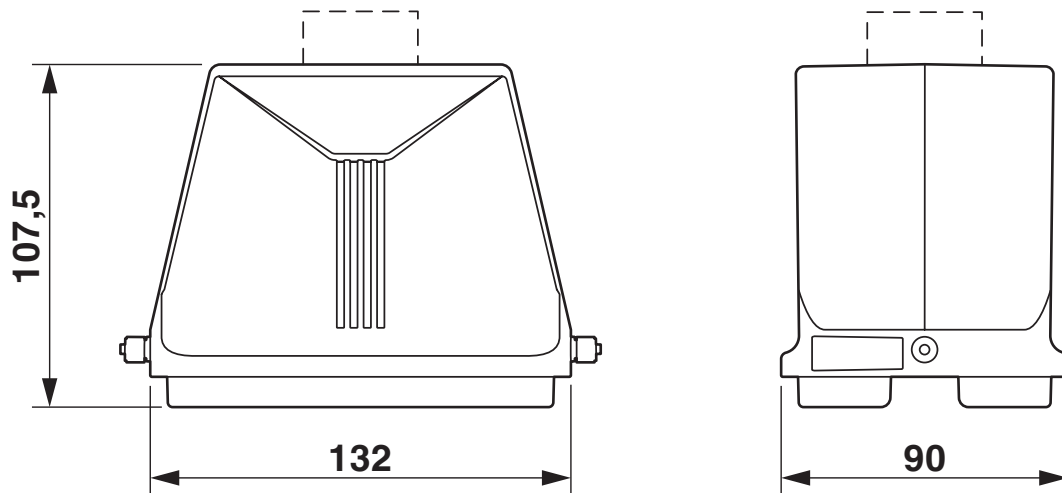
Mechanical data	
Type of the screw connection	1x Pg29
Locking type	Pin

1424851

<https://www.phoenixcontact.com/us/products/1424851>

Drawings

Dimensional drawing



Dimensional drawing

Housing - HC-STA-B48-HHFS-1TTP29-EM-AL



1424851

<https://www.phoenixcontact.com/us/products/1424851>

Approvals

DNV

Approval ID: TAE000037S



cUL Recognized

Approval ID: E255026



UL Recognized

Approval ID: E255026



EAC

Approval ID: RU C-DE.BL08.B.00511

cULus Recognized

Housing - HC-STA-B48-HHFS-1TTP29-EM-AL



1424851

<https://www.phoenixcontact.com/us/products/1424851>

Classifications

ECLASS

ECLASS-9.0	27440202
ECLASS-10.0.1	27440202
ECLASS-11.0	27440202

ETIM

ETIM 8.0	EC000437
----------	----------

UNSPSC

UNSPSC 21.0	31261500
-------------	----------

Housing - HC-STA-B48-HHFS-1TTP29-EM-AL



1424851

<https://www.phoenixcontact.com/us/products/1424851>

Environmental Product Compliance

China RoHS	Environmentally friendly use period: unlimited = EFUP-e
	No hazardous substances above threshold values

Housing - HC-STA-B48-HHFS-1TTP29-EM-AL



1424851

<https://www.phoenixcontact.com/us/products/1424851>

Accessories

Screw connection

Screw connection - WP-G HF IP66 PG29 BK - 3240893

<https://www.phoenixcontact.com/us/products/3240893>

Cable gland, Pg thread, IP66 protection, straight



Screw connection

Screw connection - WP-G HF IP69K PG29 BK - 3240879

<https://www.phoenixcontact.com/us/products/3240879>

Cable gland, Pg thread, IP68/69k protection, straight



Housing - HC-STA-B48-HHFS-1TTP29-EM-AL



1424851

<https://www.phoenixcontact.com/us/products/1424851>

Screw connection

Screw connection - WP-GA HF IP66 PG29 BK - 3240921

<https://www.phoenixcontact.com/us/products/3240921>

Cable gland, Pg thread, IP66 protection, angled



Screw connection

Screw connection - WP-GA HF IP69K PG29 BK - 3240907

<https://www.phoenixcontact.com/us/products/3240907>

Cable gland, Pg thread, IP68/69k protection, angled



Housing - HC-STA-B48-HHFS-1TTP29-EM-AL



1424851

<https://www.phoenixcontact.com/us/products/1424851>

Screw connection

Screw connection - WP-GR HF IP66 PG29 BK - 3240949

<https://www.phoenixcontact.com/us/products/3240949>



Cable gland, Pg thread, IP66 protection, with strain relief

Screw connection

Screw connection - WP-GR HF IP69K PG29 BK - 3240935

<https://www.phoenixcontact.com/us/products/3240935>



Cable gland, Pg thread, IP68/69k protection, with strain relief

Housing - HC-STA-B48-HHFS-1TTP29-EM-AL



1424851

<https://www.phoenixcontact.com/us/products/1424851>

Screw connection

Screw connection - WP-G PP HF PG29 - 3240993

<https://www.phoenixcontact.com/us/products/3240993>



Cable gland made from PP with Pg thread, IP65 protection

Screw connection

Screw connection - WP-GT PP HF PG29 - 3241007

<https://www.phoenixcontact.com/us/products/3241007>



Cable gland made from PP with Pg thread, rotatable, IP54 protection

Housing - HC-STA-B48-HHFS-1TTP29-EM-AL

1424851

<https://www.phoenixcontact.com/us/products/1424851>

Screw connection

Screw connection - WP-G BRASS IP40 PG29 - 3241042

<https://www.phoenixcontact.com/us/products/3241042>



Cable gland made from brass with Pg thread, IP40 protection

Screw connection

Screw connection - WP-GT BRASS PG29 - 3241028

<https://www.phoenixcontact.com/us/products/3241028>



Cable gland made from brass with Pg thread, rotatable, IP40 protection

Housing - HC-STA-B48-HHFS-1TTP29-EM-AL



1424851

<https://www.phoenixcontact.com/us/products/1424851>

Screw connection

Screw connection - WP-G BRASS IP65 PG29 - 3241056

<https://www.phoenixcontact.com/us/products/3241056>

Cable gland made from brass with Pg thread, IP65 protection



Phoenix Contact 2022 © - all rights reserved

<https://www.phoenixcontact.com>

Phoenix Contact USA
586 Fulling Mill Road
Middletown, PA 17057, United States
(+717) 944-1300
info@phoenixcon.com

单击下面可查看定价，库存，交付和生命周期等信息

[>>Phoenix Contact\(菲尼克斯\)](#)