

Connector - SACC-MINMR-4CON-PG13 - 1414585

Please be informed that the data shown in this PDF Document is generated from our Online Catalog. Please find the complete data in the user's documentation. Our General Terms of Use for Downloads are valid (<http://phoenixcontact.com/download>)



Connector, 4-position, Plug angled 7/8"-16UNF, Screw connection, Knurl material: Zinc die-cast, nickel-plated, Cable gland Pg13,5, External cable diameter 10 mm ... 12 mm, Contact 4 leading

Figure shows the 5-pos. version

Product Features

- Safe use in the field, thanks to a high degree of protection
- Flexible: connectors for on-site assembly
- Screw connection: proven connection technology for a large selection of different conductors
-



Key commercial data

Packing unit	1 pc
Minimum order quantity	100 pc
Weight per Piece (excluding packing)	60.0 GRM
Custom tariff number	85366990
Country of origin	Germany

Technical data

Dimensions

External diameter	10 mm ... 12 mm
Stripping length of the sheath	30 mm
Stripping length of the individual wire	7 mm

Ambient conditions

Degree of protection	IP67
----------------------	------

General

Rated current at 40°C	9 A
Rated voltage	300 V

Connector - SACC-MINMR-4CON-PG13 - 1414585

Technical data

General

Number of positions	4
Contact resistance	≤ 5 mΩ
Insulation resistance	≥ 100 MΩ
Coding	A - standard
Status display	No
Surge voltage category	II
Pollution degree	3
Connection method	Screw connection
Conductor cross section	0.34 mm ² ... 1.5 mm ²
AWG conductor cross section	22 ... 16
Insertion/withdrawal cycles	≥ 100
Torque	0.8 Nm (7/8" connectors) 0.4 Nm (Screw terminal blocks) 1 Nm ... 1.4 Nm (Pressure screw)
Tightening torque	Screw plug insert with sleeve housing as far it will go
Assembly instructions	The wires can be connected both with ferrules and without ferrules The connector pin assignment can be rotated 45° to the cable outlet

Material

Inflammability class according to UL 94	HB
Contact material	CuZn
Contact surface material	Au
Contact carrier material	PUR / PA66
Material of grip body	PBT
Material, knurls	Zinc die-cast, nickel-plated

Classifications

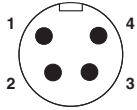
eCl@ss

eCl@ss 5.1	27061801
eCl@ss 6.0	27061801

Drawings

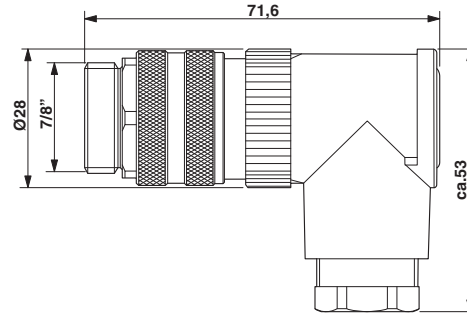
Connector - SACC-MINMR-4CON-PG13 - 1414585

Schematic diagram



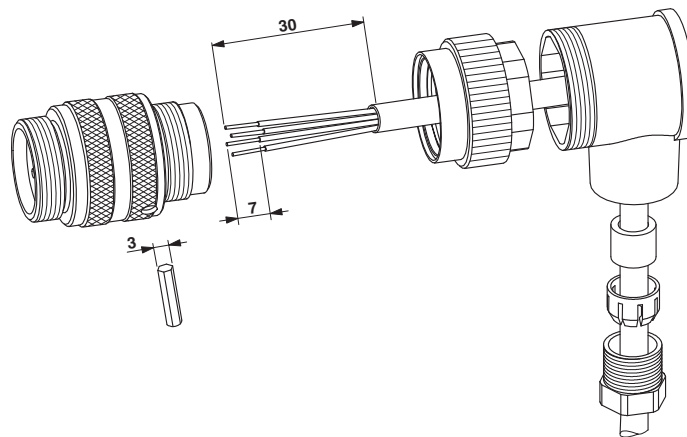
Pin assignment, plug, 7/8"-16UNF, 4-pos., view of male side

Dimensional drawing



7/8" plug, angled

Functional drawing



单击下面可查看定价，库存，交付和生命周期等信息

[>>Phoenix Contact\(菲尼克斯\)](#)