

Busbar - CAPAROC CR EXT4



1110991

<https://www.phoenixcontact.com/us/products/1110991>

Please be informed that the data shown in this PDF document is generated from our Online Catalog. Please find the complete data in the user documentation. Our General Terms of Use for Downloads are valid.

Extension busbar with 4 slots for the CAPAROC system. For installation on a DIN rail.



Your advantages

- The benchmark that you can customize with lengths that can be adapted to your requirements
- Particularly easy operation for everyone with the simple Plug and Play design
- Exceptionally easy design-in with universal busbars up to 45 A

Commercial Data

Item number	1110991
Packing unit	1 pc
Minimum order quantity	12 pc
Sales Key	C34
Product Key	CLA23Z
GTIN	4063151029135
Weight per Piece (including packing)	14.083 g
Weight per Piece (excluding packing)	14 g
Customs tariff number	85363030
Country of origin	DE

Technical Data

Notes

General

Note	LABS release – in accordance with test specification VW PV 3. 10.7:2005-0
	When using CAPAROC E1... modules, for continuous shock in accordance with IEC 60068-2-27 the 6 ms / 15g degree of severity applies

Product properties

Product type	Device circuit breakers
Number of slots	4

Insulation characteristics

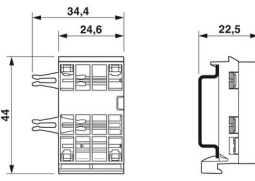
Protection class	III
Pollution degree	2

Electrical properties

General

Rated voltage	24 V DC
Rated current I_N	45 A DC (Total current input)

Dimensions

Dimensional drawing	
Width	34.4 mm
Height	44 mm
Depth	22.5 mm (incl. DIN rail 7.5 mm)

Material specifications

Color	light grey RAL 7035
Material	Copper (Busbar) PC (Housing)
Flammability rating according to UL 94	V-0

Environmental and real-life conditions

Ambient conditions

Degree of protection	IP20
Ambient temperature (operation)	-30 °C ... 65 °C (The temperature range of the power module)

Busbar - CAPAROC CR EXT4



1110991

<https://www.phoenixcontact.com/us/products/1110991>

	must be taken into consideration)
Ambient temperature (storage/transport)	-40 °C ... 70 °C
Altitude	≤ 4000 m (amsl (above mean sea level))
Humidity test	96 h, 95 % RH, 40 °C
Shock (operation)	30g (11 ms period, half-sine shock pulse, according to IEC 60068-2-27)
	25g (6 ms duration, half-sine shock pulse in accordance with IEC 60068-2-27, continuous shock)
	15g (6 ms duration, half-sine shock pulse in accordance with IEC 60068-2-27, continuous shock. If more than six CAPAROC E1 modules are used in the system.)
Vibration (operation)	5g (10 ... 150 Hz / 10 cycles / axis / X, Y, Z)

Standards and regulations

Standards/specifications	EN 61000-6-2
Standards/specifications	EN 61000-6-3
Standards/specifications	EN 60068-2-78
Standards/specifications	EN 50178
Standards/specifications	EN 60068-2-6
Standards/specifications	EN 60068-2-27

Mounting

Mounting type	DIN rail: 35 mm
---------------	-----------------

Busbar - CAPAROC CR EXT4

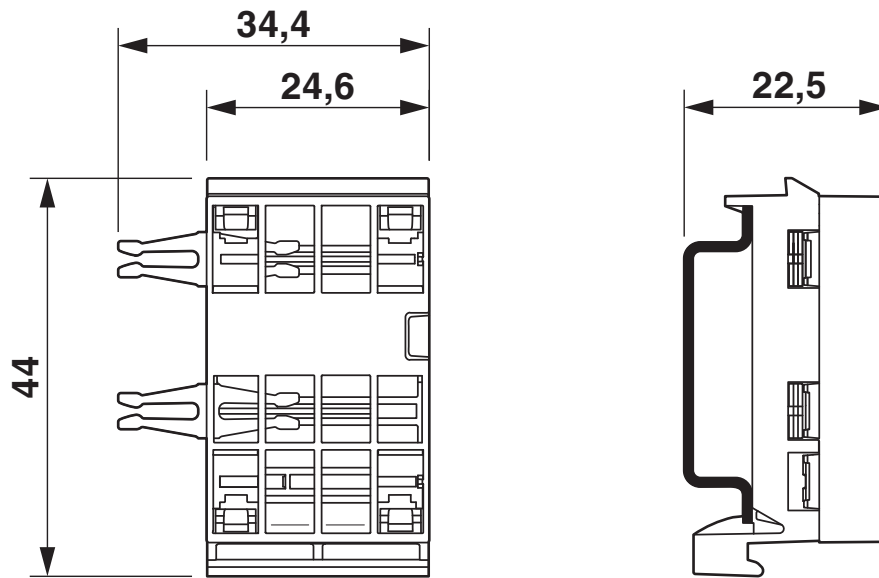
1110991

<https://www.phoenixcontact.com/us/products/1110991>



Drawings

Dimensional drawing



Busbar - CAPAROC CR EXT4



1110991

<https://www.phoenixcontact.com/us/products/1110991>

Approvals



UL Listed

Approval ID: FILE E 123528



cUL Listed

Approval ID: FILE E 123528



cUL Listed

Approval ID: FILE E 483407



UL Listed

Approval ID: FILE E 483407

cULus Listed

cULus Listed

Busbar - CAPAROC CR EXT4



1110991

<https://www.phoenixcontact.com/us/products/1110991>

Classifications

ECLASS

ECLASS-9.0	27141116
ECLASS-10.0.1	27140401
ECLASS-11.0	27140401

ETIM

ETIM 8.0	EC003538
----------	----------

UNSPSC

UNSPSC 21.0	39121400
-------------	----------

Busbar - CAPAROC CR EXT4



1110991

<https://www.phoenixcontact.com/us/products/1110991>

Environmental Product Compliance

China RoHS	Environmentally friendly use period: unlimited = EFUP-e
	No hazardous substances above threshold values

1110991

<https://www.phoenixcontact.com/us/products/1110991>

Accessories

Electronic circuit breaker

Electronic circuit breaker - CAPAROC E1 12-24DC/1-4A - 1115415

<https://www.phoenixcontact.com/us/products/1115415>



1-channel electronic circuit breaker module for protecting 12 and 24 V DC loads against overload and short circuit. Nominal current adjustable from 1 A to 4 A via LED button. For DIN rail installation via the CAPAROC current rails.

Electronic circuit breaker

Electronic circuit breaker - CAPAROC E1 12-24DC/1-10A - 1115649

<https://www.phoenixcontact.com/us/products/1115649>



1-channel electronic circuit breaker module for protecting 12 and 24 V DC loads against overload and short circuit. Nominal current adjustable from 1 A to 10 A via LED button. For DIN rail installation via the CAPAROC current rails.

Busbar - CAPAROC CR EXT4



1110991

<https://www.phoenixcontact.com/us/products/1110991>

Electronic circuit breaker

Electronic circuit breaker - CAPAROC E1 12-24DC/1A - 1157288

<https://www.phoenixcontact.com/us/products/1157288>



1-channel electronic circuit breaker module for protecting 12 and 24 V DC loads against overload and short circuit. With fixed nominal current. For DIN rail installation via the CAPAROC current rails.

Electronic circuit breaker

Electronic circuit breaker - CAPAROC E1 12-24DC/2A - 1157290

<https://www.phoenixcontact.com/us/products/1157290>



1-channel electronic circuit breaker module for protecting 12 and 24 V DC loads against overload and short circuit. With fixed nominal current. For DIN rail installation via the CAPAROC current rails.

Busbar - CAPAROC CR EXT4



1110991

<https://www.phoenixcontact.com/us/products/1110991>

Electronic circuit breaker

Electronic circuit breaker - CAPAROC E1 12-24DC/4A - 1157285

<https://www.phoenixcontact.com/us/products/1157285>



1-channel electronic circuit breaker module for protecting 12 and 24 V DC loads against overload and short circuit. With fixed nominal current. For DIN rail installation via the CAPAROC current rails.

Electronic circuit breaker

Electronic circuit breaker - CAPAROC E1 12-24DC/6A - 1157286

<https://www.phoenixcontact.com/us/products/1157286>



1-channel electronic circuit breaker module for protecting 12 and 24 V DC loads against overload and short circuit. With fixed nominal current. For DIN rail installation via the CAPAROC current rails.

Busbar - CAPAROC CR EXT4



1110991

<https://www.phoenixcontact.com/us/products/1110991>

Electronic circuit breaker

Electronic circuit breaker - CAPAROC E1 12-24DC/8A - 1157279

<https://www.phoenixcontact.com/us/products/1157279>



1-channel electronic circuit breaker module for protecting 12 and 24 V DC loads against overload and short circuit. With fixed nominal current. For DIN rail installation via the CAPAROC current rails.

Electronic circuit breaker

Electronic circuit breaker - CAPAROC E1 12-24DC/10A - 1157284

<https://www.phoenixcontact.com/us/products/1157284>



1-channel electronic circuit breaker module for protecting 12 and 24 V DC loads against overload and short circuit. With fixed nominal current. For DIN rail installation via the CAPAROC current rails.

Busbar - CAPAROC CR EXT4

1110991

<https://www.phoenixcontact.com/us/products/1110991>

Electronic circuit breaker

Electronic circuit breaker - CAPAROC E2 12-24DC/1-4A - 1115655

<https://www.phoenixcontact.com/us/products/1115655>



2-channel electronic circuit breaker module for protecting 12 and 24 V DC loads against overload and short circuit. Nominal current adjustable from 1 A to 4 A via step switch. For DIN rail installation via the CAPAROC current rails.

Electronic circuit breaker

Electronic circuit breaker - CAPAROC E2 12-24DC/2-10A - 1110984

<https://www.phoenixcontact.com/us/products/1110984>



2-channel electronic circuit breaker module for protecting 12 and 24 V DC loads against overload and short circuit. Nominal current adjustable from 2 A to 10 A via step switch. For DIN rail installation via the CAPAROC current rails.

Busbar - CAPAROC CR EXT4



1110991

<https://www.phoenixcontact.com/us/products/1110991>

Electronic circuit breaker

Electronic circuit breaker - CAPAROC E4 12-24DC/1-4A - 1115657

<https://www.phoenixcontact.com/us/products/1115657>



Four-channel electronic circuit breaker module for protecting 12 and 24 V DC loads against overload and short circuit. Nominal current adjustable from 1 A to 4 A via LED button. For DIN rail installation via the CAPAROC current rails.

Electronic circuit breaker

Electronic circuit breaker - CAPAROC E4 12-24DC/1-10A - 1115658

<https://www.phoenixcontact.com/us/products/1115658>



Four-channel electronic circuit breaker module for protecting 12 and 24 V DC loads against overload and short circuit. Nominal current adjustable from 1 A to 10 A via LED button. For DIN rail installation via the CAPAROC current rails.

Busbar - CAPAROC CR EXT4

1110991

<https://www.phoenixcontact.com/us/products/1110991>

Potential distributors

Potential distributors - CAPAROC PD 0V - 1110987

<https://www.phoenixcontact.com/us/products/1110987>



Potential distributor with Push-in connections for directly connecting the 0 V return conductor in the CAPAROC system. For DIN rail installation via the CAPAROC current rails.

Busbar

Busbar - CAPAROC CR 20 - 1110989

<https://www.phoenixcontact.com/us/products/1110989>



Busbar for CAPAROC system with 20 slots. For installation on a DIN rail.

Busbar - CAPAROC CR EXT4

1110991

<https://www.phoenixcontact.com/us/products/1110991>



Busbar

Busbar - CAPAROC CR 8 - 1115672

<https://www.phoenixcontact.com/us/products/1115672>

Busbar for the CAPAROC system with 8 slots. For installation on a DIN rail.



Phoenix Contact 2022 © - all rights reserved

<https://www.phoenixcontact.com>

Phoenix Contact USA
586 Fulling Mill Road
Middletown, PA 17057, United States
(+717) 944-1300
info@phoenixcon.com

单击下面可查看定价，库存，交付和生命周期等信息

[>>Phoenix Contact \(菲尼克斯\)](#)