

## Hybrid motor starter - ELR H5-I-SC- 24DC/500AC-2-SP - 2901063

Please be informed that the data shown in this PDF Document is generated from our Online Catalog. Please find the complete data in the user's documentation. Our General Terms of Use for Downloads are valid (<http://phoenixcontact.com/download>)



Hybrid motor starter for reversing 3~ AC motors up to 550 V AC, with 24 V DC input, 2.4 A output current, adjustable overload shutdown, class 10 tripping characteristics, and with no underload detection.

The figure shows the 9 A version



### Key Commercial Data

Packing unit	1 pc
Weight per Piece (excluding packing)	260.0 g
Custom tariff number	85371099
Country of origin	Germany

### Technical data

#### Dimensions

Width	22.5 mm
Height	99 mm
Depth	114.5 mm

#### Ambient conditions

Ambient temperature (operation)	-25 °C ... 70 °C (observe derating)
Ambient temperature (storage/transport)	-40 °C ... 80 °C
Degree of protection	IP20

#### Input data

Input name	Device supply
Rated control circuit supply voltage $U_s$	24 V DC
Control supply voltage range	19.2 V DC ... 30 V DC
Rated control supply current $I_s$	40 mA
Protective circuit	Reverse polarity protection Parallel polarity protection diode
	Surge protection

# Hybrid motor starter - ELR H5-I-SC- 24DC/500AC-2-SP - 2901063

## Technical data

### Input data

Operating voltage display	Green LED
Status display	Yellow LED
Indication	Red LED
Input name	Control input right/left
Rated actuating voltage $U_c$	24 V DC
Rated actuating current $I_c$	5 mA
Switching threshold	9.6 V ("0" signal)
	19.2 V ("1" signal)
Protective circuit	Reverse polarity protection
Typical turn-off time	< 30 ms

### Output data

Output name	AC output
Rated operating current at AC-51	2.4 A
Rated operating current at AC-53a	2.4 A
Leakage current	0 mA
Type of protection	Surge protection
Protective circuit/component	Varistor
Output name	Acknowledge output
Note	Confirmation: floating change-over contact, signal contact

### Connection data, control circuit

Connection name	Control circuits
Connection method	Screw connection
Stripping length	8 mm
Screw thread	M3
Conductor cross section solid	0.2 mm <sup>2</sup> ... 2.5 mm <sup>2</sup>
Conductor cross section flexible	0.2 mm <sup>2</sup> ... 2.5 mm <sup>2</sup>
Conductor cross section AWG	24 ... 14
Torque	0.5 Nm ... 0.6 Nm

### General

Switching frequency	$\leq 2$ Hz (Load-dependent)
Mounting position	vertical (horizontal DIN rail, motor output below)
Assembly instructions	alignable, for spacing see derating
Operating mode	100% operating factor
Designation	Standards/regulations
Standards/regulations	IEC 60947-1
	EN 60947-4-2

# Hybrid motor starter - ELR H5-I-SC- 24DC/500AC-2-SP - 2901063

## Technical data

### General

	IEC 61508
	ISO 13849

### Standards and Regulations

Designation	Standards/regulations
Standards/regulations	IEC 60947-1
	EN 60947-4-2
	IEC 61508
	ISO 13849

## Classifications

### eCl@ss

eCl@ss 4.0	27371102
eCl@ss 4.1	27371102
eCl@ss 5.0	27371601
eCl@ss 5.1	27371601
eCl@ss 6.0	27371601
eCl@ss 7.0	27371601
eCl@ss 8.0	27370905
eCl@ss 9.0	27370905

### ETIM

ETIM 3.0	EC000066
ETIM 4.0	EC000066
ETIM 5.0	EC002055

### UNSPSC

UNSPSC 6.01	30211915
UNSPSC 7.0901	39121514
UNSPSC 11	39121514
UNSPSC 12.01	39121514
UNSPSC 13.2	39121514

## Approvals

### Approvals

# Hybrid motor starter - ELR H5-I-SC- 24DC/500AC-2-SP - 2901063

## Approvals

Approvals

UL Listed / cUL Listed / UL Listed / cUL Listed / EAC / cULus Listed

---

Ex Approvals


---

Approvals submitted

---

## Approval details

UL Listed 

cUL Listed 

UL Listed 

cUL Listed 

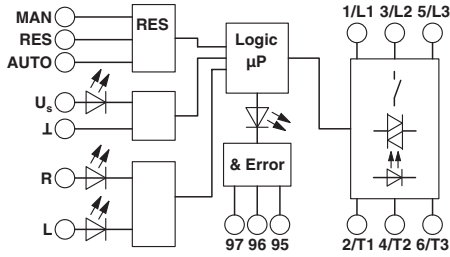
EAC

cULus Listed 

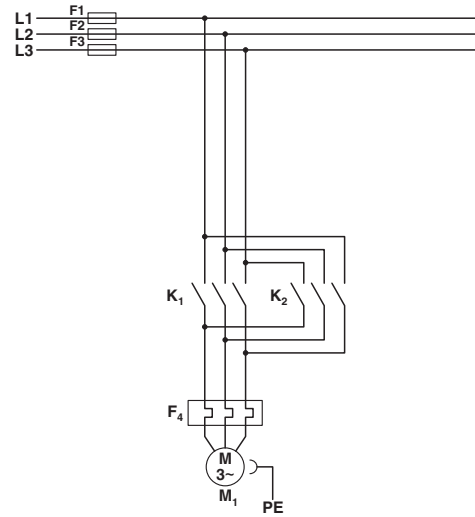
## Drawings

# Hybrid motor starter - ELR H5-I-SC- 24DC/500AC-2-SP - 2901063

Block diagram

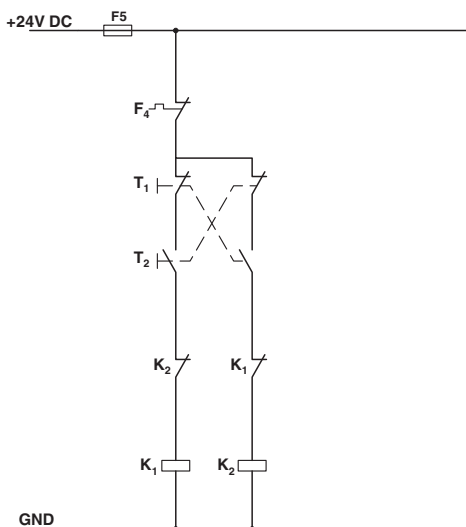


Circuit diagram



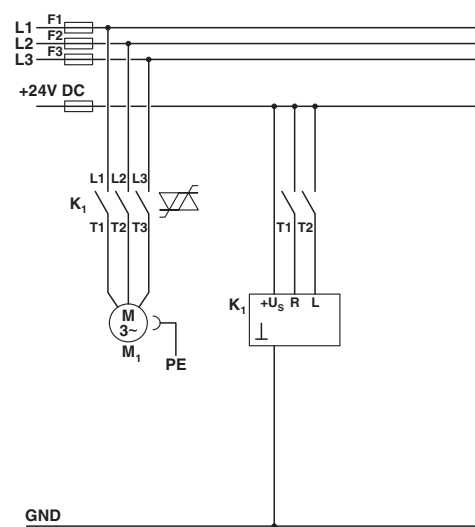
Conventional structure  
 Main current path contactor  
 K1 = Left contactor  
 K2 = Right contactor  
 F4 = Motor protection relay

Circuit diagram



Conventional structure  
 Control current path contactor  
 K1 = Left contactor

Circuit diagram



Structure with CONTACTRON  
 Main and control current path for '3 in 1' hybrid motor starter  
 K1 = '3 in 1' hybrid motor starter

## Hybrid motor starter - ELR H5-I-SC- 24DC/500AC-2-SP - 2901063

K2 = Right contactor

T1 = Right, T2 = Left

T1 = Left, T2 = Right

F4 = Motor protection relay

---

Phoenix Contact 2016 © - all rights reserved  
<http://www.phoenixcontact.com>

单击下面可查看定价，库存，交付和生命周期等信息

[>>Phoenix Contact \(菲尼克斯\)](#)