

SACB-4/ 4-L- 5,0PUR SCO


Order No.: 1517084



<http://eshop.phoenixcontact.de/phoenix/treeViewClick.do?UID=1517084>

Sensor/actuator box, M12-SPEEDCON-socket, Number of slots: 4, Number of positions: 4, Slot assignment: Single, Status indication: Yes, pnp 180°, PUR/PVC, Cable length: 5 m, Shielding: No



| Commercial data | |
|--------------------------|--------------------------------------------------------------------------------------------------------|
| GTIN (EAN) |  4 017918 967758 |
| sales group | D101 |
| Pack | 1 pcs. |
| Customs tariff | 85366990 |
| Catalog page information | Page 116 (PC-2009) |

Product notes

WEEE/RoHS-compliant since:
08/01/2007



<http://www.download.phoenixcontact.com>
Please note that the data given here has been taken from the online catalog. For comprehensive information and data, please refer to the user documentation. The General Terms and Conditions of Use apply to Internet downloads.

Technical data

General data

| | |
|------------------------------------------|---------|
| Rated voltage | 24 V DC |
| Max. operating voltage U_{max} | 30 V DC |
| Current carrying capacity per I/O signal | 2 A |
| Current carrying capacity per slot | 4 A |

| | |
|------------------------------------|---------------------|
| Total rated current | 12 A |
| Number of positions | 4 |
| Number of slots | 4 |
| Degree of protection | IP65/IP67/IP69K |
| Inflammability class acc. to UL 94 | V0 |
| Ambient temperature (operation) | -30 °C ... 90 °C |
| Sensor/actuator connection system | M12-SPEEDCON-socket |

Local diagnostics function

| | |
|-------------------|-------------------------------|
| Local diagnostics | Supply voltage Green LED |
| | Status display I/O Yellow LED |

Master cable data

| | |
|----------------------------------------------|--------------------------------------------------|
| Type of connection | Fixed connection |
| Length of cable | 5 m |
| Cable type | Master cable suitable for flexible cable conduit |
| Signal line cross section | 4x 0.34 mm ² |
| AWG signal line | 22 |
| Conductor structure signal line | 42x 0.10 mm |
| Power supply cross section | 3x 0.75 mm ² |
| AWG power supply | 18 |
| Conductor structure, voltage supply | 96x 0.10 mm |
| External diameter | 8.7 mm |
| Max. bending cycles | 1500000 |
| Bending radius | 90 mm |
| Traversing path | 2 m |
| Traversing rate | 2 m/s |
| Ambient temperature (operation) | -40 °C ... 90 °C (for fixed installation) |
| | -5 °C ... 80 °C (for flexible installation) |
| Tightening torque slot sensor/actuator cable | 0.4 Nm |
| Tightening torque screw plug | 0.4 Nm |

Insulation material

| | |
|-------------------------------|-------------|
| Housing material | PBT |
| Material of the moulding mass | PUR |
| Contact material | Cu alloy |
| Contact surface material | Gold-plated |

| | |
|-------------------------------------|---------------|
| Contact carrier material | PA |
| Material of threaded sleeve | Zinc die-cast |
| Material of threaded sleeve surface | Nickel-plated |
| Material, O-ring | NBR |

Pin assignment

| | |
|------------------------------------------|-----------------------|
| Slot/position = Wire color or connection | 1 / 4 (A) = WH |
| | 2 / 4 (A) = GN |
| | 3 / 4 (A) = YE |
| | 4 / 4 (A) = GY |
| | 1-4 / 1 (+ 24 V) = BN |
| | 1-4 / 3 (0 V) = BU |
| | 1-4 / 5 (PE) = GN/YE |

Certificates / Approvals



Certification CUL, UL

Accessories

| Item | Designation | Description |
|----------------|---------------|-----------------------------------------------------------------------------------------------------------------------------------------------------------------------------------------------------------------------------------|
| Marking | | |
| 0804963 | SS-ZB 17,5 WH | Contact marker Zack strip, unprinted: 5-section, for snapping into equipment and components with special marker carrier, can be labeled with M-PEN, CMS system or label BMKT 17.5 x 8, lettering field: 17.5 x 8 mm, color: white |

Protection and sealing elements

| | | |
|---------|-------------|--------------------------------------------------------------------------------------------------------------------------------------|
| 1553129 | PROT-MS SCO | M12 screw plug with SPEEDCON quick locking for unoccupied M12 sockets of the sensor/actuator cables, boxes and flush-type connectors |
|---------|-------------|--------------------------------------------------------------------------------------------------------------------------------------|

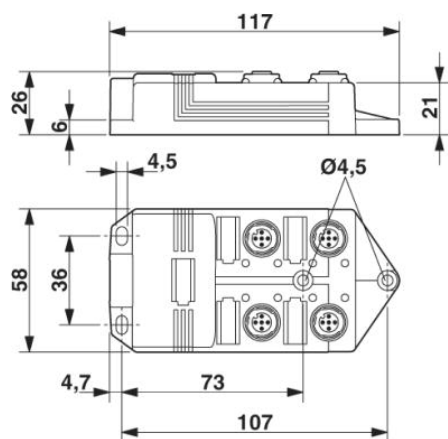
Tools

| | | |
|---------|-----------------|-------------------------------------------------------------------------------------------------------------------------------------------------------|
| 1208432 | SAC BIT M12-D15 | Nut for assembling sensor/actuator cables with M12 connector and for M12 connectors with QUICKON fast connection technology, for 4 mm hexagonal drive |
|---------|-----------------|-------------------------------------------------------------------------------------------------------------------------------------------------------|

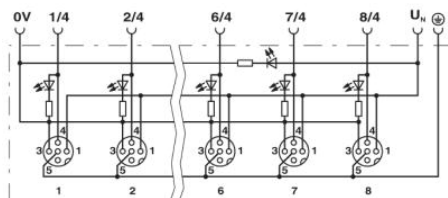
| | | |
|---------|------------------|------------------------------------------------------------------------------------------------------------------------------------------------------|
| 1208445 | SACC BIT M12-D20 | Nut for assembling SACC M12 connectors for free assembly, excluding M12 connectors with QUICKON fast connection technology, for 4 mm hexagonal drive |
| 1208429 | TSD 04 SAC | Torque screwdriver, with preset torque of 0.4 Nm and 4 mm hexagonal drive for M12 connectors |

Diagrams/Drawings

Dimensioned drawing

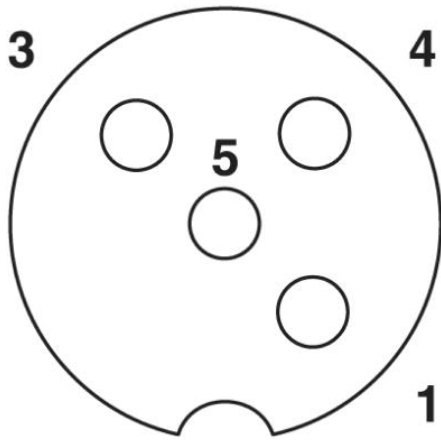


Circuit diagram



Schematic diagram

M12 slot, socket, 4-pos.



Address

PHOENIX CONTACT Inc., USA
586 Fulling Mill Road
Middletown, PA 17057, USA
Phone (800) 888-7388
Fax (717) 944-1625
<http://www.phoenixcon.com>



© 2010 Phoenix Contact
Technical modifications reserved;

单击下面可查看定价，库存，交付和生命周期等信息

[>>Phoenix Contact\(菲尼克斯\)](#)