

Electronic housing - EG 90-AG/PC GN - 2764991

Please be informed that the data shown in this PDF Document is generated from our Online Catalog. Please find the complete data in the user's documentation. Our General Terms of Use for Downloads are valid (<http://phoenixcontact.com/download>)

Housing cover, closed




Illustration shows a fully mounted version of the electronic housing

Product Features

- Tool-free mounting
- Fast snap-on mounting on symmetrical DIN rails according to EN 60715
- Optimum accommodation of electronic components with graded pitches with a design width of 22.5 mm, 45 mm, 67.5 mm, and 90 mm
- Practical and easy-to-wire conductor connection using extra finely stranded sturdy screw terminal blocks up to 2.5 mm²
- Date of manufacture and material and part identification embossed on the housing (recyclability)
- Functional and industry-oriented housing technology
- Shock and contamination-proof accommodation of electronic components (IP40 housing, IP20 terminal blocks)



Key commercial data

| | |
|--------------------------------------|---|
| Packing unit | 1 pc |
| GTIN |  4 017918 132026 |
| Weight per Piece (excluding packing) | 34.79 GRM |
| Custom tariff number | 85369010 |
| Country of origin | Germany |

Technical data

General

| | |
|------------------|-------------------|
| Housing type | Component housing |
| Housing material | ABS |
| Color | green |

Electronic housing - EG 90-AG/PC GN - 2764991

Technical data

Ambient conditions

| | |
|---------------------------------|-------|
| Ambient temperature (operation) | 80 °C |
|---------------------------------|-------|

Dimensions

| | |
|-----------------------|---------|
| Length | 75 mm |
| Constructional height | 17.5 mm |
| Width | 90 mm |

Technical data

| | |
|---|----|
| Inflammability class according to UL 94 | V0 |
| Number of positions | 34 |

Classifications

eCl@ss

| | |
|------------|----------|
| eCl@ss 4.0 | 27180401 |
| eCl@ss 4.1 | 27180401 |
| eCl@ss 5.0 | 27180506 |
| eCl@ss 5.1 | 27180506 |
| eCl@ss 6.0 | 27180802 |
| eCl@ss 7.0 | 27182702 |
| eCl@ss 8.0 | 27182702 |

ETIM

| | |
|----------|----------|
| ETIM 2.0 | EC001031 |
| ETIM 3.0 | EC001031 |
| ETIM 4.0 | EC001031 |
| ETIM 5.0 | EC000886 |

UNSPSC

| | |
|---------------|----------|
| UNSPSC 6.01 | 31261501 |
| UNSPSC 7.0901 | 31261501 |
| UNSPSC 11 | 31261501 |
| UNSPSC 12.01 | 31261501 |
| UNSPSC 13.2 | 31261501 |

Approvals

Approvals

Electronic housing - EG 90-AG/PC GN - 2764991

Approvals

Approvals

UL Recognized

Ex Approvals

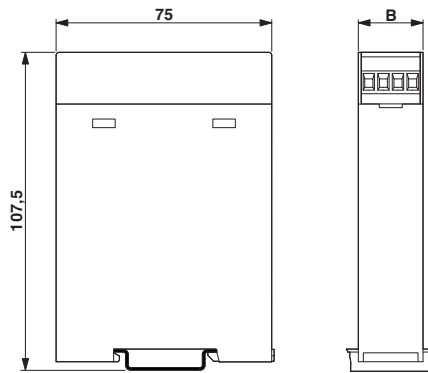
Approvals submitted

Approval details



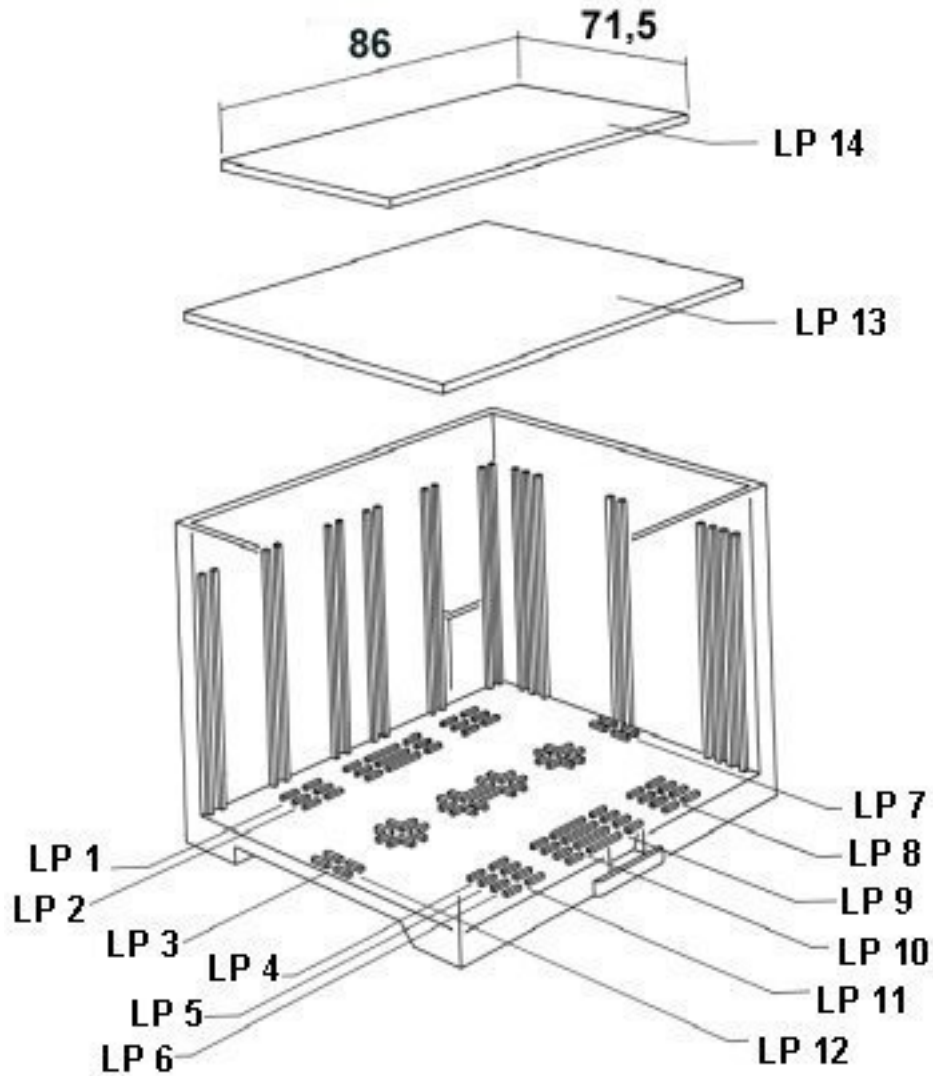
Drawings

Dimensioned drawing



Electronic housing - EG 90-AG/PC GN - 2764991

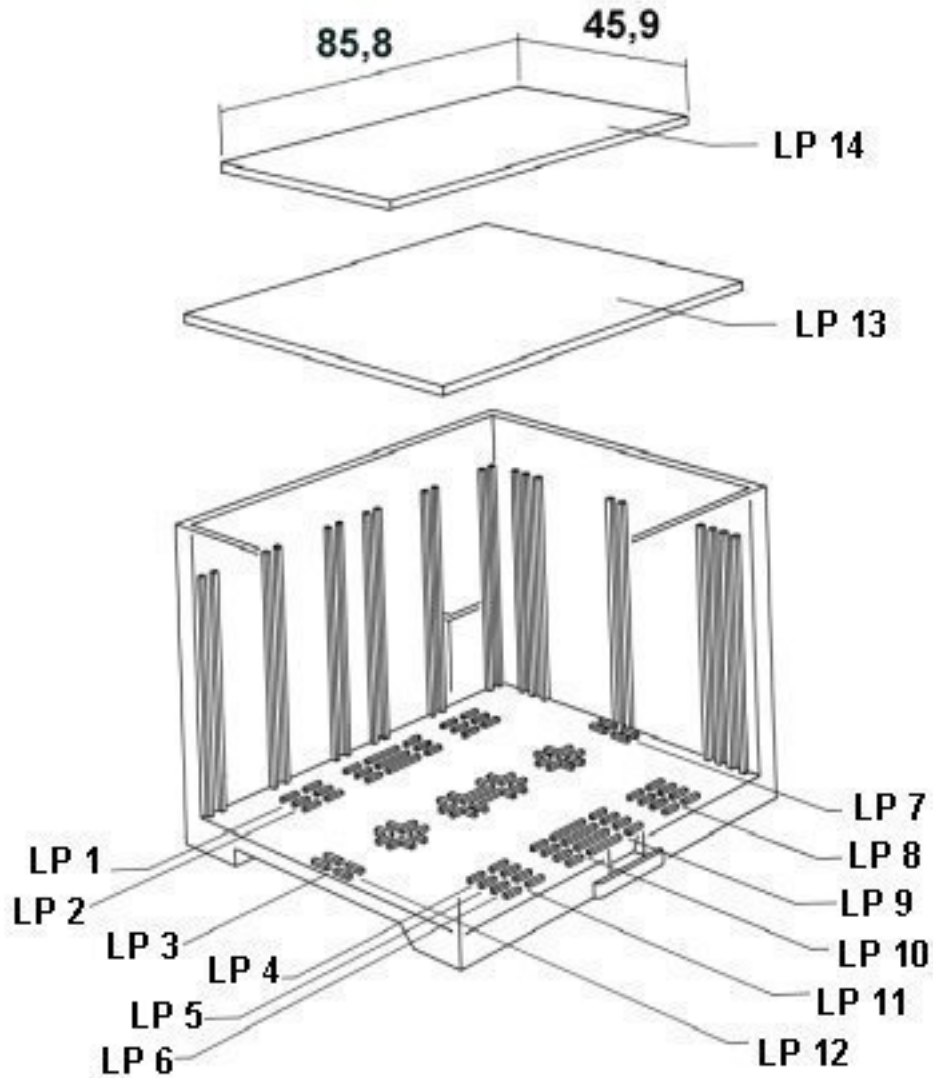
Explosion drawing



valid for PCB 13

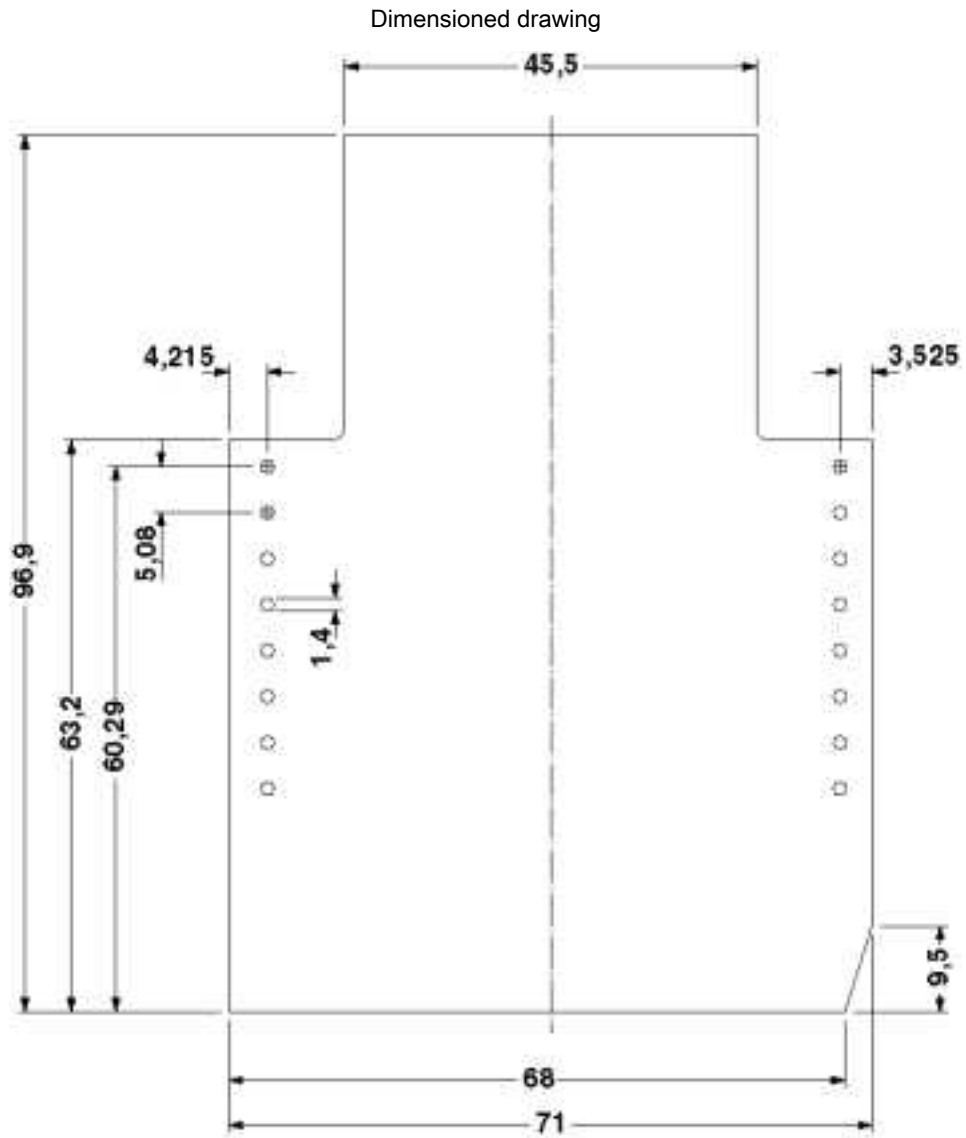
Electronic housing - EG 90-AG/PC GN - 2764991

Explosion drawing



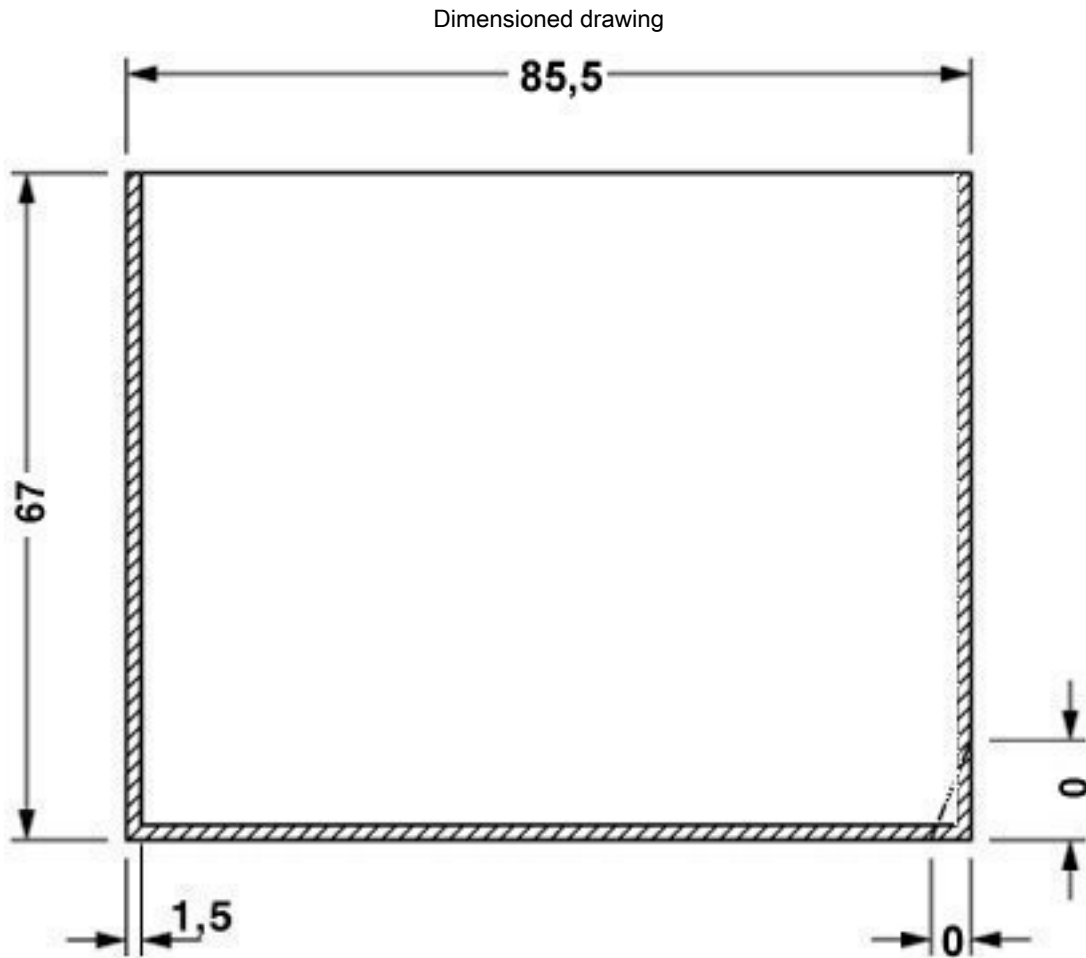
valid for PCB 14

Electronic housing - EG 90-AG/PC GN - 2764991



Component mounting side, if the double-level upper part is used

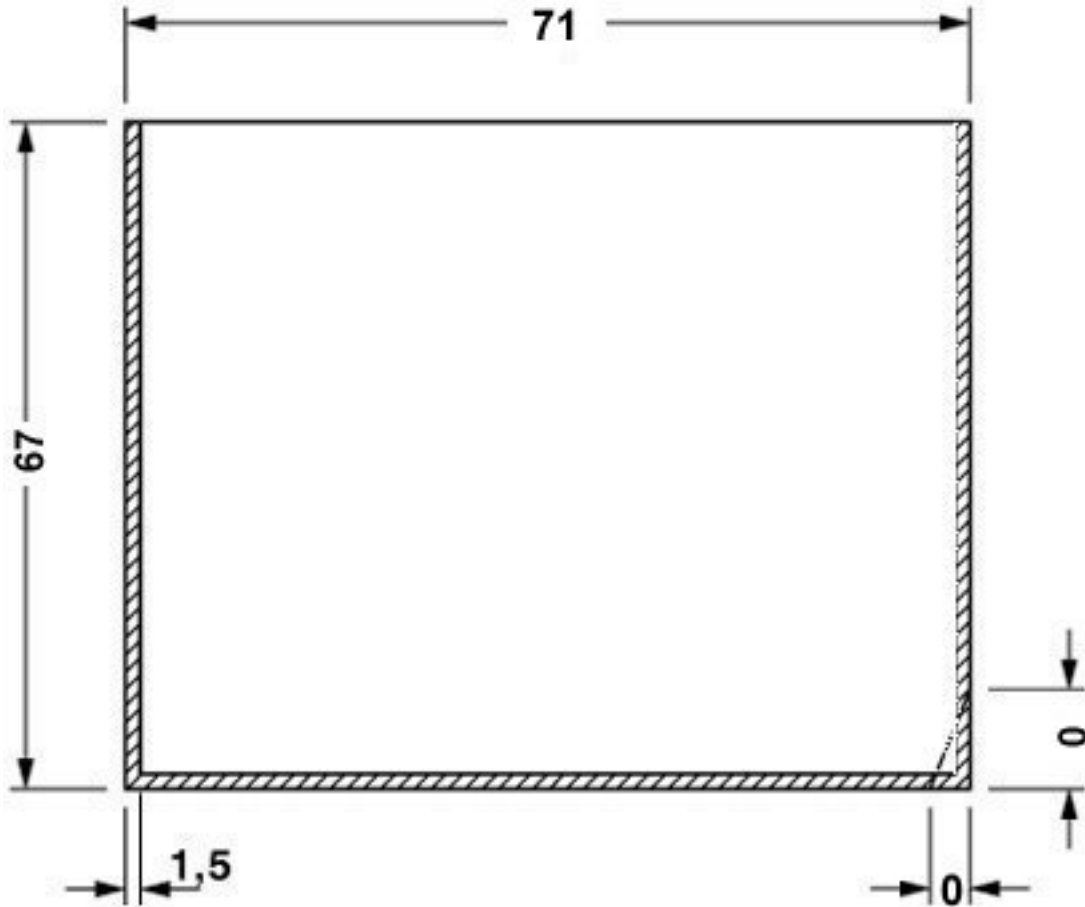
Electronic housing - EG 90-AG/PC GN - 2764991



valid for PCB 1; 2; 3; 4; 5 und 6, see explosion drawing

Electronic housing - EG 90-AG/PC GN - 2764991

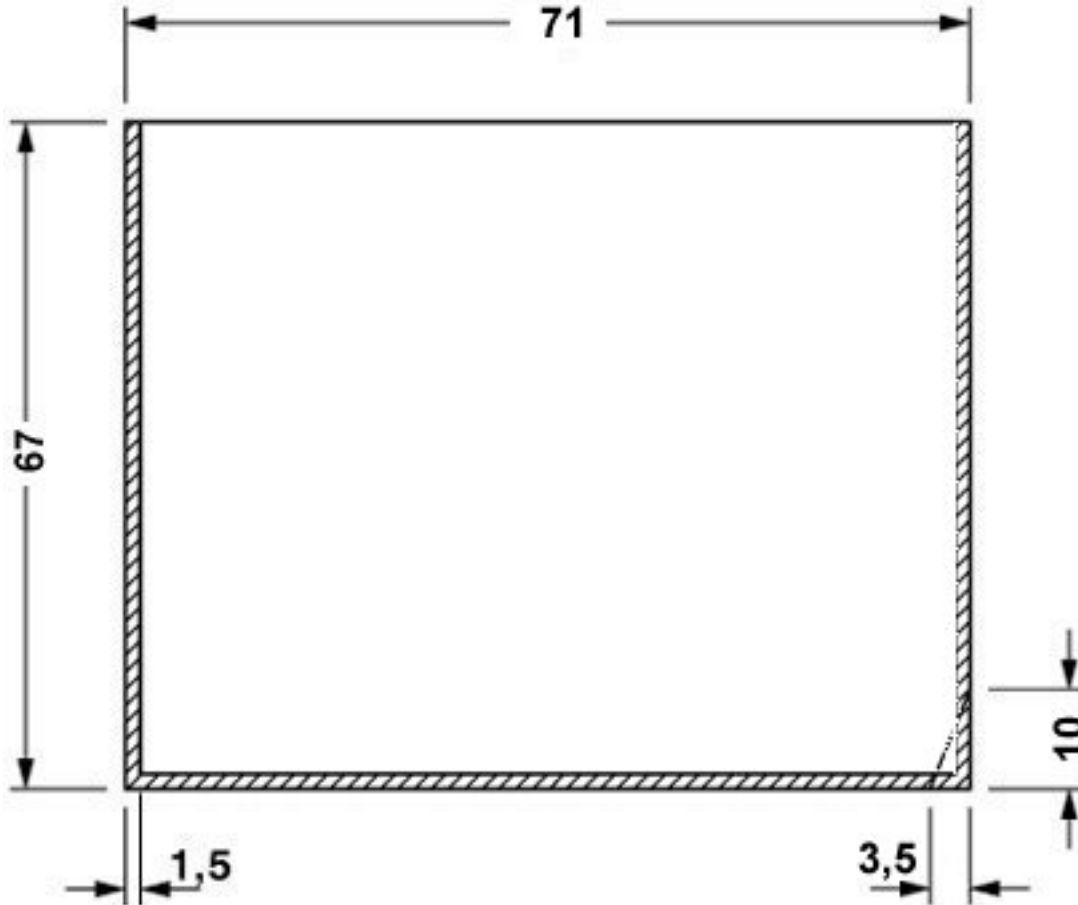
Dimensioned drawing



valid for PCB 7; 8; 11 and 12, see explosion drawing

Electronic housing - EG 90-AG/PC GN - 2764991

Dimensioned drawing



valid for PCB 9 and 10, see explosion drawing

单击下面可查看定价，库存，交付和生命周期等信息

[>>Phoenix Contact\(菲尼克斯\)](#)