

Electronic housing - ME 22.5 TBUS1.5/5-ST-3.81 KMGY - 2713722

Please be informed that the data shown in this PDF Document is generated from our Online Catalog. Please find the complete data in the user's documentation. Our General Terms of Use for Downloads are valid (<http://download.phoenixcontact.com>)



Plug component, Nominal current: 8 A



Key commercial data

Packing unit	1
Minimum order quantity	50
Catalog page	Page 609 (CC-2011)
GTIN	 4 017918 914516
Custom tariff number	85366990
Country of origin	GERMANY

Technical data

Technical data

Nominal current I_N	8 A
Nominal voltage U_N	125 V
Maximum load current	8 A
Inflammability class according to UL 94	V0
Nominal voltage, UL/CUL Use Group B	150 V
Nominal current, UL/CUL Use Group B	8 A
Nominal voltage, UL/CUL Use Group D	150 V
Nominal current, UL/CUL Use Group D	8 A

Classifications

ETIM

ETIM 2.0	EC001031
ETIM 3.0	EC001031
ETIM 4.0	EC002638
ETIM 5.0	EC002638

Electronic housing - ME 22.5 TBUS1.5/5-ST-3.81 KMGY - 2713722

Classifications

UNSPSC

UNSPSC 11	31261501
UNSPSC 12.01	31261501
UNSPSC 13.2	31261501
UNSPSC 6.01	31261501
UNSPSC 7.0901	31261501

eCl@ss

eCl@ss 4.0	27180401
eCl@ss 4.1	27180401
eCl@ss 5.0	27180506
eCl@ss 5.1	27180506
eCl@ss 6.0	27180802
eCl@ss 7.0	27182702

Approvals

Approvals


Approvals


UL Recognized / cUL Recognized / cULus Recognized

Ex Approvals

Approvals submitted

Approval details

UL Recognized 

cUL Recognized 		
	B	D
Nominal current I _N	8 A	8 A
Nominal voltage U _N	150 V	150 V

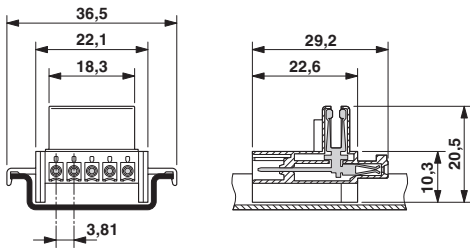
Electronic housing - ME 22.5 TBUS1.5/5-ST-3.81 KMGY - 2713722

Approvals

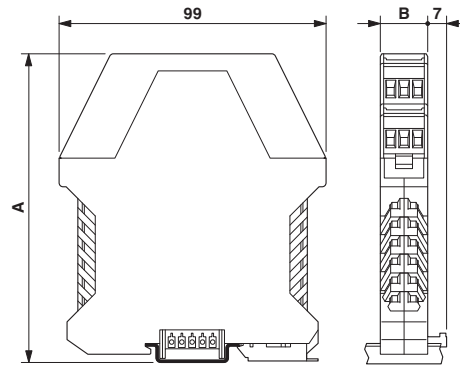


Drawings

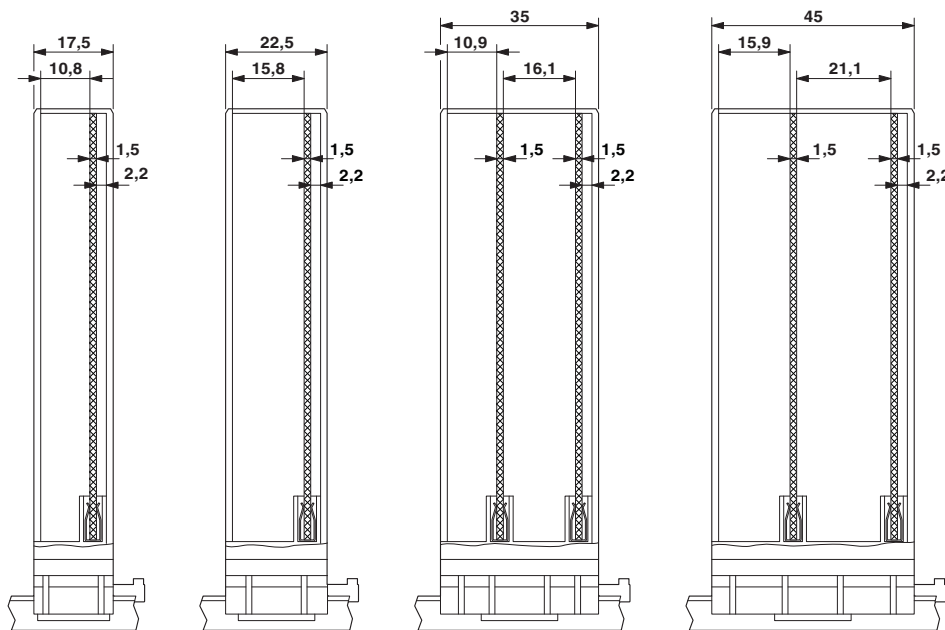
Dimensioned drawing



Dimensioned drawing



Dimensioned drawing



单击下面可查看定价，库存，交付和生命周期等信息

[>>Phoenix Contact\(菲尼克斯\)](#)