

Spacer plate - DP PS-5 - 3036725

Please be informed that the data shown in this PDF Document is generated from our Online Catalog. Please find the complete data in the user's documentation. Our General Terms of Use for Downloads are valid (<http://download.phoenixcontact.com>)



Spacer plate, Color: red

Why buy this product

- The test plugs make contact in the function shaft of terminal blocks from the CLIPLINE complete system
- Test adapters can be assembled individually using DP PS-... modular spacers



Key commercial data

Packing unit	1
Minimum order quantity	10
Catalog page	Page 394 (CL1-2011)
GTIN	 4 017918 818975
Custom tariff number	85369010
Country of origin	POLAND

Technical data

Product type	Partition plate
Approval	GOST

Classifications

eclass

eCl@ss 4.0	27141199
eCl@ss 4.1	27141199
eCl@ss 5.0	27141145
eCl@ss 5.1	27141145
eCl@ss 6.0	27141133
eCl@ss 7.0	27141133

etim

ETIM 2.0	EC000897
----------	----------

Spacer plate - DP PS-5 - 3036725

Classifications

etim

ETIM 3.0	EC000897
ETIM 4.0	EC000886
ETIM 5.0	EC000886

unspsc

UNSPSC 6.01	30211812
UNSPSC 7.0901	39121410
UNSPSC 11	39121411
UNSPSC 12.01	39121411
UNSPSC 13.2	39121411

Approvals

Approvals

Approvals

GOST

Ex Approvals

Approvals submitted

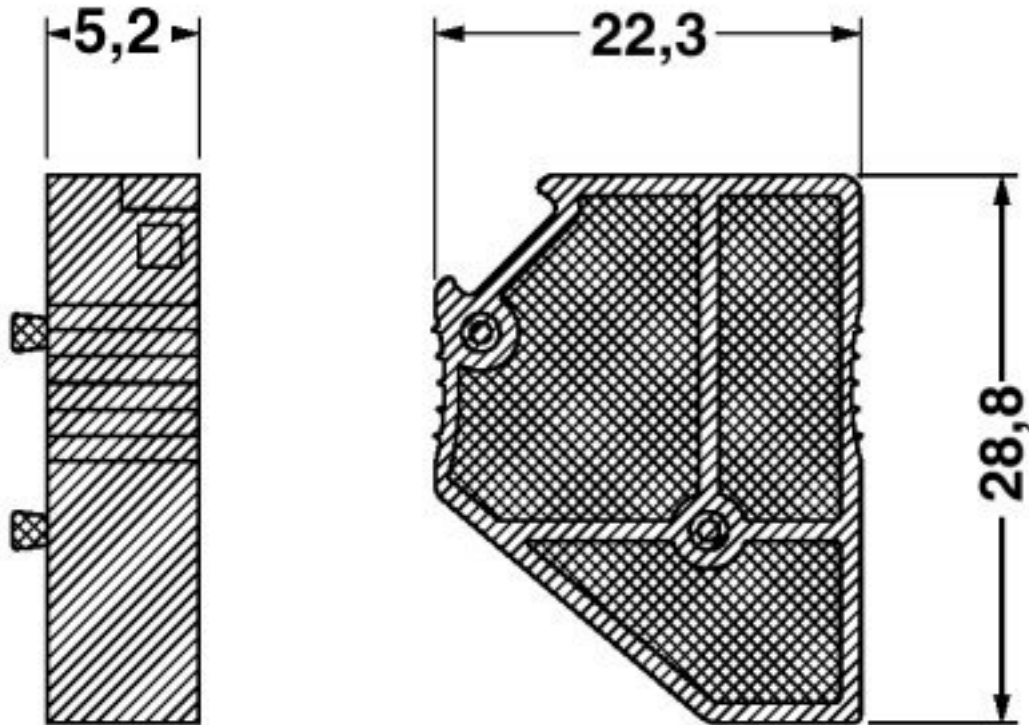
Approval details

GOST 
--

Drawings

Spacer plate - DP PS-5 - 3036725

Dimensioned drawing



© Phoenix Contact 2012 - all rights reserved
<http://www.phoenixcontact.com>

单击下面可查看定价，库存，交付和生命周期等信息

[>>Phoenix Contact\(菲尼克斯\)](#)