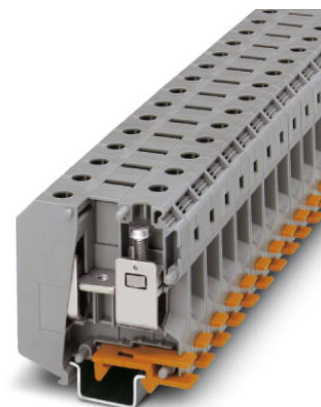


UKH 50

Order No.: 3009118



<http://eshop.phoenixcontact.de/phoenix/treeViewClick.do?UID=3009118>

Feed-through modular terminal block, Type of connection: Screw connection, Screw connection, Cross section: 16 mm² - 70 mm², AWG 6 - 2/0, Width: 20 mm, Color: gray, Mounting type: NS 35/15, NS 32



Commercial data	
EAN	4017918091644
Pack	10 pcs.
Customs tariff	85369010
Weight/Piece	0.12037 KG
Catalog page information	Page 30 (CL-2009)

Product notes

WEEE/RoHS-compliant since: 09/01/2005



<http://www.download.phoenixcontact.com>
Please note that the data given here has been taken from the online catalog. For comprehensive information and data, please refer to the user documentation. The General Terms and Conditions of Use apply to Internet downloads.

Technical data

General

Number of levels	1
Number of connections	2
Color	gray

Insulating material	PA
Inflammability class acc. to UL 94	V0

Dimensions

Width	20 mm
Length	70.5 mm
Height NS 35/15	83.5 mm
Height NS 32	81.5 mm

Technical data

Maximum load current	150 A (with 50 mm ² conductor cross section)
Rated surge voltage	8 kV
Pollution degree	3
Surge voltage category	III
Insulating material group	I
Connection in acc. with standard	IEC 60947-7-1
Nominal current I _N	150 A
Nominal voltage U _N	1000 V
Open side panel	nein

Connection data

Conductor cross section solid min.	16 mm ²
Conductor cross section solid max.	70 mm ²
Conductor cross section stranded min.	25 mm ²
Conductor cross section stranded max.	70 mm ²
Conductor cross section AWG/kcmil min.	6
Conductor cross section AWG/kcmil max	2/0
Conductor cross section stranded, with ferrule without plastic sleeve min.	25 mm ²
Conductor cross section stranded, with ferrule without plastic sleeve max.	50 mm ²
Conductor cross section stranded, with ferrule with plastic sleeve min.	25 mm ²
Conductor cross section stranded, with ferrule with plastic sleeve max.	50 mm ²
2 conductors with same cross section, solid min.	10 mm ²
2 conductors with same cross section, solid max.	16 mm ²
2 conductors with same cross section, stranded min.	10 mm ²

2 conductors with same cross section, stranded max.	16 mm ²
2 conductors with same cross section, stranded, ferrules without plastic sleeve, min.	10 mm ²
2 conductors with same cross section, stranded, ferrules without plastic sleeve, max.	16 mm ²
Type of connection	Screw connection
Stripping length	24 mm
Internal cylindrical gage	B10
Screw thread	M6
Tightening torque, min	6 Nm
Tightening torque max	8 Nm

Certificates / Approvals



Certification CSA, CUL, DNV, UL

Certification Ex: CUL-EX, UL-EX

CSA

Nominal voltage U_N	600 V
Nominal current I_N	150 A
AWG/kcmil	6-1/0

CUL

Nominal voltage U_N	600 V
Nominal current I_N	150 A
AWG/kcmil	6-1/0

UL

Nominal voltage U_N	600 V
Nominal current I_N	150 A
AWG/kcmil	6-1/0

Accessories		
Item	Designation	Description
Assembly		
3001763	AGK 10-UKH 50	Pick-off terminal block, Type of connection: Special and hybrid connection, Cross section: 0.5 mm ² - 16 mm ² , AWG 20 - 6, Width: 10.2 mm, Height: 34.7 mm, Color: gray
1201659	E/AL-NS 32	End bracket, for end support of UKH 50 - UKH 240, is pushed onto DIN rail NS 32 and fixed with 2 screws, width: 10 mm, color: Aluminum
1201662	E/AL-NS 35	End bracket, for end support of UKH 50 to UKH 240, is pushed onto DIN rail NS 35 and fixed with 2 screws, width: 10 mm, color: aluminum
1201028	NS 32 AL UNPERF 2000MM	G rail 32 mm (NS 32)
1201280	NS 32 CU/120QMM UNPERF 2000MM	G-profile DIN rail, deep-drawn, material: Copper, unperforated, height 15 mm, width 32 mm, length 2 m
1201358	NS 32 CU/35QMM UNPERF 2000MM	G-profile DIN rail, material: Copper, unperforated, height 15 mm, width 32 mm, length 2 m
1201002	NS 32 PERF 2000MM	G-profile DIN rail, material: Steel, perforated, height 15 mm, width 32 mm, length 2 m
1201015	NS 32 UNPERF 2000MM	G-profile DIN rail, material: Steel, unperforated, height 15 mm, width 32 mm, length 2 m
1201756	NS 35/15 AL UNPERF 2000MM	DIN rail, deep-drawn, high profile, unperforated, 1.5 mm thick, material: Aluminum, height 15 mm, width 35 mm, length 2 m
1201895	NS 35/15 CU UNPERF 2000MM	DIN rail, material: Copper, unperforated, 1.5 mm thick, height 15 mm, width 35 mm, length: 2 m
1201730	NS 35/15 PERF 2000MM	DIN rail, material: Steel, perforated, height 15 mm, width 35 mm, length: 2 m
1201714	NS 35/15 UNPERF 2000MM	DIN rail, material: Steel, unperforated, height 15 mm, width 35 mm, length: 2 m
1201798	NS 35/15-2,3 UNPERF 2000MM	DIN rail, material: Steel, unperforated, 2.3 mm thick, height 15 mm, width 35 mm, length: 2 m
Bridges		
0201346	FBI 2-20	Cross connector/bridge, Number of positions: 2, Color: silver
0201317	FBI 3-20	Cross connector/bridge, Number of positions: 3, Color: silver
Marking		
0811228	X-PEN 0,35	Marker pen without ink cartridge, for manual labeling of markers, labeling extremely wipe-proof, line thickness 0.35 mm
5060883	ZB10/WH-100:UNBEDRUCKT	Zack strip, unprinted: 10-section, for individual labeling with M-PEN, ZB-T or CMS system, large batch, sufficient for labeling 1000 terminal blocks, for a terminal width of 10.2 mm, color: White

1050525	ZB10:SO/CMS	Zack strip, 10-section, divisible, special printing, marking according to customer requirements
1050525	ZB10:SO/CMS	Zack strip, 10-section, divisible, special printing, marking according to customer requirements

Plug/Adapter

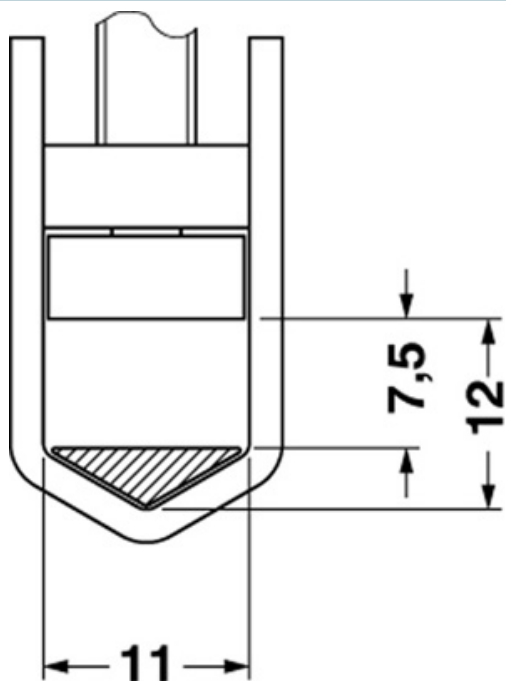
3009228	UKH 50 EP	Insertion profile, Color: silver
---------	-----------	----------------------------------

Tools

1205082	SZS 1,2X8,0	Screwdriver, bladed, matches all screw terminal blocks with 35 mm ² up to 70 mm ² connection cross section, blade width: 8.0 mm
---------	-------------	---

Diagrams/Drawings

Dimensioned drawing



Circuit diagram



Approbationslogos (EX-Bereich)



UKH 50 Order No.: 3009118

<http://eshop.phoenixcontact.de/phoenix/treeViewClick.do?UID=3009118>

Address

PHOENIX CONTACT Deutschland GmbH
Flachmarktstr. 8
32825 Blomberg, Germany
Phone +49 5235 3 12000
Fax +49 5235 3 41200
<http://www.phoenixcontact.de>



© 2010 Phoenix Contact
Technical modifications reserved;

单击下面可查看定价，库存，交付和生命周期等信息

[>>Phoenix Contact \(菲尼克斯\)](#)