

Lightning current measuring system - LM-S-LS-H - 2800616

Please be informed that the data shown in this PDF Document is generated from our Online Catalog. Please find the complete data in the user's documentation. Our General Terms of Use for Downloads are valid (<http://phoenixcontact.com/download>)



Sensor for live monitoring system for the continuous detection and evaluation of lightning strikes. Degree of protection IP67.

Product Features

- ✓ Optical lightning sensor for measuring current strength
- ✓ Rugged design
- ✓ Resistant to vibrations, temperature, and humidity
- ✓ Good UV resistance



Key commercial data

Packing unit	1 pc
Weight per Piece (excluding packing)	760.0 GRM
Custom tariff number	90303900
Country of origin	Germany

Technical data

Dimensions

Height	50 mm
Width	155 mm
Depth	290 mm

Ambient conditions

Degree of protection	IP67
Ambient temperature (operation)	-30 °C ... 60 °C
Ambient temperature (storage/transport)	-40 °C ... 85 °C
Permissible humidity (operation)	30 % ... 95 % (non-condensing)
Permissible humidity (storage/transport)	30 % ... 95 % (non-condensing)
Altitude	max. 4000 m

Lightning current measuring system - LM-S-LS-H - 2800616

Technical data

General

Housing material	XYRON 644Z
Ferrule material	Zirconia ceramics
Fiber type	Quartz fiber
Mounting type	On lightning arrester cables

Typical characteristics

Maximum current strength	± 500 A ... 250 kA
Interface	Fiber optic interface
Connection method	SCRJ socket with push/pull connector, IP67

Classifications

eCl@ss

eCl@ss 4.0	27210902
eCl@ss 4.1	27210902
eCl@ss 5.0	27210902
eCl@ss 5.1	27210902
eCl@ss 6.0	27210902
eCl@ss 7.0	27210902
eCl@ss 8.0	27210902

ETIM

ETIM 3.0	EC001505
ETIM 4.0	EC002027
ETIM 5.0	EC002027

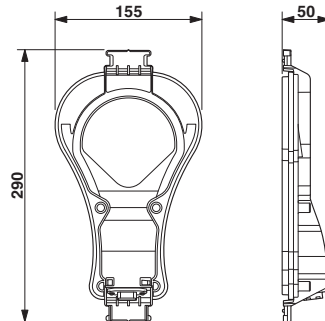
UNSPSC

UNSPSC 6.01	30211501
UNSPSC 7.0901	39121019
UNSPSC 11	39121006
UNSPSC 12.01	39121610
UNSPSC 13.2	39121006

Drawings

Lightning current measuring system - LM-S-LS-H - 2800616

Dimensioned drawing



Phoenix Contact 2014 © - all rights reserved
<http://www.phoenixcontact.com>

单击下面可查看定价，库存，交付和生命周期等信息

[>>Phoenix Contact \(菲尼克斯\)](#)