

- RC-1RS1NRAZ300 - 1603295

Please be informed that the data shown in this PDF Document is generated from our Online Catalog. Please find the complete data in the user's documentation. Our General Terms of Use for Downloads are valid (<http://phoenixcontact.com/download>)

Cable connector, with Pg13.5 connection thread, angled, shielded: No, Screw locking, M23, Number of positions: 16+2+PE, Type of contact: Socket, Crimp connection



Key commercial data

Packing unit	1 pc
Custom tariff number	85366990
Country of origin	Germany

Technical data

Product type	Circular connector (cable-side)
Coding	N
Type	Cable connector, with Pg13.5 connection thread
Number of positions	19
Thread	M23
Rated voltage (IEC)	150
Rated current (IEC)	10
Knurl material	Metal
Shielding	No
Signal type	Signal
Connection method	Crimp connection

Classifications

eCl@ss

eCl@ss 4.0	272607xx
eCl@ss 4.1	27260701
eCl@ss 5.0	27260701
eCl@ss 5.1	27260701
eCl@ss 6.0	27260708
eCl@ss 7.0	27440312
eCl@ss 8.0	27440102

- RC-1RS1NRAZ300 - 1603295

Classifications

ETIM

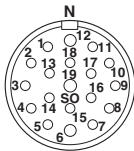
ETIM 3.0	EC001121
ETIM 4.0	EC001121
ETIM 5.0	EC001121

UNSPSC

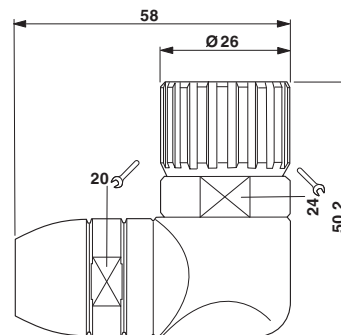
UNSPSC 6.01	43172015
UNSPSC 7.0901	43201404
UNSPSC 11	43172015
UNSPSC 12.01	43201404
UNSPSC 13.2	43201404

Drawings

Schematic diagram



Dimensioned drawing



单击下面可查看定价，库存，交付和生命周期等信息

[>>Phoenix Contact\(菲尼克斯\)](#)