

Antenna - RAD-ISM-900-ANT-YAGI-6.5-N - 2867814

Please be informed that the data shown in this PDF Document is generated from our Online Catalog. Please find the complete data in the user's documentation. Our General Terms of Use for Downloads are valid (<http://phoenixcontact.com/download>)

Directional antenna, 868 MHz / 900 MHz, gain: 8.5 dBi, polarization: linear, opening angle: h/v 100°/62°, degree of protection: IP65, connection: N (female), incl. mounting bracket and mast clips




Your advantages

- For large distances
- For point-to-point connections



Key Commercial Data

Packing unit	1 pc
GTIN	 4 017918 976699
GTIN	4017918976699

Technical data

Dimensions

Width	60.5 mm
Height	172 mm
Length	304.8 mm
Fixed cable length	0.60 m

Ambient conditions

Degree of protection	IP65
Ambient temperature (operation)	-40 °C ... 80 °C

General

With connecting cable	yes
Frequency range	868 MHz ... 960 MHz
Horizontal beamwidth	100 °
Vertical beamwidth	62 °
Polarization	Linear vertical or horizontal

Antenna - RAD-ISM-900-ANT-YAGI-6.5-N - 2867814

Technical data

General

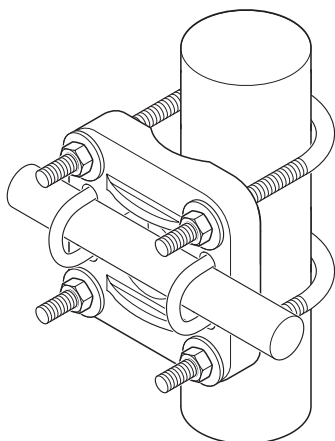
Impedance	50 Ω
Gain	8.5 dBi
Wind velocity	15.4321 km/h
Connection method	N (female) with cable (0.6 m)
Fixed cable length	0.60 m
Material	Aluminum (Antenna housing)
	V2A (Bracket)
	V2A (U-shaped screw)
Mounting type	Mast mounting
Outside diameter	32 mm ... 60 mm (Mast)

Environmental Product Compliance

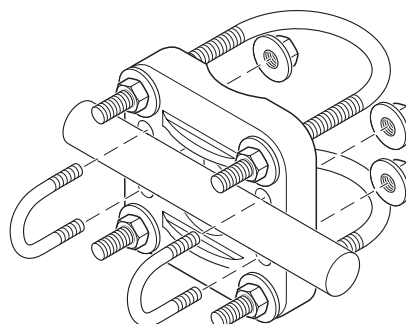
REACH SVHC	Lead 7439-92-1
China RoHS	Environmentally Friendly Use Period = 50 years
	For information on hazardous substances, refer to the manufacturer's declaration available under "Downloads"

Drawings

Schematic diagram



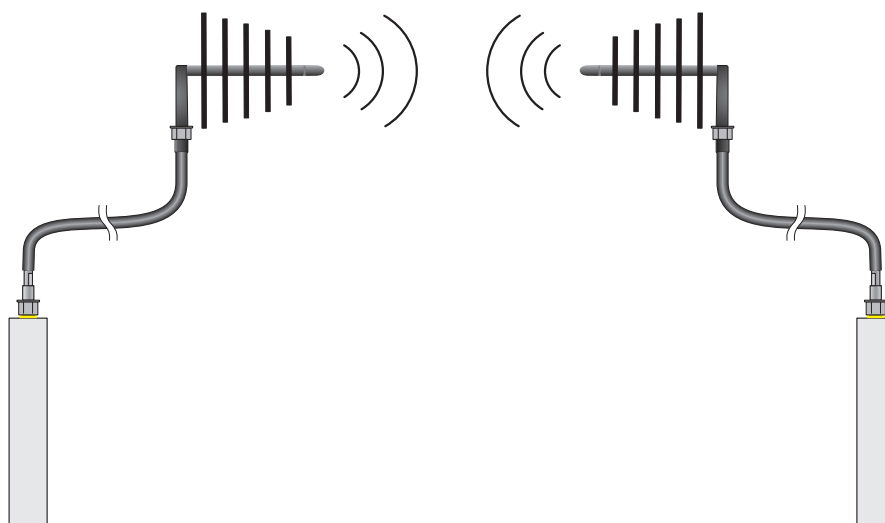
Schematic diagram



Mast mounting

Antenna - RAD-ISM-900-ANT-YAGI-6.5-N - 2867814

Schematic diagram



Classifications

eCl@ss

eCl@ss 10.0.1	19070105
eCl@ss 11.0	19070105
eCl@ss 4.0	27250300
eCl@ss 4.1	27250300
eCl@ss 5.0	19070100
eCl@ss 5.1	19070100
eCl@ss 6.0	19070100
eCl@ss 7.0	19070105
eCl@ss 9.0	19070105

ETIM

ETIM 2.0	EC000416
ETIM 3.0	EC001698
ETIM 4.0	EC001698
ETIM 6.0	EC001698
ETIM 7.0	EC001698

UNSPSC

UNSPSC 6.01	43171611
UNSPSC 7.0901	43221706
UNSPSC 11	43171611
UNSPSC 12.01	43221706
UNSPSC 13.2	43221715
UNSPSC 18.0	43221715
UNSPSC 19.0	43221715

Antenna - RAD-ISM-900-ANT-YAGI-6.5-N - 2867814

Classifications

UNSPSC

UNSPSC 20.0	43221715
UNSPSC 21.0	43223100

Phoenix Contact 2022 © - all rights reserved
<http://www.phoenixcontact.com>

PHOENIX CONTACT GmbH & Co. KG
Flachsmarktstr. 8
32825 Blomberg
Germany
Tel. +49 5235 300
Fax +49 5235 3 41200
<http://www.phoenixcontact.com>

单击下面可查看定价，库存，交付和生命周期等信息

[>>Phoenix Contact\(菲尼克斯\)](#)