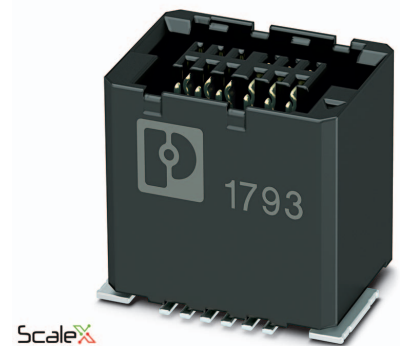


Order No.: 1061580

Type: FP 0,8/ 12-FV 7,85

SMD female connector, Reflow soldering



The figure shows a 12-pos. version with 12 contacts

## 1 Main features



- |                |          |                        |                 |
|----------------|----------|------------------------|-----------------|
| • No. of pos.  | 12       | • Nominal current      | 1.7 A           |
| • Test voltage | 500 V AC | • Mounting type        | SMD soldering   |
| • Color        |          | • Connection direction | 90 °            |
| • Pitch        | 0.8 mm   | • Type of packaging    | 16 mm wide tape |

## 2 Your advantages

- ✓ Gold-plated contacts ensure transfer quality remains stable over the long term
- ✓ Reliable mechanical and electrical connections, thanks to the double-sided ScaleX contact system
- ✓ Robustness: ScaleX technology for high tolerance compensation and protection of contacts
- ✓ Flexible device design: various numbers of positions, designs, and stack heights with high wipe lengths



Make sure you always use the latest documentation.  
It can be downloaded at: [phoenixcontact.net/product/1061580](https://phoenixcontact.net/product/1061580)

**1061580 FP 0,8/ 12-FV 7,85****3 Table of contents**

1	Main features.....	1
2	Your advantages .....	1
3	Table of contents .....	2
4	3D model in PDF can be activated (Acrobat Reader only).....	3
5	General Technical Data .....	4
	5.1 item properties .....	4
	5.2 Material data .....	4
6	Dimensions.....	5
	6.1 Dimensions for the product .....	5
	6.2 Dimensions for the application .....	5
7	Series drawing.....	6
8	Packaging information .....	7
9	Blister drawing.....	8
10	Application.....	9
	10.1 Temperature limit values .....	9
11	General tests .....	10
	11.1 Specification.....	10
12	Mechanical tests.....	11
	12.1 Insertion and withdrawal force per contact .....	11
	12.2 Service life .....	11
13	Electrical tests .....	12
	13.1 Electrical data .....	12
	13.2 Air and creepage distances .....	12
14	Current carrying capacity/derating curves .....	13
	14.1 Insulation resistance.....	13
	14.2 forward resistance .....	13
	14.3 Vibration test .....	13
	14.4 Shock test.....	13
15	Approvals .....	13
16	Commercial Data.....	14
17	Combination tests.....	15

1061580 FP 0,8/ 12-FV 7,85

4 3D model in PDF can be activated (Acrobat Reader only)



**1061580 FP 0,8/ 12-FV 7,85****5 General Technical Data****5.1 item properties**

Order No.	1061580
Type	FP 0,8/ 12-FV 7,85
Plug-in system	FINEPITCH 0,8 mm
Product type	SMD female connector
Type of contact	Female connector
Range of articles	FP 0,8/...-FV 7,85
Pitch	0.8 mm
Range of positions	12...80
Number of positions	12
Number of levels	2
Number of potentials	12
Mounting type	SMD soldering
Connection direction of the connector to the PCB	90 °

**5.2 Material data**

<b>Material of metal parts</b>	
Note	WEEE/RoHS-compliant, whisker-free acc. to IEC 60068-2-82/JEDEC JESD 201
Contact material	Cu alloy
Surface contact area	Nickel (Ni), , Gold (Au)
Soldering area surface	Nickel (Ni) , Tin (Sn)
Surface characteristics	Selective coating
<b>Insulating material data</b>	
Insulating material	LCP
Insulating material group	IIIa
CTI according to IEC 60112	150
Flammability rating according to UL 94	V0
Color	

**1061580 FP 0,8/ 12-FV 7,85****6 Dimensions****6.1 Dimensions for the product**

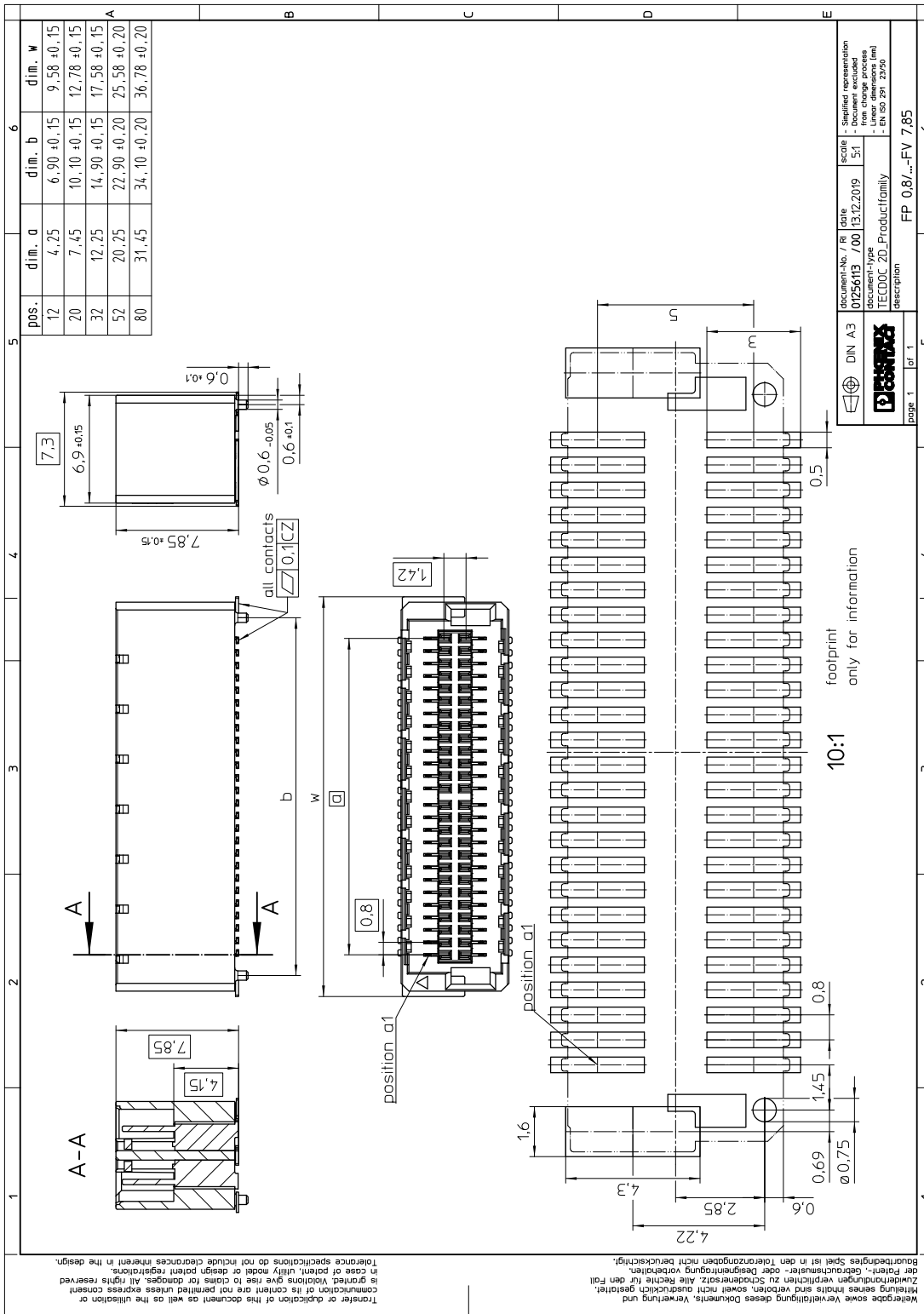
Length	6.9 mm
Width	9.58 mm
Total height	8.45 mm
Height	7.85 mm
Positioning pin geometry	, Length of positioning pin: 0.6 mm
Coplanarity	≤ 0.1 mm

**6.2 Dimensions for the application**

Contact cover	0.8 mm
Overlap length	1.5 mm
Medium offset	± 0.7 mm in longitudinal and transverse direction
Angular tolerance	± 2 ° in longitudinal direction
Angular tolerance	± 4 ° in transverse direction
Stacking height	9 mm Tolerance: +1,5 mm (in combination with Range of articles:FP 0,8/...-MV 1,15)
Stacking height	10,5 mm Tolerance: +1,5 mm (in combination with Range of articles:FP 0,8/...-MV 2,65)

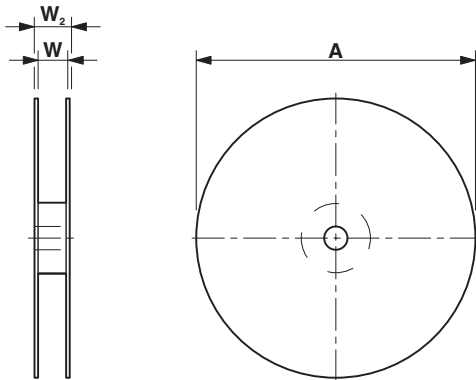
1061580 FP 0,8/ 12-FV 7,85

7 Series drawing



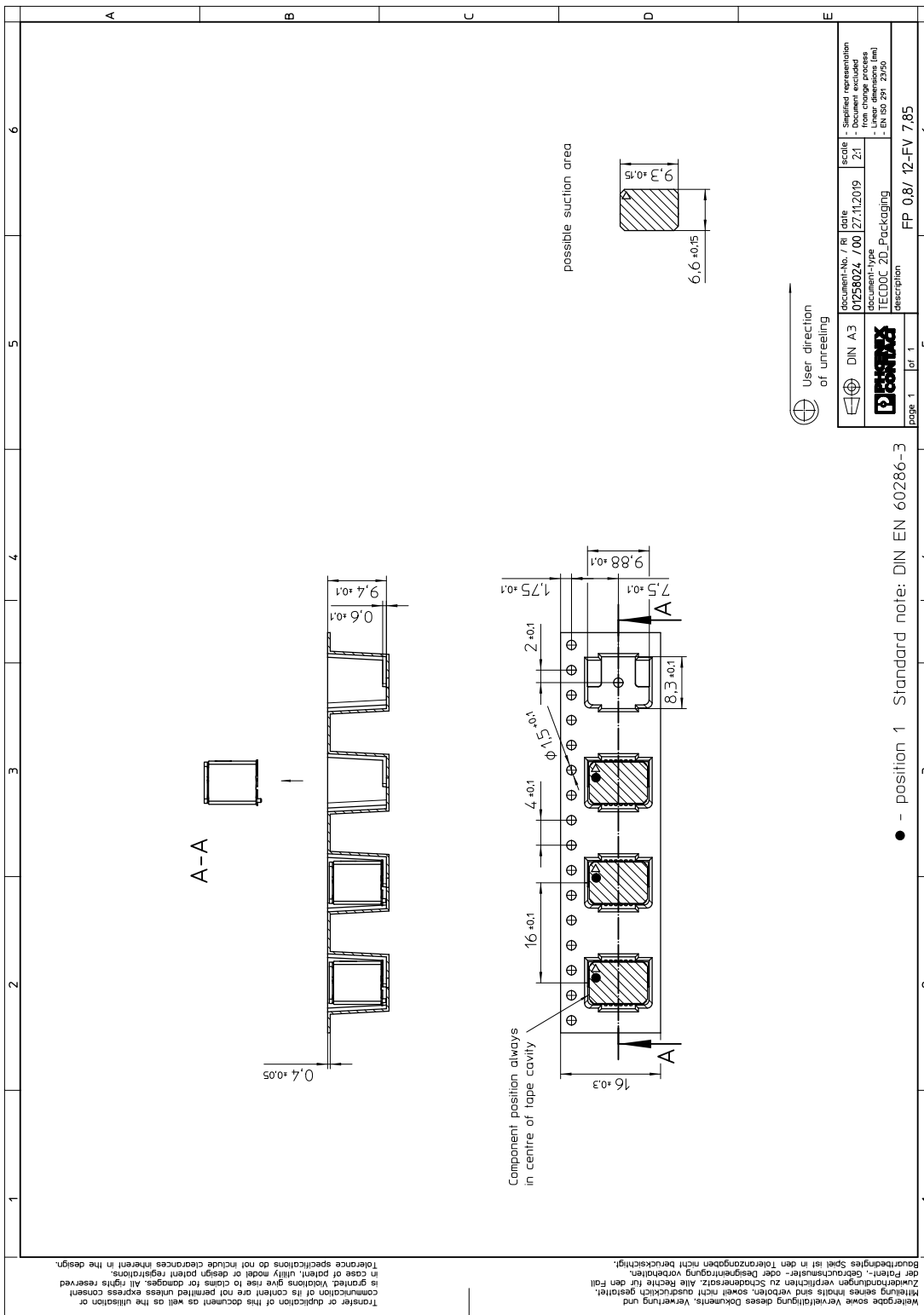
**1061580 FP 0,8/ 12-FV 7,85****8 Packaging information**

Type of packaging	16 mm wide tape
Pieces per package	250
Outer packaging type	Transparent-Bag
ESD level	(D) electrostatically conductive
Specification	DIN EN 61340-5-1 (VDE 0300-5-1): 2008-07
[W] tape width	16 mm
[A] coil diameter	330 mm
[W2] coil overall dimension	22.4 mm
Number of products per coil	250



1061580 FP 0,8/ 12-FV 7,85

9 Blister drawing





## 10 Application

### 10.1 Temperature limit values

Ambient temperature (storage/transport)	-40 °C ... 70 °C
Ambient temperature (assembly)	-5 °C ... 100 °C
Ambient temperature (operation)	-55 °C ... 125 °C

**1061580 FP 0,8/ 12-FV 7,85**

---

**11 General tests**

**11.1 Specification**



Brief description

Board-to-board connectors

**1061580 FP 0,8/ 12-FV 7,85****12 Mechanical tests****12.1 Insertion and withdrawal force per contact**

Insertion and withdrawal force per contact  $\leq 0.6$  N

**12.2 Service life**

Specification IEC 60512-9-1:2010-03 (following)

Service life 500 Insertion/withdrawal cycles, Performance level 1

**1061580 FP 0,8/ 12-FV 7,85****13 Electrical tests****13.1 Electrical data**

Nominal current at 20 °C	1.7 A (52-pos.)
Test voltage	500 V AC IEC 60512-4-1:2003

**13.2 Air and creepage distances**

Minimum value for clearance and creepage distance	0.25 mm
---	---------

**1061580 FP 0,8/ 12-FV 7,85****14 Current carrying capacity/derating curves****14.1 Insulation resistance**

Insulation resistance	≥ 5 GΩ, (IEC 60512-3-1:2002-02)
-----------------------	---------------------------------

**14.2 forward resistance**

Contact resistance	≤20 mΩ, (IEC 60512-2-1:2002-02)
--------------------	---------------------------------

**14.3 Vibration test**

Specification	IEC 60068-2-6:2007-12
Result	Test passed
Frequency	10 - 2000 - 10 Hz
Sweep speed	1 octave/min
Amplitude	1.5 mm (10 - 60.1 Hz)
Acceleration	200 m/s <sup>2</sup> (58 - 2000 Hz)
Test duration per axis	2.5 h
Test directions	X-, Y- and Z-axis
Note	

**14.4 Shock test**

Specification	IEC 60068-2-27:2008-02
Result	Test passed
Pulse shape	Semi-sinusoidal
Peak acceleration	490 m/s <sup>2</sup>
Shock duration	11 ms
Number of shocks per direction	3
Test directions	X-, Y- and Z-axis (pos. and neg.)

**15 Approvals**

**1061580 FP 0,8/ 12-FV 7,85****16 Commercial Data**

Order No.	1061580
Type	FP 0,8/ 12-FV 7,85
Pieces per package	250
Net weight	2.8 g
GTIN	4055626716039
	Information that applies locally, see link on page 1
Country of origin	Information that applies locally, see link on page 1

1061580 FP 0,8/ 12-FV 7,85

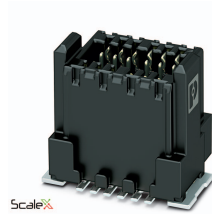
17 Combination tests



FP 0,8/...-FV 7,85



FP 0,8/...-MV 1,15



FP 0,8/...-MV 2,65

Test Category	FP 0,8/...-FV 7,85	FP 0,8/...-MV 1,15	FP 0,8/...-MV 2,65		
Mechanical tests					
Durability tests					
Contact resistance $R_1$		20 mΩ	20 mΩ		
Insertion/withdrawal cycles		500	500		
Contact resistance $R_2$		20 mΩ	20 mΩ		
Thermal tests					

单击下面可查看定价，库存，交付和生命周期等信息

[>>Phoenix Contact\(菲尼克斯\)](#)