

Plug - GIC 2,5 HCV/ 2-ST-7,62

1745629

<https://www.phoenixcontact.com/in/products/1745629>



Please be informed that the data shown in this PDF document is generated from our Online Catalog. Please find the complete data in the user documentation. Our General Terms of Use for Downloads are valid.



PCB connector, nominal cross section: 2.5 mm², color: green, nominal current: 16 A, rated voltage (III/2): 1000 V, contact surface: Tin, type of contact: Male connector, number of potentials: 2, number of rows: 1, number of positions: 2, number of connections: 2, product range: GIC 2,5 HCV/...-ST, pitch: 7.62 mm, connection method: Screw connection with tension sleeve, screw head form: L Slotted, conductor/PCB connection direction: 0 °, locking clip: - without locking clip, plug-in system: POWER COMBICON 2,5, Locking: without, mounting: without, type of packaging: packed in cardboard

Your advantages

- Well-known connection principle allows worldwide use
- Low temperature rise, thanks to maximum contact force
- Allows connection of two conductors
- Inverted connector with pin contacts for touch-proof device outputs or free-hanging cable/cable connections

Plug - GIC 2,5 HCV/ 2-ST-7,62

1745629

<https://www.phoenixcontact.com/in/products/1745629>



Commercial Data

Order Key	1745629
Packing unit	50 pc
Minimum order quantity	50 pc
Sales Key	AAB
Product Key	AACAED
Catalog Page	Page 503 (C-1-2013)
GTIN	4046356309776
Weight per Piece (including packing)	4.592 g
Weight per Piece (excluding packing)	4.45 g
Customs tariff number	85366990
Country of origin	SK

Plug - GIC 2,5 HCV/ 2-ST-7,62



1745629

<https://www.phoenixcontact.com/in/products/1745629>

Technical Data

Product properties

Type	Standard
Number of positions	2
Number of connections	2
Number of rows	1
Connector system	POWER COMBICON 2,5
Mounting flange	without
Number of potentials	2

Electrical properties

Maximum load current	16 A
Rated voltage (II/2)	1000 V
Rated voltage (III/2)	1000 V
Rated surge voltage (II/2)	8 kV
Rated surge voltage (III/2)	8 kV
Rated surge voltage (III/3)	8 kV
Nominal voltage U_N	1000 V
Nominal current I_N	16 A
Nominal current I_N	16 A

Connection data

Connection technology

Type	Standard
Connector system	POWER COMBICON 2,5
Nominal cross section	2.5 mm ²
Type of contact	Male connector

Interlock

Locking type	without
Mounting flange	without

Conductor connection

Connection method	Screw connection with tension sleeve
Conductor cross section solid	0.2 mm ² ... 2.5 mm ²
Conductor cross section flexible	0.2 mm ² ... 2.5 mm ²
Conductor cross section AWG	24 ... 12
Conductor cross section flexible, with ferrule without plastic sleeve	0.25 mm ² ... 2.5 mm ²
Conductor cross section, flexible, with ferrule, with plastic sleeve	0.25 mm ² ... 2.5 mm ²
2 conductors with same cross section, solid	0.2 mm ² ... 1 mm ²
2 conductors with same cross section, flexible	0.2 mm ² ... 1.5 mm ²
2 conductors with same cross section, flexible, with ferrule	0.25 mm ² ... 1 mm ²

Plug - GIC 2,5 HCV/ 2-ST-7,62

1745629

<https://www.phoenixcontact.com/in/products/1745629>

without plastic sleeve	
2 conductors with the same cross section, flexible, with TWIN ferrule with plastic sleeve	0.5 mm ² ... 1 mm ²
Cylindrical gauge a x b / diameter	2.8 mm x 2.0 mm / 2.4 mm
Stripping length	8 mm
Torque	0.5 Nm ... 0.6 Nm

Material specifications

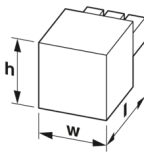
Material data - contact

Note	WEEE/RoHS-compliant, free of whiskers according to IEC 60068-2-82/JEDEC JESD 201
Contact material	Cu alloy
Surface characteristics	Tin-plated
Metal surface terminal point (top layer)	Tin (5 - 7 µm Sn)
Metal surface terminal point (middle layer)	Nickel (2 - 3 µm Ni)
Metal surface contact area (top layer)	Tin (5 - 7 µm Sn)
Metal surface contact area (middle layer)	Nickel (2 - 3 µm Ni)

Material data - housing

Housing color	green (6021)
Insulating material	PA
Insulating material group	I
CTI according to IEC 60112	600
Flammability rating according to UL 94	V0
Glow wire flammability index GWFI according to EN 60695-2-12	850
Glow wire ignition temperature GWIT according to EN 60695-2-13	775
Temperature for the ball pressure test according to EN 60695-10-2	125 °C

Dimensions

Dimensional drawing	
Width	15.02 mm
Height	17.5 mm
Installed height	17.5 mm
Length	22.8 mm
Pitch	7.62 mm

Mounting

Drive form screw head	Slotted (L)
-----------------------	-------------

Plug - GIC 2,5 HCV/ 2-ST-7,62



1745629

<https://www.phoenixcontact.com/in/products/1745629>

Mechanical tests

Test for conductor damage and slackening

Specification	IEC 60999-1:1999-11
Result	Test passed

Pull-out test

Specification	IEC 60999-1:1999-11
Conductor cross section/conductor type/tractive force setpoint/actual value	0.2 mm ² / solid / > 10 N
	0.2 mm ² / flexible / > 10 N
	2.5 mm ² / solid / > 50 N
	2.5 mm ² / flexible / > 50 N

Insertion and withdrawal forces

Result	Test passed
No. of cycles	50
Insertion strength per pos. approx.	6 N
Withdraw strength per pos. approx.	6 N

Torque test

Specification	IEC 60999-1:1999-11
---------------	---------------------

Contact holder in insert

Specification	IEC 60512-15-1:2008-05
Result	Test passed
Test force per pos.	24 N

Resistance of inscriptions

Specification	IEC 60068-2-70:1995-12
Result	Test passed

Polarization and coding

Specification	IEC 60512-13-5:2006-02
Result	Test passed

Visual inspection

Specification	IEC 60512-1-1:2002-02
Result	Test passed

Dimension check

Specification	IEC 60512-1-2:2002-02
Result	Test passed

Environmental and real-life conditions

Vibration test

Specification	IEC 60068-2-6:2007-12
Frequency	10 - 150 - 10 Hz

Plug - GIC 2,5 HCV/ 2-ST-7,62



1745629

<https://www.phoenixcontact.com/in/products/1745629>

Sweep speed	1 octave/min
Amplitude	0.35 mm (10 - 60.1 Hz)
Sweep speed	5g (60.1 - 150 Hz)
Test duration per axis	2.5 h

Durability test

Specification	IEC 60512-9-1:2010-03
Impulse withstand voltage at sea level	7.3 kV
Contact resistance R ₁	1.3 mΩ
Contact resistance R ₂	1.4 mΩ
Insertion/withdrawal cycles	50
Insulation resistance, neighboring positions	> 5 MΩ

Climatic test

Specification	ISO 6988:1985-02
Corrosive stress	0.2 dm ³ SO ₂ on 300 dm ³ /40 °C/1 cycle
Thermal stress	105 °C/168 h
Power-frequency withstand voltage	3.31 kV

Ambient conditions

Ambient temperature (operation)	-40 °C ... 105 °C (dependent on the derating curve)
Ambient temperature (storage/transport)	-40 °C ... 70 °C
Relative humidity (storage/transport)	30 % ... 70 %
Ambient temperature (assembly)	-5 °C ... 100 °C

Electrical tests

Electrical properties

Rated voltage (III/2)	1000 V
Rated surge voltage (III/2)	8 kV
Contact resistance	1.3 mΩ
Pollution degree	2

Thermal test | Test group C

Specification	IEC 60512-5-1:2002-02
Tested number of positions	12

Insulation resistance

Specification	IEC 60512-3-1:2002-02
Insulation resistance, neighboring positions	> 5 MΩ

Air clearances and creepage distances |

Specification	IEC 60664-1:2007-04
Insulating material group	I
Comparative tracking index (IEC 60112:2003-01)	CTI 600
Rated insulation voltage (III/3)	1000 V
Rated surge voltage (III/3)	8 kV

Plug - GIC 2,5 HCV/ 2-ST-7,62



1745629

<https://www.phoenixcontact.com/in/products/1745629>

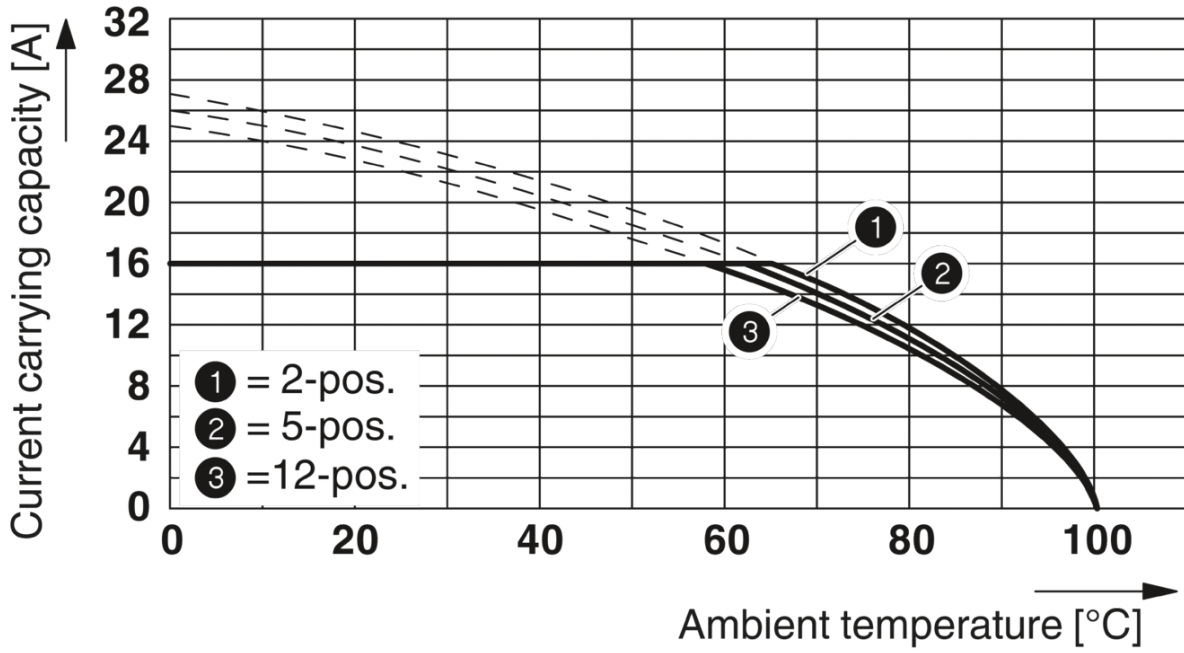
minimum clearance value - non-homogenous field (III/3)	8 mm
minimum creepage distance (III/3)	12.5 mm
Rated insulation voltage (III/2)	1000 V
Rated surge voltage (III/2)	8 kV
minimum clearance value - non-homogenous field (III/2)	8 mm
minimum creepage distance (III/2)	8 mm
Rated insulation voltage (II/2)	1000 V
Rated surge voltage (II/2)	6 kV
minimum clearance value - non-homogenous field (II/2)	5.5 mm
minimum creepage distance (II/2)	5.5 mm

Packaging specifications

Type of packaging	packed in cardboard
-------------------	---------------------

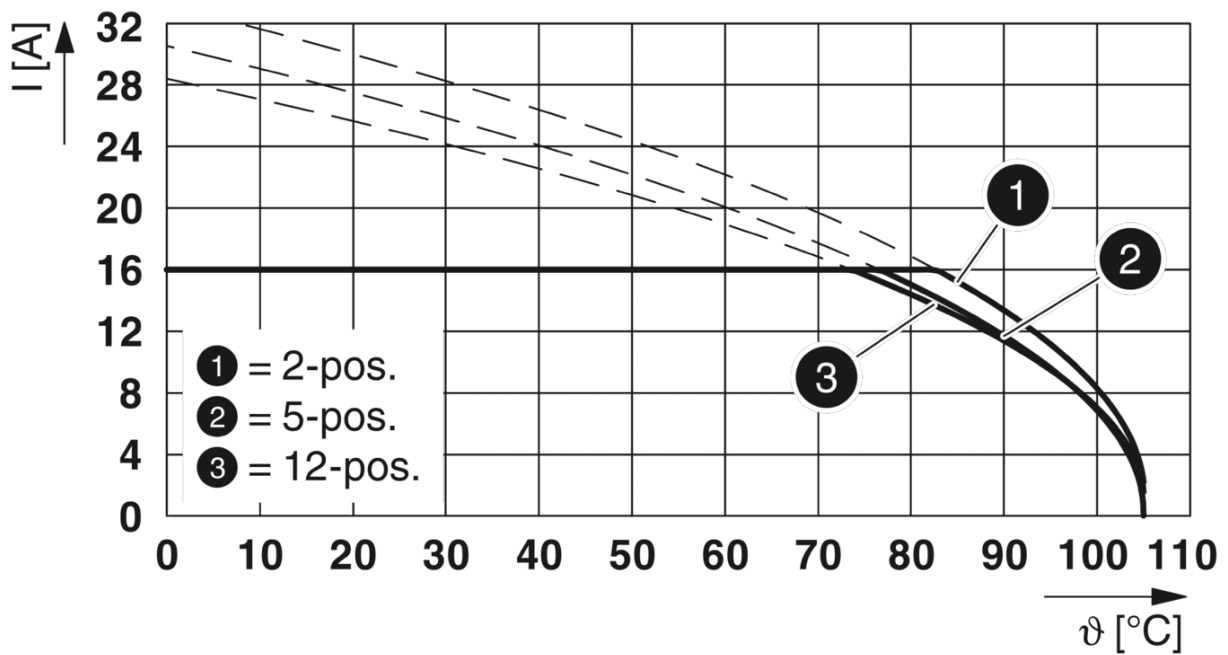
Drawings

Diagram



Derating curve for: GIC 2,5 HCV/...-ST-7,62 with GIC 2,5 HC/...-G-7,62

Diagram



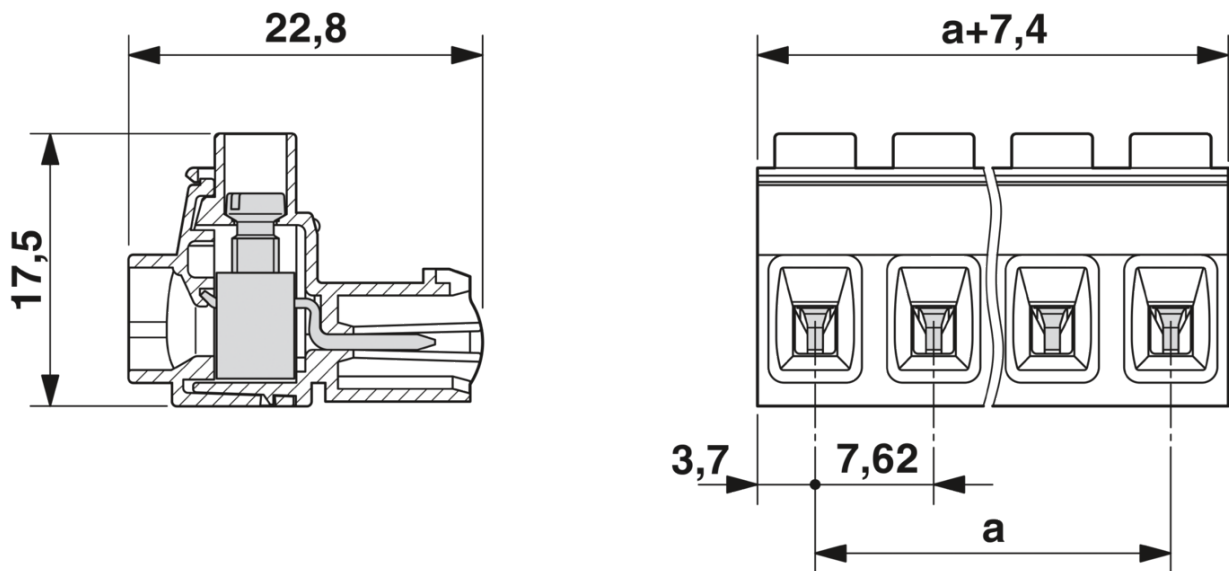
Plug - GIC 2,5 HCV/ 2-ST-7,62

1745629

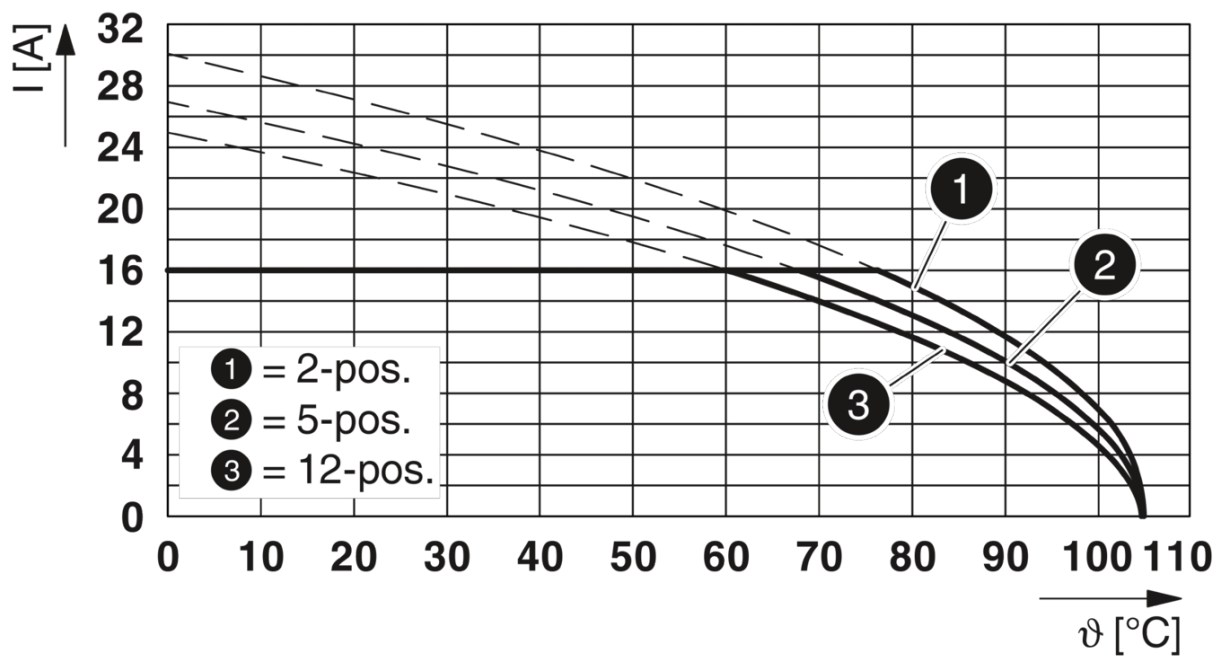
<https://www.phoenixcontact.com/in/products/1745629>



Dimensional drawing



Diagram



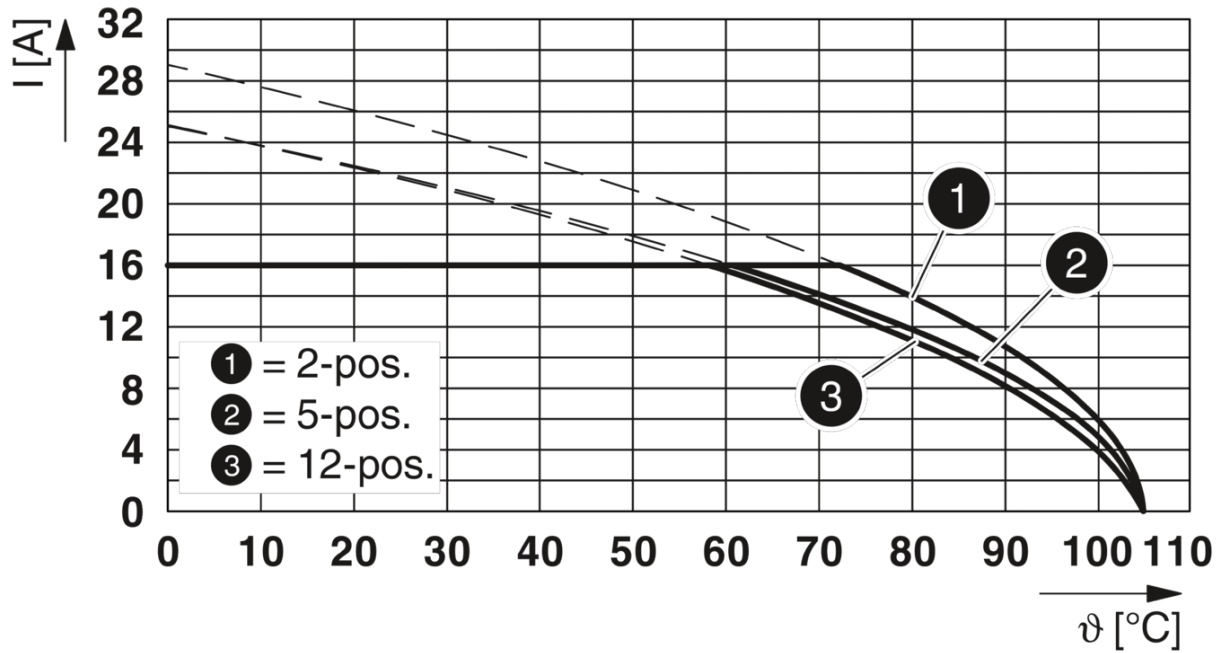
Plug - GIC 2,5 HCV/ 2-ST-7,62

1745629

<https://www.phoenixcontact.com/in/products/1745629>



Diagram



Plug - GIC 2,5 HCV/ 2-ST-7,62



1745629

<https://www.phoenixcontact.com/in/products/1745629>

Approvals

EAC

cULus Recognized 	Nominal Voltage U_N	Nominal Current I_N	Cross Section AWG	Cross Section mm^2
Use group B				
	600 V	16 A	30 - 12	-
Multi-conductor connection	600 V	16 A	24 - 16	-
Use group C				
	600 V	16 A	30 - 12	-
Multi-conductor connection	600 V	16 A	24 - 16	-

Plug - GIC 2,5 HCV/ 2-ST-7,62



1745629

<https://www.phoenixcontact.com/in/products/1745629>

Classifications

ECLASS

ECLASS-9.0	27440309
ECLASS-10.0.1	27440309
ECLASS-11.0	27460202

ETIM

ETIM 6.0	EC002638
----------	----------

UNSPSC

UNSPSC 19.0	39121409
UNSPSC 20.0	39121409
UNSPSC 21.0	39121409

Plug - GIC 2,5 HCV/ 2-ST-7,62

1745629

<https://www.phoenixcontact.com/in/products/1745629>



Environmental Product Compliance

REACH SVHC	Lead 7439-92-1
China RoHS	Environmentally Friendly Use Period = 50 years For details about hazardous substances go to tab "Downloads", Category "Manufacturer's declaration"

Plug - GIC 2,5 HCV/ 2-ST-7,62

1745629

<https://www.phoenixcontact.com/in/products/1745629>

Accessories

Printed-circuit board connector

Printed-circuit board connector - GMSTB 2,5 HCV/ 2-ST-7,62 - 1714278



PCB connector, nominal cross section: 2.5 mm², color: green, nominal current: 16 A, rated voltage (III/2): 1000 V, contact surface: Tin, type of contact: Female connector, number of potentials: 2, number of rows: 1, number of positions: 2, number of connections: 2, product range: GMSTB 2,5 HCV/...-ST, pitch: 7.62 mm, connection method: Screw connection with tension sleeve, screw head form: L Slotted, conductor/PCB connection direction: 0 °, locking clip: - Locking clip, plug-in system: POWER COMBICON 2,5, Locking: without, mounting: without, type of packaging: packed in cardboard

Printed-circuit board connector

Printed-circuit board connector - GIC 2,5 HC/ 2-G-7,62 - 1745784



PCB headers, nominal cross section: 2.5 mm², color: green, nominal current: 16 A, rated voltage (III/2): 630 V, contact surface: Tin, type of contact: Female connector, number of potentials: 2, number of rows: 1, number of positions: 2, number of connections: 2, product range: GIC 2,5 HC/...-G, pitch: 7.62 mm, mounting: Wave soldering, pin layout: Linear pinning, solder pin [P]: 3.5 mm, number of solder pins per potential: 2, plug-in system: POWER COMBICON 2,5, Pin connector pattern alignment: Standard, Locking: without, mounting: without, type of packaging: packed in cardboard

Plug - GIC 2,5 HCV/ 2-ST-7,62

1745629

<https://www.phoenixcontact.com/in/products/1745629>



Printed-circuit board connector

Printed-circuit board connector - GICV 2,5 HC/ 2-G-7,62 - 1756485



PCB headers, nominal cross section: 2.5 mm², color: green, nominal current: 16 A, rated voltage (III/2): 630 V, contact surface: Tin, type of contact: Female connector, number of potentials: 2, number of rows: 1, number of positions: 2, number of connections: 2, product range: GICV 2,5 HC/...-G, pitch: 7.62 mm, mounting: Wave soldering, pin layout: Linear pinning, solder pin [P]: 3.6 mm, number of solder pins per potential: 2, plug-in system: POWER COMBICON 2,5, Pin connector pattern alignment: Standard, Locking: without, mounting: without, type of packaging: packed in cardboard

Phoenix Contact 2022 © - all rights reserved
<https://www.phoenixcontact.com>

PHOENIX CONTACT (I) Pvt. Ltd.
A-58/2, Okhla Industrial Area, Phase - II, New Delhi-110 020

+91.1275.71420
info@phoenixcontact.co.in

单击下面可查看定价，库存，交付和生命周期等信息

[>>Phoenix Contact \(菲尼克斯\)](#)