

PCB terminal block - PTSM 0,5/ 8-2,5-H SMD R44



1771088

<https://www.phoenixcontact.com/in/products/1771088>

Please be informed that the data shown in this PDF document is generated from our Online Catalog. Please find the complete data in the user documentation. Our General Terms of Use for Downloads are valid.



PCB terminal block, nominal current: 6 A, rated voltage (III/2): 160 V, nominal cross section: 0.5 mm², number of potentials: 8, number of rows: 1, number of positions per row: 8, product range: PTSM 0,5/..-H-SMD, pitch: 2.5 mm, connection method: Push-in spring connection, mounting: SMD soldering, conductor/PCB connection direction: 0 °, color: black, Pin layout: Linear pad geometry, number of solder pins per potential: 1, type of packaging: 44 mm wide tape

Your advantages

- Time saving push-in connection, tools not required
- Defined contact force ensures that contact remains stable over the long term
- High current carrying capacity of 6 A in very compact dimensions
- Designed for integration into the SMT soldering process
- Additional solder anchors reduce the mechanical strain on the soldering spots

PCB terminal block - PTSM 0,5/ 8-2,5-H SMD R44



1771088

<https://www.phoenixcontact.com/in/products/1771088>

Commercial Data

| | |
|--------------------------------------|--------------------|
| Order Key | 1771088 |
| Packing unit | 770 pc |
| Minimum order quantity | 770 pc |
| Sales Key | AAC |
| Product Key | AAKDAA |
| Catalog Page | Page 53 (C-1-2013) |
| GTIN | 4046356459730 |
| Weight per Piece (including packing) | 2.5 g |
| Weight per Piece (excluding packing) | 2.43 g |
| Customs tariff number | 85369010 |
| Country of origin | IN |

1771088

<https://www.phoenixcontact.com/in/products/1771088>

Technical Data

Product properties

| | |
|-----------------------|---------------------|
| Number of positions | 8 |
| Number of connections | 8 |
| Number of rows | 1 |
| Number of potentials | 8 |
| Pin layout | Linear pad geometry |

Electrical properties

| | |
|-----------------------------|--------|
| Maximum load current | 6 A |
| Rated voltage (II/2) | 160 V |
| Rated voltage (III/2) | 160 V |
| Rated surge voltage (II/2) | 2.5 kV |
| Rated surge voltage (III/2) | 2.5 kV |
| Rated surge voltage (III/3) | 2.5 kV |
| Nominal voltage U_N | 32 V |
| Nominal current I_N | 6 A |
| Nominal current I_N | 6 A |

Connection data

Connection technology

| | |
|-----------------------|---------------------|
| Nominal cross section | 0.5 mm ² |
|-----------------------|---------------------|

Conductor connection

| | |
|---|---|
| Connection method | Push-in spring connection |
| Conductor cross section solid | 0.14 mm ² ... 0.5 mm ² |
| Conductor cross section flexible | 0.2 mm ² ... 0.5 mm ² (up to 0.75 mm ² supported, with a stripping length of 7.5 mm and a rated insulation voltage of 32 V at III/2) |
| Conductor cross section AWG | 26 ... 20 |
| Conductor cross section flexible, with ferrule without plastic sleeve | 0.25 mm ² ... 0.5 mm ² |
| Conductor cross section, flexible, with ferrule, with plastic sleeve | 0.25 mm ² ... 0.34 mm ² |
| Cylindrical gauge a x b / diameter | - / 1.2 mm |
| Stripping length | 6 mm |

Mounting

Processing notes

| | |
|----------------------------------|------------------|
| Process | Reflow soldering |
| Moisture Sensitive Level | MSL 1 |
| Classification temperature T_c | 260 °C |
| Solder cycles in the reflow | 3 |

Material specifications

PCB terminal block - PTSM 0,5/ 8-2,5-H SMD R44



1771088

<https://www.phoenixcontact.com/in/products/1771088>

Material data - contact

| | |
|--|--|
| Note | WEEE/RoHS-compliant, free of whiskers according to IEC 60068-2-82/JEDEC JESD 201 |
| Contact material | Cu alloy |
| Surface characteristics | hot-dip tin-plated |
| Metal surface terminal point (top layer) | Tin (4 - 8 µm Sn) |
| Metal surface soldering area (top layer) | Tin (4 - 8 µm Sn) |

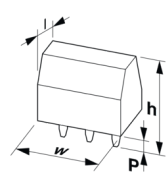
Material data - housing

| | |
|--|--------------|
| Housing color | black (9005) |
| Insulating material | LCP |
| Insulating material group | IIIa |
| CTI according to IEC 60112 | 175 |
| Flammability rating according to UL 94 | V0 |

Material data – actuating element

| | |
|------------------------------|--------------|
| Color of the actuating lever | black (9005) |
|------------------------------|--------------|

Dimensions

| | |
|---------------------|--|
| Dimensional drawing |  |
| Width | 22.6 mm |
| Height | 5.12 mm |
| Installed height | 5.12 mm |
| Length | 9 mm |
| Pitch | 2.5 mm |

PCB design

| | |
|--------------|--------------|
| Pad geometry | 1.4 x 3.4 mm |
|--------------|--------------|

Mechanical tests

Connection test

| | |
|---------------|-----------------------|
| Specification | IEC 60998-2-2:2002-12 |
| Result | Test passed |

Test for conductor damage and slackening

| | |
|---------------|-----------------------|
| Specification | IEC 60998-2-2:2002-12 |
| Result | Test passed |

Pull-out test

| | |
|---------------|---------------------------------------|
| Specification | IEC 60998-2-2:2002-12 |
| | 0.14 mm ² / solid / > 10 N |

PCB terminal block - PTSM 0,5/ 8-2,5-H SMD R44



1771088

<https://www.phoenixcontact.com/in/products/1771088>

| | |
|---|--|
| Conductor cross section/conductor type/tractive force setpoint/actual value | 0.2 mm ² / flexible / > 10 N |
| | 0.5 mm ² / solid / > 20 N |
| | 0.75 mm ² / flexible / > 30 N |

Flexion test

| | |
|---------------|-----------------------|
| Specification | IEC 60998-2-2:2002-12 |
| Result | Test passed |

Electrical tests

Electrical properties

| | |
|-----------------------------|--------|
| Rated voltage (III/2) | 160 V |
| Rated surge voltage (III/2) | 2.5 kV |
| Pollution degree | 2 |

Temperature-rise test

| | |
|-----------------------------------|--------------------------------|
| Specification | IEC 60998-2-1:2002-12 |
| Requirement temperature-rise test | Increase in temperature ≤ 45 K |

Insulation resistance

| | |
|--|---------------------|
| Specification | IEC 60998-1:2002-12 |
| Insulation resistance, neighboring positions | > 5 MΩ |

Air clearances and creepage distances |

| | |
|--|---|
| Specification | IEC 60664-1:1992-10 + A1:2000-02 + A2:2002-05 |
| Insulating material group | IIIa |
| Comparative tracking index (IEC 60112:2003-01) | CTI 175 |
| Rated insulation voltage (III/3) | 32 V |
| Rated surge voltage (III/3) | 2.5 kV |
| minimum clearance value - non-homogenous field (III/3) | 1.5 mm |
| minimum creepage distance (III/3) | 1.3 mm |
| Rated insulation voltage (III/2) | 160 V |
| Rated surge voltage (III/2) | 2.5 kV |
| minimum clearance value - non-homogenous field (III/2) | 1.5 mm |
| minimum creepage distance (III/2) | 1.6 mm |
| Rated insulation voltage (II/2) | 160 V |
| Rated surge voltage (II/2) | 2.5 kV |
| minimum clearance value - non-homogenous field (II/2) | 1.5 mm |
| minimum creepage distance (II/2) | 1.6 mm |

Environmental and real-life conditions

Vibration test

| | |
|---------------|------------------------|
| Specification | IEC 60068-2-6:2007-12 |
| Frequency | 10 - 150 - 10 Hz |
| Sweep speed | 1 octave/min |
| Amplitude | 0.35 mm (10 - 60.1 Hz) |

PCB terminal block - PTSM 0,5/ 8-2,5-H SMD R44



1771088

<https://www.phoenixcontact.com/in/products/1771088>

| | |
|------------------------|--------------------|
| Sweep speed | 5g (60.1 - 150 Hz) |
| Test duration per axis | 2.5 h |

Glow-wire test

| | |
|------------------|---------------------|
| Specification | IEC 60998-1:2002-12 |
| Temperature | 850 °C |
| Time of exposure | 5 s |

Ambient conditions

| | |
|---|---|
| Ambient temperature (operation) | -40 °C ... 100 °C (Depending on the current carrying capacity/derating curve) |
| Ambient temperature (storage/transport) | -40 °C ... 70 °C |
| Relative humidity (storage/transport) | 30 % ... 70 % |
| Ambient temperature (assembly) | -5 °C ... 100 °C |

Packaging specifications

| | |
|-----------------------------|--|
| Type of packaging | 44 mm wide tape |
| [W] tape width | 44 mm |
| [W2] coil overall dimension | 50.4 mm |
| [A] coil diameter | 330 mm |
| Outer packaging type | Transparent-Bag |
| ESD level | (D) electrostatically conductive |
| Specification | DIN EN 61340-5-1 (VDE 0300-5-1): 2008-07 |

PCB terminal block - PTSM 0,5/ 8-2,5-H SMD R44

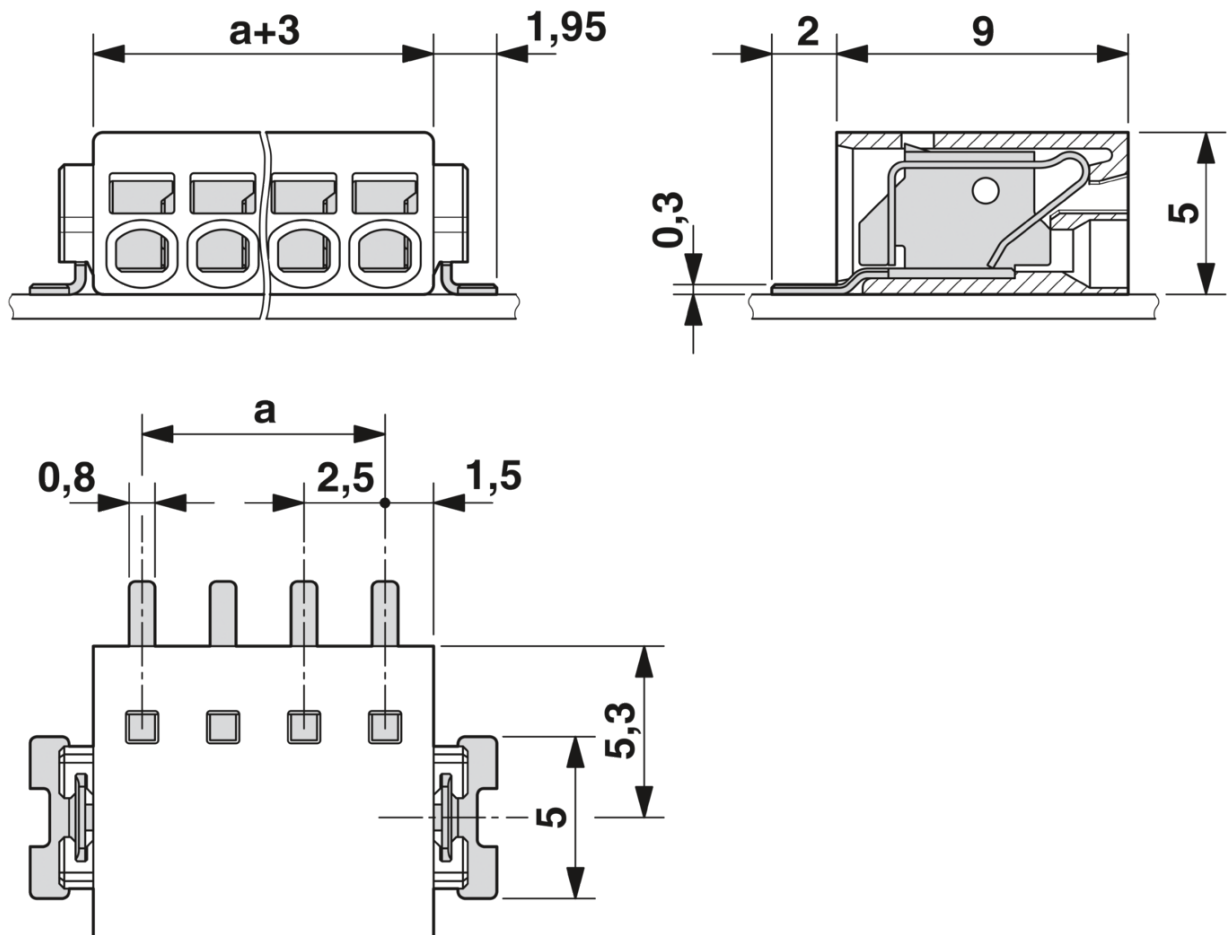


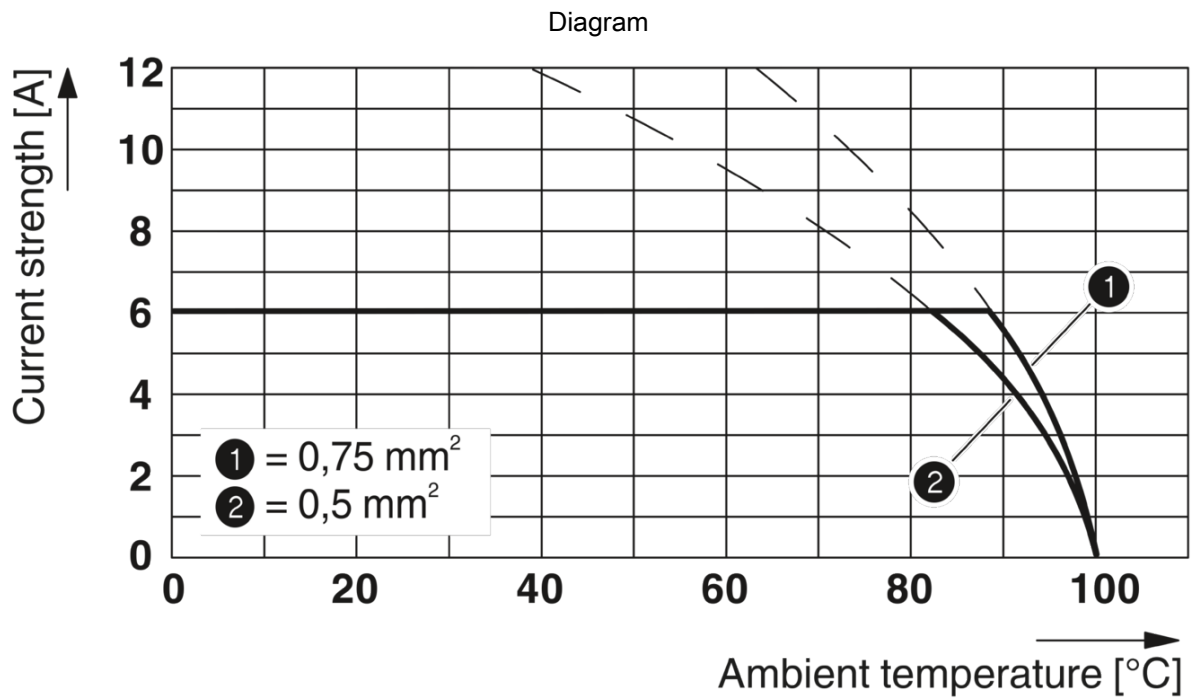
1771088

<https://www.phoenixcontact.com/in/products/1771088>

Drawings

Dimensional drawing





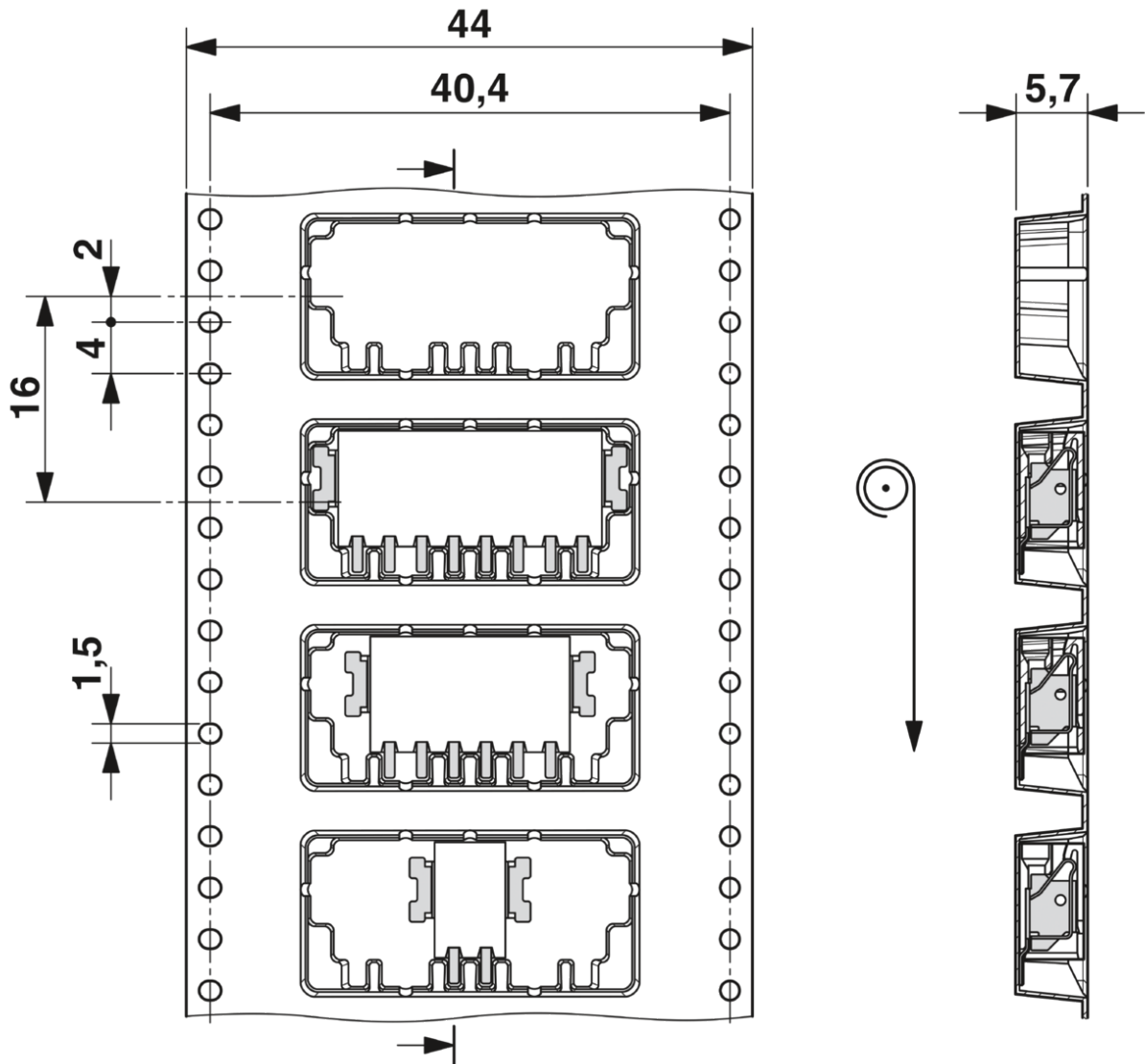
PCB terminal block - PTSM 0,5/ 8-2,5-H SMD R44

1771088

<https://www.phoenixcontact.com/in/products/1771088>

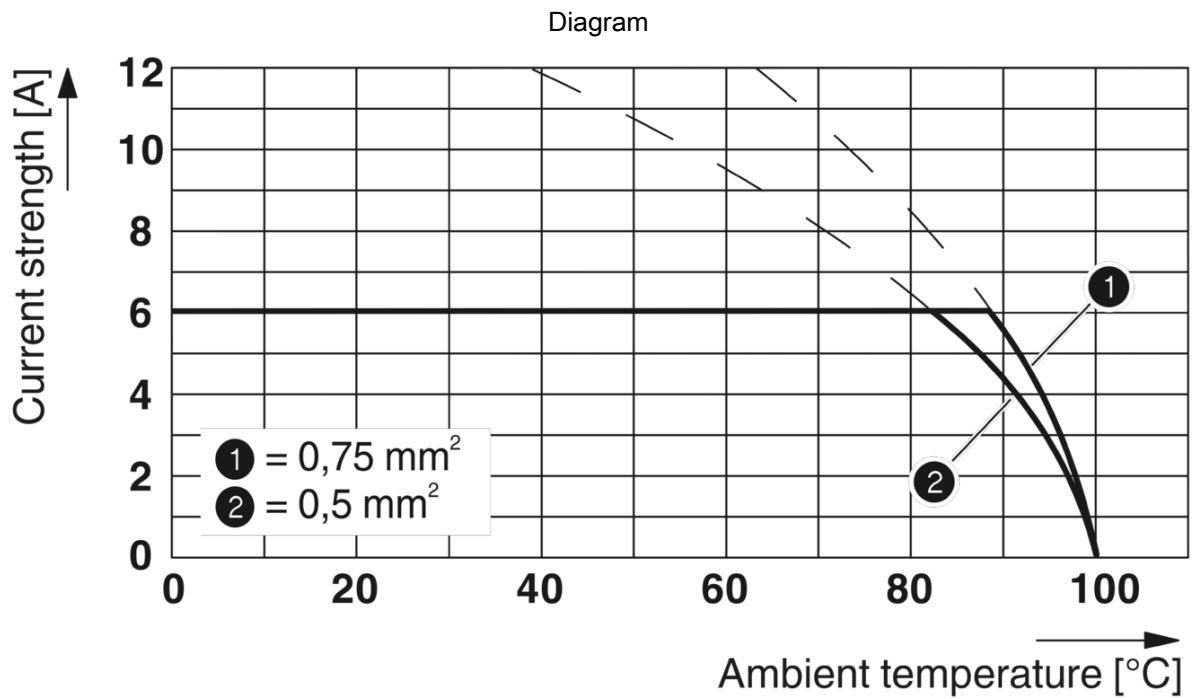


Dimensional drawing

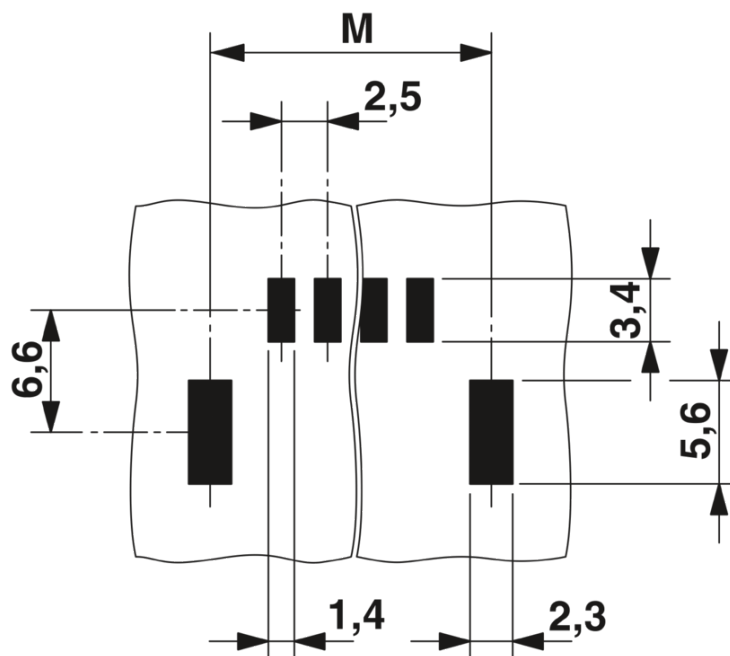


1771088

<https://www.phoenixcontact.com/in/products/1771088>



Drilling plan/solder pad geometry



Dimension M: 22.7 mm


PCB terminal block - PTSM 0,5/ 8-2,5-H SMD R44




1771088

<https://www.phoenixcontact.com/in/products/1771088>

Approvals

| UL Recognized  | Nominal Voltage U_N | Nominal Current I_N | Cross Section AWG | Cross Section mm^2 |
|---|-----------------------|-----------------------|-------------------|-----------------------------|
| Use group B | | | | |
| | 150 V | 5 A | 26 - 18 | - |

EAC

| cULus Recognized  | Nominal Voltage U_N | Nominal Current I_N | Cross Section AWG | Cross Section mm^2 |
|--|-----------------------|-----------------------|-------------------|-----------------------------|
| Use group B | | | | |
| | 150 V | 5 A | 26 - 20 | - |

VDE Zeichengenehmigung

PCB terminal block - PTSM 0,5/ 8-2,5-H SMD R44



1771088

<https://www.phoenixcontact.com/in/products/1771088>

Classifications

ECLASS

| | |
|---------------|----------|
| ECLASS-9.0 | 27440401 |
| ECLASS-10.0.1 | 27440401 |
| ECLASS-11.0 | 27460101 |

ETIM

| | |
|----------|----------|
| ETIM 6.0 | EC002643 |
|----------|----------|

UNSPSC

| | |
|-------------|----------|
| UNSPSC 19.0 | 39121432 |
| UNSPSC 20.0 | 39121432 |
| UNSPSC 21.0 | 39121432 |

PCB terminal block - PTSM 0,5/ 8-2,5-H SMD R44



1771088

<https://www.phoenixcontact.com/in/products/1771088>

Environmental Product Compliance

| | |
|------------|---|
| China RoHS | Environmentally friendly use period: unlimited = EFUP-e |
| | No hazardous substances above threshold values |

PCB terminal block - PTSM 0,5/ 8-2,5-H SMD R44



1771088

<https://www.phoenixcontact.com/in/products/1771088>

Accessories

Screwdriver

Screwdriver - SZS 0,4X2,0 - 1205202



Micro screwdriver, bladed, size: 0.4 x 2.0 x 60 mm, 2-component grip, with non-slip grip and twist cap

Ferrule

Ferrule - AI 0,25- 6 BU - 3203040



Ferrule, sleeve length: 6 mm, length: 10.5 mm, color: blue

PCB terminal block - PTSM 0,5/ 8-2,5-H SMD R44



1771088

<https://www.phoenixcontact.com/in/products/1771088>

Ferrule

Ferrule - AI 0,25- 6 YE - 3203024



Ferrule, sleeve length: 6 mm, length: 10.5 mm, color: yellow

Ferrule

Ferrule - AI 0,34- 6 TQ - 3203053



Ferrule, sleeve length: 6 mm, length: 10.5 mm, color: turquoise

PCB terminal block - PTSM 0,5/ 8-2,5-H SMD R44



1771088

<https://www.phoenixcontact.com/in/products/1771088>

Sample set

Sample set - SAMPLE PTSM 0,5/ 8-2,5-H-SMD - 1701083



PCB terminal block, nominal current: 6 A, rated voltage (III/2): 160 V, nominal cross section: 0.5 mm², number of potentials: 8, number of rows: 1, number of positions per row: 8, product range: PTSM 0,5/..-H-SMD, pitch: 2.5 mm, connection method: Push-in spring connection, mounting: SMD soldering, conductor/PCB connection direction: 0 °, color: black, Pin layout: Linear pad geometry, Solder pin [P]: 2 mm, number of solder pins per potential: 1, type of packaging: packed in cardboard. SAMPLE set with 5 items in belt section. When used as part of soldering process, please use items without SAMPLE marking

Sample set

Sample set - SAMPLE PTSM 0,5/ 2-2,5-H-SMD - 1701075



PCB terminal block, nominal current: 6 A, rated voltage (III/2): 160 V, nominal cross section: 0.5 mm², number of potentials: 2, number of rows: 1, number of positions per row: 2, product range: PTSM 0,5/..-H-SMD, pitch: 2.5 mm, connection method: Push-in spring connection, mounting: SMD soldering, conductor/PCB connection direction: 0 °, color: black, Pin layout: Linear pad geometry, Solder pin [P]: 2 mm, number of solder pins per potential: 1, type of packaging: packed in cardboard. SAMPLE set with 5 items in belt section. When used as part of soldering process, please use items without SAMPLE marking

Phoenix Contact 2022 © - all rights reserved
<https://www.phoenixcontact.com>

PHOENIX CONTACT (I) Pvt. Ltd.
A-58/2, Okhla Industrial Area, Phase - II, New Delhi-110 020

+91.1275.71420
info@phoenixcontact.co.in

单击下面可查看定价，库存，交付和生命周期等信息

[>>Phoenix Contact \(菲尼克斯\)](#)